

AC | EC

FAN 2023

THE BEST PARTNER OF YOUR BUSINESS

『斯翠可電子股份有限公司』成立於2005年，為一以專業技術、代理與研發、整合及協同行銷為經營核心之高科技DC散熱資訊技術服務公司，於2018年全面導入AC / DC / EC 之 STK 自我品牌，在台灣與大陸兩地生產製造，不論在產品之引進、產品應用方案開發與建議，以及客戶的服務上，均深獲客戶認同，讓我們擁有許多長期合作的夥伴。

『斯翠可電子』以成為『業界領先的整合性散熱資訊技術與專業服務之提供者』為目標，並擁有領先同業的銅中管設計，適用於高性能應用之產業，『提供整合性散熱資訊技術與服務，進而替客戶創造最大與最好的效益及品質』則是我們的願景。

『斯翠可電子』在台灣(工廠)、大陸(工廠)、歐洲、美國、韓國、土耳其、印度…等地均設有合作夥伴的代理服務據點，不但能深入掌握市場需求，並能及時提供各地區顧客所需之服務，貼近市場、掌握市場的脈動。優異的散熱產品與專業的服務熱忱，廣泛應用於各大產業，舉凡工業4.0、家電、醫療、娛樂、節能，以及大數據時代來臨後，需求量暴增的伺服器、電動車的充電樁跟車載產品，甚至於尚未普及的物聯網、低軌衛星...等等的趨勢產業，均提供合作夥伴客戶群，在銷售與產品競爭性等各方面，更具優勢。

Strikefan Electronic Co., Ltd established in 2005, is a high-tech AC/DC cooling fan company providing core service in thermal solution sector. With years' experience, Strikefan excel in thermal excellence. We devoted ourselves in R&D, innovation, integration, global awareness, distribution and marketing.

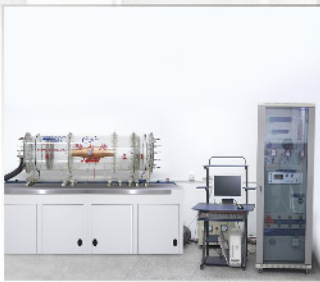
Now Strikefan have manufacturing bases in Taiwan and China while distributing agents are over Europe, America, Korea, Turkey, India and so on. Go global with clients and partners, Strikefan understands market needs and provide timely service.

Positioned as "the leading service provider in integrated thermal solution technology" and vision of creating the optimized benefits and best quality for our customers ", Strikefan has developed a leading technology for its copper tube design that applied for the industries demanding high efficiency cooling fans.

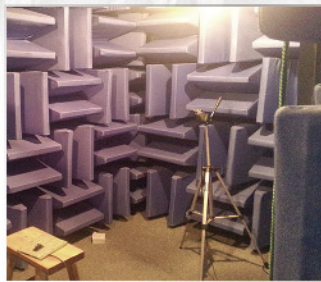
"Quality First, Service First, Customer Satisfaction" are the core value of our quality management.

Our excellent cooling products are widely used in various industries, such as industry 4.0, 5G telecom, home appliances, medical equipment, entertainment, energy saving, automotive, low orbit satellite and recent EV industry such as charging station and so on. With supreme quality products and comprehensive service, we bring out the best for both clients and partners.





Performance Test System



Noise Test System



Burn in Room



Ball Bearing Tester



Waterproof machine



Hot And Cold Shock Test Room



Balance Correction Machine



Stator Rotor Processing



Sparks



Injection Molding Machine



Assmbely 1



Assmbely 2





AC AXIAL FAN

AC Fan Part Number Coding

SA12038B2HT(x)

1 AC/EC Series

SA / SDA Axial FAN
SA Axial FANS with external rotor motor
TRT EC Axial FAN
SDC Centrifugal FAN
SF Blower FAN

2 Frame Size

60 60x60mm
80 80x80mm
92 92x92mm
110 110x110mm
120 120x120mm
150 150x150mm
150 172x151mm
151 172x151mm
172 172x151mm
225 225x225mm
280 280x280mm
133 Ø 133mm
170 Ø 170mm
172 Ø 172mm
175 Ø 175mm
190 Ø 190mm
200 Ø 200mm
220 Ø 220mm
225 Ø 225mm
250 Ø 250mm
254 Ø 254mm
300 Ø 300mm

3 Thickness

25 25mm
38 38mm
50 51mm
51 51mm
55 55mm
60 60mm
65 65mm
67 67mm
69 69mm
72 72mm
76 76mm
80 80mm
89 89mm
92 92mm
94 94mm
99 99mm
101 101mm

4 Bearing

B Ball
S Sleeve

5 Input Voltage

1 AC 115V
2 AC 220V
28 AC 280V
3 AC 380V
4 AC 440V
48 AC 480V
D AC 115 / 220V
E1 EC 115V
E2 EC 220V
E12 EC 115 / 220V
E34 EC 380 / 440V

6 FAN Speed

X Extremely high
S Super High
H High
M Medium
L Low

7 Electrical Connection

T Terminal
L Lead Wire
K Terminal Block

8 Others

U Metal Structure
(C) Capacitor
(Z) Square Frame
(7) 7 Blades
(3Ø) Tri-Phases
(E) 4-wire external capacitor
(P) Three Speed

Index

AC AXIAL FAN

A1 60x60x30mm
A2 80x80x25mm
A4 80x80x38mm
A4 92x92x25mm
A7 92x92x38mm
A9 110x110x25mm
A10 120x120x25mm
A12 120x120x38mm
A15 127x127x38mm
A16 135x135x38mm
A17 Ø 145x55mm
A18 150x150x51mm
A21 172x151x38mm
A22 172x151x51mm
A25 172x151x55mm
A26 Ø 172x51mm
A27 176x176x89mm
A27 180x180x60mm
A28 180x180x65mm
A28 200x200x60mm
A30 Ø 200x100mm
A31 205x205x72mm
A32 Ø 220x60mm
A33 225x225x80mm
A34 Ø 254x89mm
A35 280x280x80mm

AC CENTRIFUGAL FAN

B1 Ø 133x80mm
B1 Ø 170x65mm
B2 Ø 175x69mm
B2 Ø 175x89mm
B3 Ø 190x63mm
B3 Ø 190x67mm
B4 Ø 190x72mm
B4 Ø 220x76mm
B5 Ø 220x64mm
B5 Ø 225x89mm
B6 Ø 225x99mm
B6 Ø 225x101mm
B7 Ø 250x77mm
B7 Ø 250x94mm
B8 Ø 250x99mm
B8 Ø 280x71mm

AC BLOWER FAN

C1 120x120x32mm
C1 175x181x88mm
C2 220x224x95mm
C2 205x207x93mm
C3 220x244x95mm
C4 262X279X125mm
C4 404x422x180mm
C5 440x472x222mm
C5 485x526x242mm

AC OUTER ROTOR FAN

D1 Ø 300x146mm
D1 Ø 350x168mm
D2 Ø 400x185mm
D2 Ø 450x193mm
D3 Ø 500x182mm
D3 Ø 550x167mm
D4 Ø 600x217mm
D4 Ø 710x235mm

AC DUCT FAN

E1 Ø120x125mm
E2 205x205x163mm
E3 Ø195x302mm

EC AXIAL FAN

F1 60x60x25mm
F2 60x60x38mm
F3 80x80x25mm
F4 80x80x32mm
F5 80x80x38mm
F6 92x92x25mm
F7 92x92x32mm
F8 92x92x38mm
F9 120x120x25mm
F10 120x120x38mm
F11 140x140x25mm
F11 160x160x50mm
F12 172x150x51mm
F13 200x200x60mm
F14 206x206x72mm
F14 206x206x72mm
F15 Ø 254x89mm
F16 280x280x90mm

ACCESSORY

1 Metal Finger Guard
3 3 in 1 Plastic Filter Guard
5 Single Plastic Filter Guard
6 Aluminum Filter
7 Snap-on Air Filter
9 AC Cord

EC CENTRIFUGAL FAN

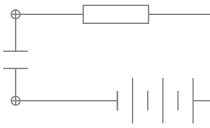
G1 Ø 175x72mm
G1 Ø 190x72mm
G2 Ø 220x72mm
G2 Ø 220x92mm
G3 Ø 225x92mm
G3 Ø 250x92mm
G4 Ø 280x92mm

EC BLOWER FAN

H1 188x188x78mm
H1 175x181x88mm
H2 226x261x95mm
H2 226x261x95mm
H3 220x244x95mm
H3 261x301x125mm
H4 405x464x140mm
H4 440x473x162mm

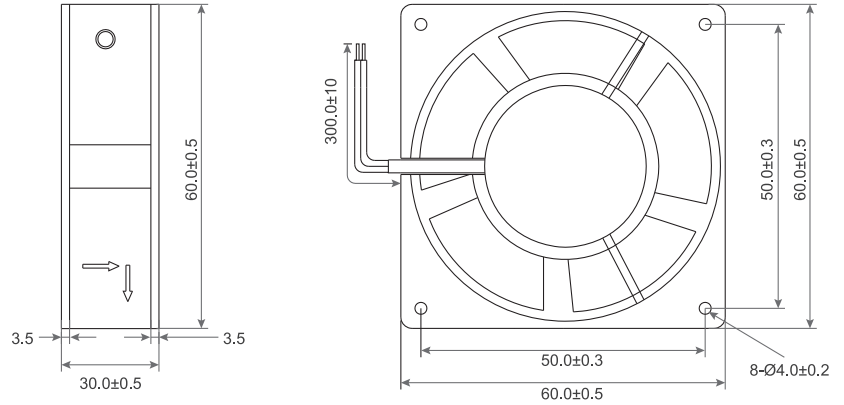
EC OUTER ROTOR FAN

J1 Ø 200x94.5mm
J1 Ø 200x101.8mm
J2 Ø 250x101.8mm
J2 Ø 300x94.5mm
J3 Ø 300x107.8mm
J3 Ø 350x104.8mm
J4 Ø 400x142mm
J4 Ø 450x142mm
J5 Ø 500x182mm
J5 Ø 550x182mm
J6 Ø 630x185mm
J6 Ø 710x353mm
J7 Ø 800x357.6mm
J7 Ø 910x347mm



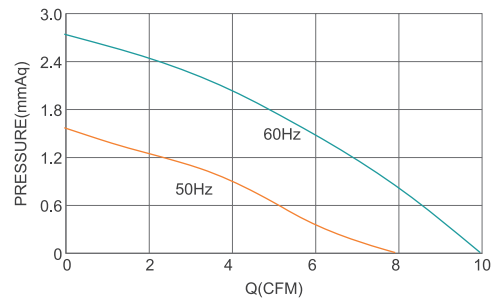
AC Axial Fan SA6030 U SERIES 60X60X30mm

DIMENSIONS DRAWING UNIT : mm



- Frame : Aluminum
外框材質：鋁框
- Impeller : Thermoplastic PBT UL 94-V0
扇葉材質：環保防火PBT
- Ingress Protection : Optional IP55
防護等級：可選擇 IP55
- Weight : 200g
風扇單體重量：200克

P&Q Curve At Rated Voltage

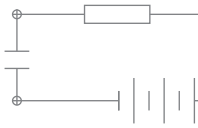


Model No.	Bearing Type	Voltage (VAC)	Frequency (Hz)	Current (A)	Power (W)	Speed (RPM)	Air Flow (CFM)	Air Flow (m ³ /min)	Air Pressure (mmH ₂ O)	Air Pressure (Inch H ₂ O)	Noise (dBA)
SA6030B1Mx	◎	120	50 / 60	0.04 / 0.03	5.0 / 4.0	2500 / 3000	7.9 / 10.0	0.22 / 0.30	0.06 / 0.10	1.6 / 2.7	26 / 27
SA6030B2Mx	◎	230	50 / 60	0.02 / 0.02	5.0 / 4.0	2500 / 3000	7.9 / 10.0	0.22 / 0.30	0.06 / 0.10	1.6 / 2.7	26 / 27
SA6030S1Mx	※	120	50 / 60	0.04 / 0.03	5.0 / 4.0	2500 / 3000	7.9 / 10.0	0.22 / 0.30	0.06 / 0.10	1.6 / 2.7	26 / 27
SA6030S2Mx	※	230	50 / 60	0.02 / 0.02	5.0 / 4.0	2500 / 3000	7.9 / 10.0	0.22 / 0.30	0.06 / 0.10	1.6 / 2.7	26 / 27

Type X could be T (Terminals) or L (Lead Wire) ◎ : Ball ※ : Sleeve

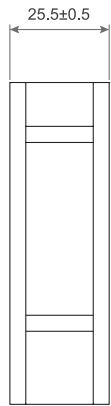
★如果您需要的轉速或電壓或功能不在這份清單上，請與我們業務聯繫 If you need another RPM or Voltage or Functions which one is not in the list, please contact us.

★產品詳細數據及功能請參閱承認書 Please see the approval sheet for more information . ★產品規格變更不另行通知 Specifications are subject to change without notice.

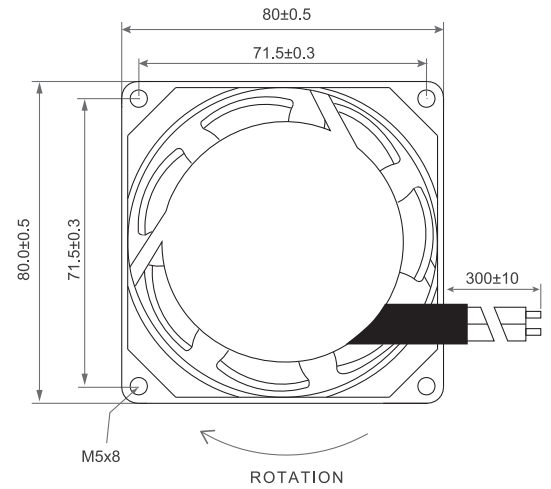


AC Axial Fan SA8025 SERIES 80X80X25mm

DIMENSIONS DRAWING UNIT : mm



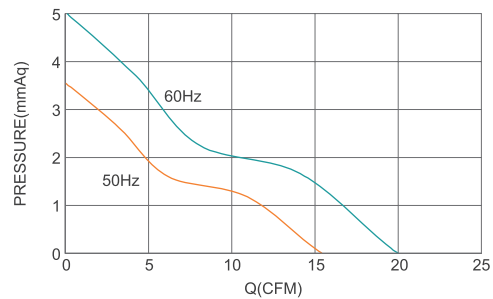
AIR FLOW ←



ROTATION ↻

- Frame : Aluminum
外框材質 : 鋁框
- Impeller : Thermoplastic PBT UL 94-V0
扇葉材質 : 環保防火PBT
- Ingress Protection : Optional IP55
防護等級 : 可選擇 IP55
- Weight : 240g
風扇單體重量 : 240克

P&Q Curve At Rated Voltage

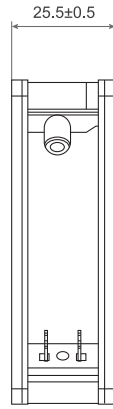
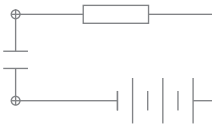


Model No.	Bearing Type	Voltage (VAC)	Frequency (Hz)	Current (A)	Power (W)	Speed (RPM)	Air Flow		Air Pressure		Noise (dBA)
							(CFM)	(m ³ /min)	(mmH ₂ O)	(Inch H ₂ O)	
SA8025B1Hx	◎	115	50 / 60	0.18 / 0.14	15.5 / 12.3	2600 / 3100	16 / 20	0.45 / 0.57	3.5 / 5.0	0.14 / 0.20	33 / 36
SA8025B1Mx	◎	115	50 / 60	0.06 / 0.05	5.3 / 4.3	2500 / 2750	15 / 18	0.42 / 0.51	3.3 / 4.1	0.13 / 0.16	32 / 33
SA8025B1Lx	◎	115	50 / 60	0.04 / 0.04	4.0 / 3.6	2150 / 2100	14 / 14	0.40 / 0.40	2.6 / 2.3	0.10 / 0.09	28 / 27
SA8025S1Hx	※	115	50 / 60	0.17 / 0.14	15.5 / 12.2	2500 / 3000	16 / 20	0.45 / 0.57	3.5 / 5.0	0.14 / 0.20	33 / 35
SA8025S1Mx	※	115	50 / 60	0.06 / 0.05	5.2 / 4.4	2300 / 2400	15 / 16	0.42 / 0.45	2.8 / 3.1	0.11 / 0.12	30 / 31
SA8025S1Lx	※	115	50 / 60	0.05 / 0.04	4.0 / 3.5	2100 / 1950	13 / 12	0.34 / 0.33	2.2 / 1.8	0.09 / 0.07	28 / 25
SA8025B2Hx	◎	220-240	50 / 60	0.07 / 0.06	12.0 / 10.0	2600 / 3100	16 / 20	0.45 / 0.57	3.5 / 5.0	0.14 / 0.20	33 / 36
SA8025B2Mx	◎	220-240	50 / 60	0.04 / 0.04	8.0 / 6.2	2400 / 2700	15 / 18	0.42 / 0.51	3.3 / 3.9	0.13 / 0.15	31 / 33
SA8025B2Lx	◎	220-240	50 / 60	0.03 / 0.02	5.1 / 4.2	2250 / 2300	14 / 14	0.40 / 0.40	2.6 / 2.6	0.10 / 0.10	28 / 28
SA8025S2Hx	※	220-240	50 / 60	0.07 / 0.06	12.4 / 10.0	2500 / 2900	16 / 20	0.45 / 0.57	3.5 / 4.5	0.14 / 0.18	32 / 34
SA8025S2Mx	※	220-240	50 / 60	0.04 / 0.03	6.6 / 5.5	2300 / 2400	15 / 15	0.42 / 0.42	2.9 / 3.3	0.11 / 0.13	30 / 31
SA8025S2Lx	※	220-240	50 / 60	0.03 / 0.02	5.2 / 4.3	1900 / 1700	12 / 11	0.34 / 0.33	1.8 / 1.3	0.07 / 0.05	25 / 23

Type X could be T (Terminals) or L (Lead Wire) ◎ : Ball ※ : Sleeve

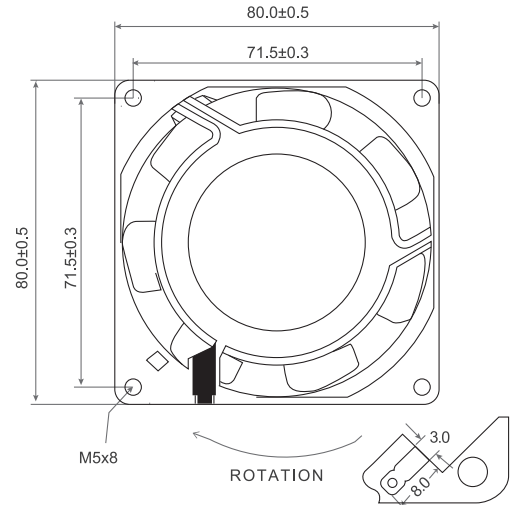
★如果您需要的轉速或電壓或功能不在這份清單上，請與我們業務聯繫 If you need another RPM or Voltage or Functions which one is not in the list, please contact us.

★產品詳細數據及功能請參閱承認書 Please see the approval sheet for more information. ★產品規格變更不另行通知 Specifications are subject to change without notice.



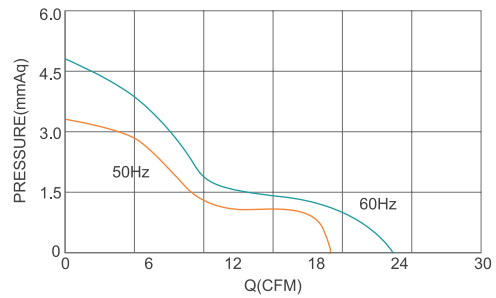
AIR FLOW

DIMENSIONS DRAWING UNIT : mm



- Frame : Aluminum
外框材質 : 鋁框
- Impeller : Thermoplastic PBT UL 94-V0
扇葉材質 : 環保防火PBT
- Ingress Protection : Optional IP55
防護等級 : 可選擇 IP55
- Weight : 240g
風扇單體重量 : 240克

P&Q Curve At Rated Voltage



Model No.	Bearing Type	Voltage (VAC)	Frequency (Hz)	Current (A)	Power (W)	Speed (RPM)	Air Flow (CFM)	Air Flow (m ³ /min)	Air Pressure (mmH ₂ O)	Air Pressure (Inch H ₂ O)	Noise (dBA)
SA8025B1Hx	◎	115	50 / 60	0.18 / 0.14	14.0 / 10.0	2600 / 3150	19 / 23	0.54 / 0.67	3.6 / 5.5	0.14 / 0.22	30 / 35
SA8025B2Hx	◎	220-240	50 / 60	0.09 / 0.07	14.0 / 10.0	2600 / 3150	19 / 23	0.54 / 0.67	3.6 / 5.5	0.14 / 0.22	30 / 35

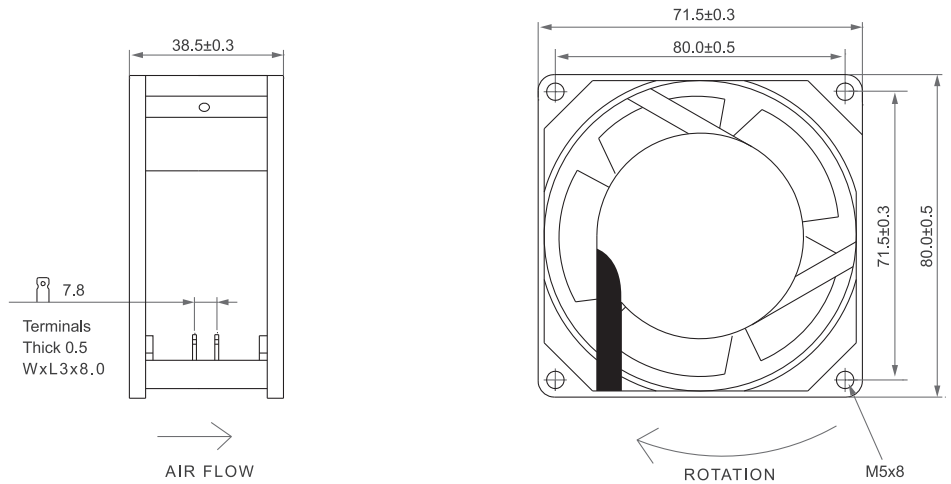
Type X could be T (Terminals) or L (Lead Wire) ◎ : Ball ※ : Sleeve

★如果您需要的轉速或電壓或功能不在這份清單上，請與我們業務聯繫 If you need another RPM or Voltage or Functions which one is not in the list, please contact us.

★產品詳細數據及功能請參閱承認書 Please see the approval sheet for more information . ★產品規格變更不另行通知 Specifications are subject to change without notice.

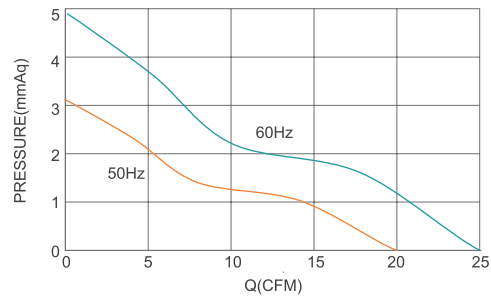
AC Axial Fan SA8038 SERIES 80X80X38mm

DIMENSIONS DRAWING UNIT : mm



- Frame : Aluminum
外框材質 : 鋁框
- Impeller : Thermoplastic PBT UL 94-V0
扇葉材質 : 環保防火PBT
- Ingress Protection : Optional IP55
防護等級 : 可選擇 IP55
- Weight : 320g
風扇單體重量 : 320克

P&Q Curve At Rated Voltage

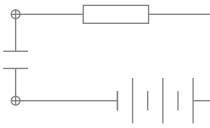


Model No.	Bearing Type	Voltage (VAC)	Frequency (Hz)	Current (A)	Power (W)	Speed (RPM)	Air Flow (CFM)	Air Flow (m ³ /min)	Air Pressure (mmH ₂ O)	Air Pressure (Inch H ₂ O)	Noise (dBA)
SA8038B1Hx	◎	115	50 / 60	0.20 / 0.15	14.0/ 9.8	2350 / 2850	20 / 25	0.57 / 0.71	3.0 / 4.6	0.12 / 0.18	34 / 37
SA8038B1Mx	◎	115	50 / 60	0.09 / 0.07	6.1/ 4.8	2300 / 2550	19 / 22	0.54 / 0.63	2.8 / 3.7	0.11 / 0.15	33 / 35
SA8038B1Lx	◎	115	50 / 60	0.07 / 0.05	5.0/ 4.0	2250 / 2350	18 / 19	0.51 / 0.54	2.6 / 3.0	0.10 / 0.12	32 / 33
SA8038S1Hx	※	115	50 / 60	0.20 / 0.15	14.0/ 9.8	2300 / 2750	19 / 24	0.54 / 0.68	2.7 / 4.1	0.11 / 0.16	33 / 36
SA8038S1Mx	※	115	50 / 60	0.09 / 0.07	6.4/ 5.2	2150 / 2250	17 / 18	0.48 / 0.51	2.5 / 3.2	0.10 / 0.13	30 / 32
SA8038S1Lx	※	115	50 / 60	0.07 / 0.05	4.8/ 4.0	2150 / 2100	17 / 16	0.48 / 0.45	2.3 / 2.7	0.09 / 0.11	30 / 29
SA8038B2Hx	◎	220-240	50 / 60	0.12 / 0.09	17.2/12.0	2400 / 2900	20 / 25	0.57 / 0.71	3.1 / 4.8	0.12 / 0.19	34 / 37
SA8038B2Mx	◎	220-240	50 / 60	0.05 / 0.04	7.0/ 5.7	2250 / 2400	18 / 20	0.51 / 0.57	2.8 / 3.7	0.11 / 0.15	32 / 34
SA8038B2Lx	◎	220-240	50 / 60	0.04 / 0.03	6.0/ 5.0	2100 / 2150	15 / 16	0.42 / 0.45	2.4 / 2.8	0.09 / 0.11	29 / 30
SA8038S2Hx	※	220-240	50 / 60	0.12 / 0.09	17.5/12.3	2200 / 2750	18 / 23	0.51 / 0.65	3.0 / 4.6	0.12 / 0.18	32 / 35
SA8038S2Mx	※	220-240	50 / 60	0.05 / 0.04	7.0/ 5.8	2100 / 2100	16 / 16	0.45 / 0.45	2.5 / 2.8	0.10 / 0.11	29 / 29
SA8038S2Lx	※	220-240	50 / 60	0.04 / 0.03	6.0/ 5.0	1900 / 1800	14 / 13	0.40 / 0.37	2.3 / 2.1	0.09 / 0.08	26 / 25

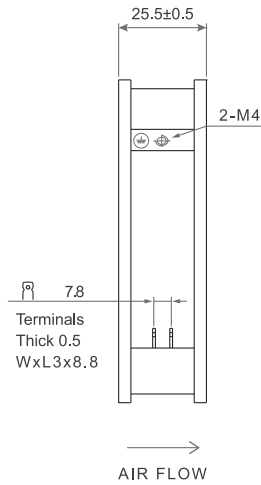
Type X could be T (Terminals) or L (Lead Wire) ◎ : Ball ※ : Sleeve

★如果您需要的轉速或電壓或功能不在這份清單上，請與我們業務聯繫 If you need another RPM or Voltage or Functions which one is not in the list, please contact us.

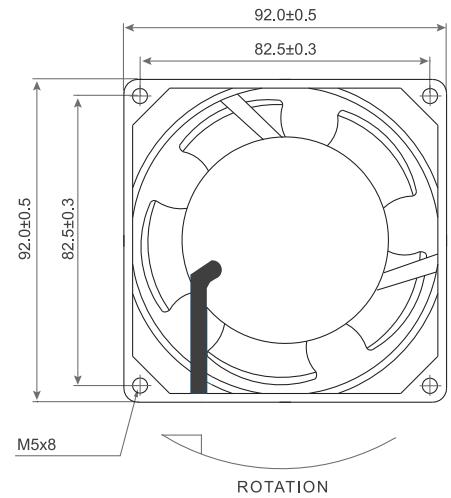
★產品詳細數據及功能請參閱承認書 Please see the approval sheet for more information. ★產品規格變更不另行通知 Specifications are subject to change without notice.



AC Axial Fan SA9225 SERIES 92X92X25mm

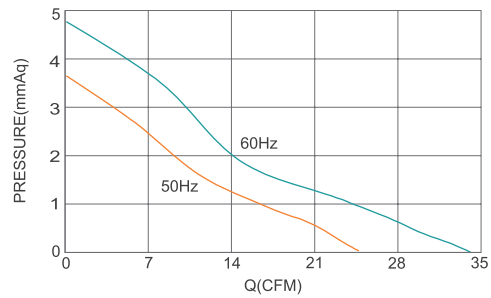


DIMENSIONS DRAWING UNIT : mm



- Frame : Aluminum
外框材質：鋁框
- Impeller : Thermoplastic PBT UL 94-V0
扇葉材質：環保防火PBT
- Ingress Protection : Optional IP55
防護等級：可選擇 IP55
- Weight : 250g
風扇單體重量：250克

P&Q Curve At Rated Voltage

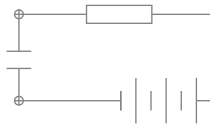


Model No.	Bearing Type	Voltage (VAC)	Frequency (Hz)	Current (A)	Power (W)	Speed (RPM)	Air Flow (CFM)	Air Flow (m ³ /min)	Air Pressure (mmH ₂ O)	Air Pressure (Inch H ₂ O)	Noise (dBA)
SA9225B1Hx	◎	115	50 / 60	0.18 / 0.15	15.5 / 12.3	2600 / 3100	25 / 34	0.71 / 0.96	3.5 / 4.8	0.14 / 0.19	34 / 37
SA9225B1Mx	◎	115	50 / 60	0.06 / 0.05	5.3 / 4.3	2400 / 2600	24 / 29	0.68 / 0.82	2.7 / 3.1	0.11 / 0.12	32 / 34
SA9225B1Lx	◎	115	50 / 60	0.04 / 0.04	4.1 / 3.7	2200 / 2200	21 / 21	0.59 / 0.59	2.1 / 1.7	0.08 / 0.07	28 / 28
SA9225S1Hx	※	115	50 / 60	0.18 / 0.15	15.6 / 12.7	2500 / 3000	24 / 32	0.68 / 0.90	3.3 / 4.5	0.13 / 0.18	33 / 36
SA9225S1Mx	※	115	50 / 60	0.09 / 0.08	7.9 / 6.4	2400 / 2700	23 / 28	0.65 / 0.80	3.1 / 3.2	0.12 / 0.13	32 / 34
SA9225S1Lx	※	115	50 / 60	0.06 / 0.05	5.3 / 4.3	2300 / 2300	22 / 22	0.62 / 0.62	2.5 / 2.0	0.10 / 0.08	29 / 29
SA9225B2Hx	◎	220-240	50 / 60	0.07 / 0.06	12.0 / 10.0	2600 / 3050	25 / 34	0.71 / 0.96	3.6 / 4.5	0.14 / 0.18	34 / 37
SA9225B2Mx	◎	220-240	50 / 60	0.05 / 0.04	8.0 / 6.4	2300 / 2500	24 / 24	0.68 / 0.68	2.5 / 2.7	0.10 / 0.11	31 / 33
SA9225B2Lx	◎	220-240	50 / 60	0.03 / 0.02	5.0 / 4.0	2100 / 2000	20 / 20	0.57 / 0.57	2.0 / 1.6	0.08 / 0.06	28 / 27
SA9225S2Hx	※	220-240	50 / 60	0.07 / 0.06	12.0 / 10.0	2500 / 2850	25 / 29	0.71 / 0.82	3.2 / 3.9	0.13 / 0.15	33 / 36
SA9225S2Mx	※	220-240	50 / 60	0.05 / 0.04	9.0 / 7.3	2300 / 2400	25 / 25	1.20 / 1.08	2.6 / 2.4	0.10 / 0.09	31 / 32
SA9225S2Lx	※	220-240	50 / 60	0.04 / 0.03	8.0 / 6.4	2100 / 2100	20 / 20	0.57 / 0.57	1.9 / 1.5	0.07 / 0.06	28 / 28

Type ◎ could be ① (Terminals) or ② (Lead Wire) ◎ : Ball ※ : Sleeve

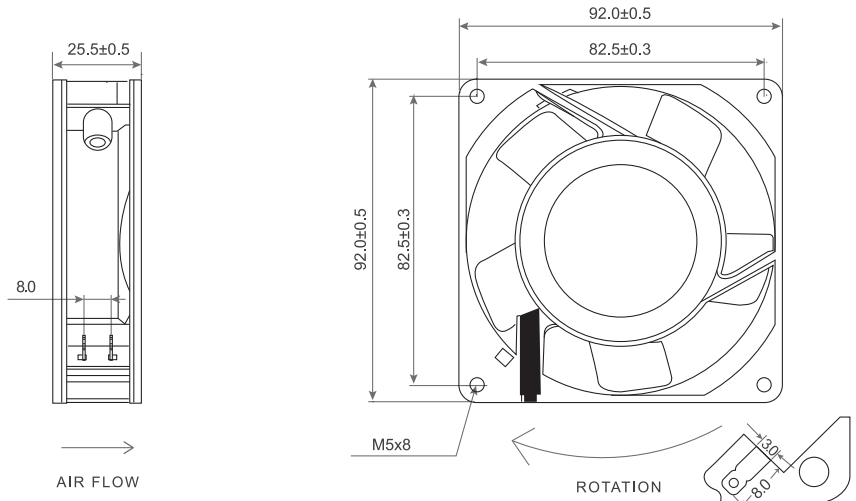
★如果您需要的轉速或電壓或功能不在這份清單上，請與我們業務聯繫 If you need another RPM or Voltage or Functions which one is not in the list, please contact us.

★產品詳細數據及功能請參閱承認書 Please see the approval sheet for more information . ★產品規格變更不另行通知 Specifications are subject to change without notice.



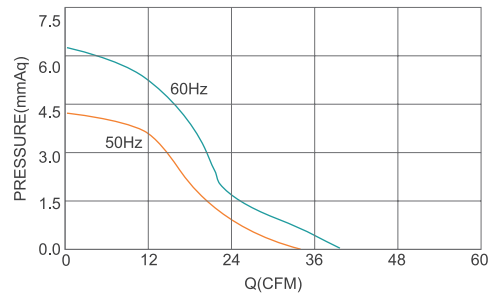
AC Axial Fan SA9225 YACOOOL SERIES 92X92X25mm

DIMENSIONS DRAWING UNIT : mm



- Frame : Aluminum
外框材質 : 鋁框
- Impeller : Thermoplastic PBT UL 94-V0
扇葉材質 : 環保防火PBT
- Ingress Protection : Optional IP55
防護等級 : 可選擇 IP55
- Weight : 260g
風扇單體重量 : 260克

P&Q Curve At Rated Voltage



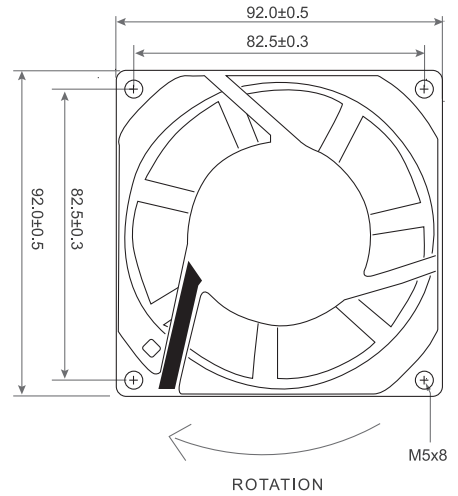
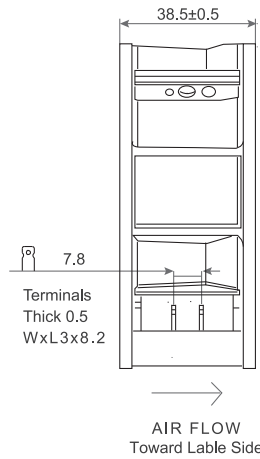
Model No.	Bearing Type	Voltage (VAC)	Frequency (Hz)	Current (A)	Power (W)	Speed (RPM)	Air Flow (CFM)	Air Flow (m ³ /min)	Air Pressure (mmH ₂ O)	Air Pressure (Inch H ₂ O)	Noise (dBA)
SA9225B1Hx	◎	115	50 / 60	0.18 / 0.14	14.0 / 10.0	2600 / 3000	33 / 40	0.93 / 1.13	4.2 / 6.1	0.17 / 0.24	32 / 46
SA9225B2Hx	◎	220-240	50 / 60	0.09 / 0.07	14.0 / 10.0	2600 / 3000	33 / 40	0.93 / 1.13	4.2 / 6.1	0.17 / 0.24	32 / 46

Type X could be T (Terminals) or L (Lead Wire) ◎ : Ball ※ : Sleeve

★如果您需要的轉速或電壓或功能不在這份清單上，請與我們業務聯繫 If you need another RPM or Voltage or Functions which one is not in the list, please contact us.

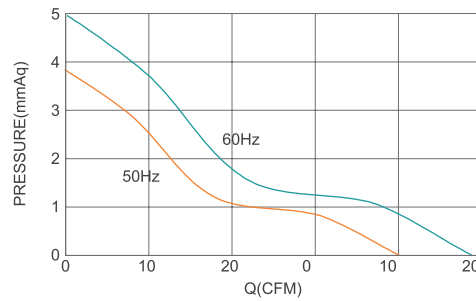
★產品詳細數據及功能請參閱承認書 Please see the approval sheet for more information . ★產品規格變更不另行通知 Specifications are subject to change without notice.

DIMENSIONS DRAWING UNIT : mm



- Frame : Aluminum
外框材質：鋁框
- Impeller : Thermoplastic PBT UL 94-V0
扇葉材質：環保防火PBT
- Ingress Protection : Optional IP55
防護等級：可選擇 IP55
- Weight : 340g
風扇單體重量：340克

P&Q Curve At Rated Voltage

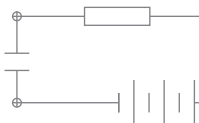


Model No.	Bearing Type	Voltage (VAC)	Frequency (HZ)	Current (A)	Power (W)	Speed (RPM)	Air Flow (CFM) (m³/min)		Air Pressure (mmH₂O) (Inch H₂O)		Noise (dBA)
SA9238B1Hx	◎	115	50 / 60	0.16 / 0.12	11.0 / 8.0	2350 / 2700	38 / 46	1.08 / 1.30	3.5 / 4.2	0.14 / 0.17	34 / 37
SA9238B1Mx	◎	115	50 / 60	0.09 / 0.07	6.5 / 5.3	2200 / 2300	35 / 37	1.00 / 1.05	2.9 / 3.0	0.11 / 0.12	32 / 33
SA9238B1Lx	◎	115	50 / 60	0.07 / 0.06	5.2 / 4.3	2100 / 2050	33 / 33	0.93 / 0.93	2.6 / 2.2	0.10 / 0.09	30 / 29
SA9238S1Hx	※	115	50 / 60	0.18 / 0.12	14.0 / 10.0	2200 / 2700	37 / 46	1.05 / 1.30	3.2 / 4.3	0.13 / 0.17	32 / 37
SA9238S1Mx	※	115	50 / 60	0.14 / 0.10	9.0 / 7.0	2050 / 2300	32 / 37	0.91 / 1.05	3.0 / 3.5	0.12 / 0.14	29 / 33
SA9238S1Lx	※	115	50 / 60	0.09 / 0.08	6.7 / 5.5	1950 / 1900	31 / 30	0.88 / 0.85	2.3 / 2.0	0.09 / 0.08	28 / 27
SA9238B2Hx	◎	220-240	50 / 60	0.10 / 0.07	14.0 / 10.0	2400 / 2800	40 / 48	1.13 / 1.36	3.8 / 5.0	0.15 / 0.20	35 / 38
SA9238B2Mx	◎	220-240	50 / 60	0.05 / 0.04	7.5 / 6.0	2200 / 2350	38 / 40	1.08 / 1.13	3.2 / 3.3	0.13 / 0.13	33 / 35
SA9238B2Lx	◎	220-240	50 / 60	0.04 / 0.04	6.5 / 5.5	2050 / 2100	33 / 34	0.93 / 0.96	2.7 / 2.3	0.11 / 0.09	29 / 30
SA9238S2Hx	※	220-240	50 / 60	0.10 / 0.07	14.0 / 10.0	2250 / 2650	38 / 45	1.08 / 1.27	3.5 / 4.4	0.14 / 0.17	33 / 37
SA9238S2Mx	※	220-240	50 / 60	0.05 / 0.04	7.5 / 6.0	2000 / 2000	33 / 33	0.93 / 0.93	2.4 / 2.4	0.09 / 0.09	29 / 29
SA9238S2Lx	※	220-240	50 / 60	0.04 / 0.04	6.5 / 5.5	1900 / 1800	32 / 30	0.90 / 0.85	2.1 / 1.8	0.08 / 0.07	28 / 27

Type ◎ could be ① (Terminals) or ② (Lead Wire) ◎ : Ball ※ : Sleeve

★如果您需要的轉速或電壓或功能不在這份清單上，請與我們業務聯繫 If you need another RPM or Voltage or Functions which one is not in the list, please contact us.

★產品詳細數據及功能請參閱承認書 Please see the approval sheet for more information . ★產品規格變更不另行通知 Specifications are subject to change without notice.

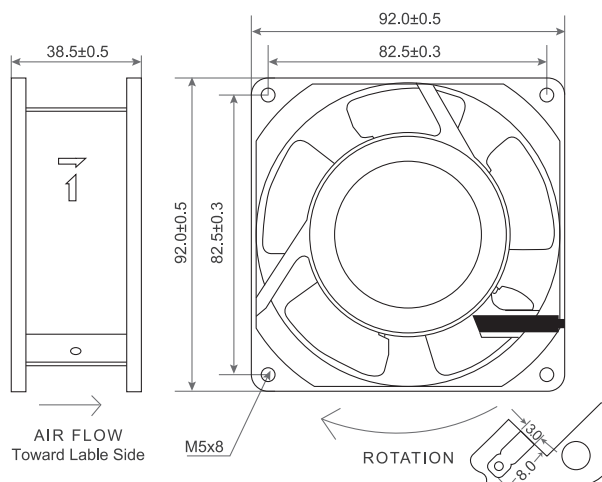
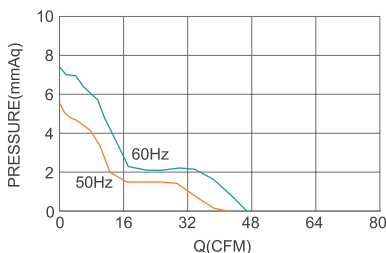


AC Axial Fan SA9238 YACOOOL SERIES 92X92X38mm

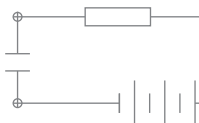


- Frame : Aluminum
外框材質：鋁框
- Impeller : Thermoplastic PBT UL 94-V0
扇葉材質：環保防火PBT
- Ingress Protection : Optional IP55
防護等級：可選擇 IP55
- Weight : 430g
風扇單體重量：430克

P&Q Curve At Rated Voltage



Model No.	Bearing Type	Voltage (VAC)	Frequency (HZ)	Current (A)	Power (W)	Speed (RPM)	Air Flow (CFM)	Air Flow (m ³ /min)	Air Pressure (mmH ₂ O)	Air Pressure (Inch H ₂ O)	Noise (dBA)
SA9238B1Hx	◎	115	50 / 60	0.25 / 0.18	15.0 / 11.0	2800 / 3300	40 / 47	1.18 / 1.33	5.5 / 7.4	0.22 / 0.29	38 / 43
SA9238B2Hx	◎	220-240	50 / 60	0.13 / 0.10	15.0 / 11.0	2800 / 3300	40 / 50	1.15 / 1.42	5.9 / 8.3	0.23 / 0.33	38 / 43

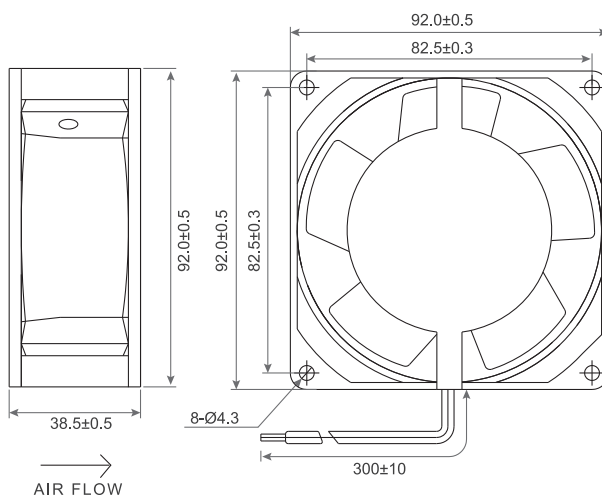
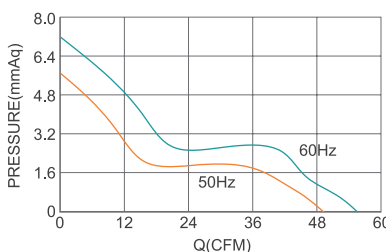


AC Axial Fan SA9238 U SERIES 92X92X38mm



- Frame : Aluminum
外框材質：鋁框
- Impeller : Metal
扇葉材質：金屬葉
- Ingress Protection : Optional IP55
防護等級：可選擇 IP55
- Weight : 470g
風扇單體重量：470克

P&Q Curve At Rated Voltage

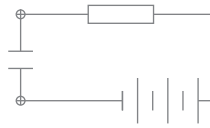


Model No.	Bearing Type	Voltage (VAC)	Frequency (HZ)	Current (A)	Power (W)	Speed (RPM)	Air Flow (CFM)	Air Flow (m ³ /min)	Air Pressure (mmH ₂ O)	Air Pressure (Inch H ₂ O)	Noise (dBA)
SA9238B1Hx	◎	115	50 / 60	0.25 / 0.24	16.0 / 14.0	2790 / 3240	49 / 56	1.39 / 1.57	5.7 / 7.1	0.22 / 0.28	42 / 48
SA9238S1Hx	※	115	50 / 60	0.25 / 0.24	16.0 / 14.0	2790 / 3240	49 / 56	1.39 / 1.57	5.7 / 7.1	0.22 / 0.28	42 / 48
SA9238B2Hx	◎	220	50 / 60	0.08 / 0.06	12.0 / 12.8	2790 / 3240	49 / 56	1.39 / 1.57	5.7 / 7.1	0.22 / 0.28	42 / 48
SA9238S2Hx	※	220	50 / 60	0.08 / 0.06	12.0 / 12.8	2790 / 3240	49 / 56	1.39 / 1.57	5.7 / 7.1	0.22 / 0.28	42 / 48

Type X could be T (Terminals) or L (Lead Wire) ◎ : Ball ※ : Sleeve

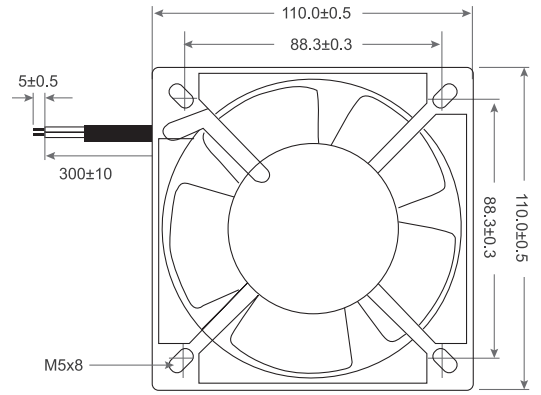
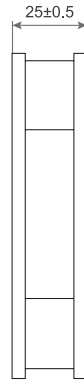
★如果您需要的轉速或電壓或功能不在這份清單上，請與我們業務聯繫 If you need another RPM or Voltage or Functions which one is not in the list, please contact us.

★產品詳細數據及功能請參閱承認書 Please see the approval sheet for more information . ★產品規格變更不另行通知 Specifications are subject to change without notice.



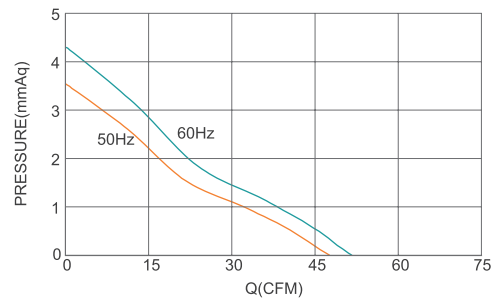
AC Axial Fan SA11025 SERIES 110X110X25mm

DIMENSIONS DRAWING UNIT : mm



- Frame : Aluminum
外框材質：鋁框
- Impeller : Thermoplastic PBT UL 94-V0
扇葉材質：環保防火PBT
- Ingress Protection : Optional IP55
防護等級：可選擇 IP55
- Weight : 270g
風扇單體重量：270克

P&Q Curve At Rated Voltage

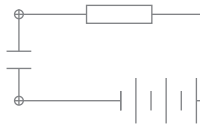


Model No.	Bearing Type	Voltage (VAC)	Frequency (Hz)	Current (A)	Power (W)	Speed (RPM)	Air Flow (CFM)	Air Flow (m ³ /min)	Air Pressure (mmH ₂ O)	Air Pressure (Inch H ₂ O)	Noise (dBA)
SA11025B1HL	◎	115	50 / 60	0.18 / 0.15	16.0 / 13.0	2250 / 2550	47 / 51	1.33 / 1.44	3.5 / 4.3	0.14 / 0.17	33 / 36
SA11025B1ML	◎	115	50 / 60	0.12 / 0.10	10.3 / 8.6	2100 / 2200	43 / 46	1.22 / 1.30	3.1 / 3.0	0.12 / 0.12	32 / 33
SA11025B1LL	◎	115	50 / 60	0.09 / 0.08	8.1 / 6.8	2000 / 2000	42 / 42	1.20 / 1.20	2.7 / 2.4	0.11 / 0.09	31 / 31
SA11025S1HL	※	115	50 / 60	0.17 / 0.16	16.0 / 14.3	2100 / 2300	46 / 46	1.30 / 1.30	3.2 / 3.5	0.13 / 0.14	32 / 34
SA11025S1ML	※	115	50 / 60	0.12 / 0.10	10.5 / 8.8	2000 / 2000	43 / 43	1.22 / 1.22	2.6 / 2.3	0.10 / 0.09	31 / 31
SA11025S1LL	※	115	50 / 60	0.09 / 0.08	8.1 / 7.0	1850 / 1750	42 / 38	1.20 / 1.08	2.4 / 1.9	0.09 / 0.07	28 / 27
SA11025B2HL	◎	220-240	50 / 60	0.10 / 0.08	18.0 / 14.0	2250 / 2550	47 / 51	1.33 / 1.44	3.8 / 4.0	0.15 / 0.16	33 / 36
SA11025B2ML	◎	220-240	50 / 60	0.06 / 0.05	10.1 / 8.3	2050 / 2000	42 / 42	1.20 / 1.20	3.0 / 2.5	0.12 / 0.10	30 / 30
SA11025B2LL	◎	220-240	50 / 60	0.04 / 0.03	7.0 / 6.0	1850 / 1650	38 / 33	1.08 / 0.93	2.3 / 1.5	0.09 / 0.06	28 / 26
SA11025S2HL	※	220-240	50 / 60	0.10 / 0.08	18.0 / 14.0	2100 / 2300	42 / 52	1.20 / 1.47	3.0 / 3.6	0.12 / 0.14	31 / 33
SA11025S2ML	※	220-240	50 / 60	0.06 / 0.05	10.0 / 8.3	1900 / 1750	42 / 38	1.20 / 1.08	2.4 / 2.0	0.09 / 0.08	29 / 28
SA11025S2LL	※	220-240	50 / 60	0.05 / 0.04	8.0 / 6.8	1600 / 1400	33 / 29	0.98 / 0.82	1.8 / 1.3	0.07 / 0.05	26 / 22

Type X could be T (Terminals) or L (Lead Wire) ◎ : Ball ※ : Sleeve

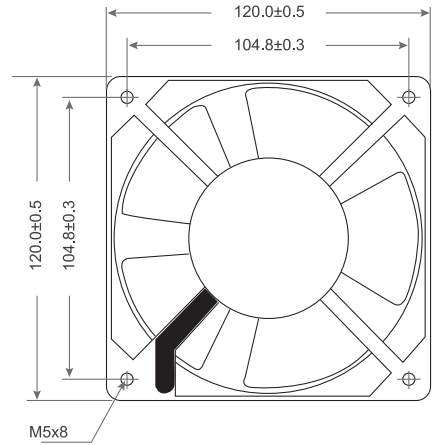
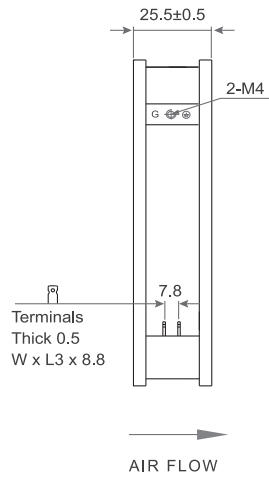
★如果您需要的轉速或電壓或功能不在這份清單上，請與我們業務聯繫 If you need another RPM or Voltage or Functions which one is not in the list, please contact us.

★產品詳細數據及功能請參閱承認書 Please see the approval sheet for more information . ★產品規格變更不另行通知 Specifications are subject to change without notice.



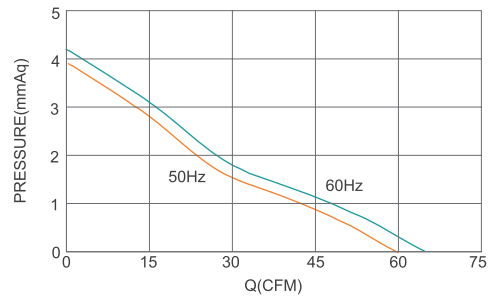
AC Axial Fan SA12025 SERIES 120X120X25mm

DIMENSIONS DRAWING UNIT : mm



- Frame : Aluminum
外框材質：鋁框
- Impeller : Thermoplastic PBT UL 94-V0
扇葉材質：環保防火PBT
- Ingress Protection : Optional IP55
防護等級：可選擇 IP55
- Weight : 280g
風扇單體重量：280克

P&Q Curve At Rated Voltage



Model No.	Bearing Type	Voltage (VAC)	Frequency (Hz)	Current (A)	Power (W)	Speed (RPM)	Air Flow (CFM)	Air Flow (m ³ /min)	Air Pressure (mmH ₂ O)	Air Pressure (Inch H ₂ O)	Noise (dBA)
SA12025B1Hx	⊙	115	50 / 60	0.18 / 0.15	16.0 / 13.0	2250 / 2450	60 / 64	1.70 / 1.81	3.3 / 3.6	0.13 / 0.14	34 / 37
SA12025B1Mx	⊙	115	50 / 60	0.12 / 0.10	10.3 / 8.6	2050 / 2100	56 / 60	1.44 / 1.70	3.1 / 2.6	0.12 / 0.10	32 / 33
SA12025B1Lx	⊙	115	50 / 60	0.09 / 0.08	8.2 / 7.0	2000 / 1900	55 / 51	1.56 / 1.44	2.6 / 2.1	0.10 / 0.08	32 / 31
SA12025S1Hx	※	115	50 / 60	0.17 / 0.15	16.0 / 13.4	2000 / 2150	56 / 60	1.44 / 1.70	3.0 / 3.0	0.12 / 0.12	32 / 33
SA12025S1Mx	※	115	50 / 60	0.12 / 0.10	10.5 / 9.0	1850 / 1750	55 / 51	1.56 / 1.44	2.5 / 1.9	0.10 / 0.07	30 / 29
SA12025S1Lx	※	115	50 / 60	0.09 / 0.08	8.2 / 7.1	1700 / 1550	51 / 47	1.44 / 1.33	2.1 / 1.6	0.08 / 0.06	28 / 26
SA12025B2Hx	⊙	220-240	50 / 60	0.10 / 0.09	18.0 / 14.0	2250 / 2500	60 / 64	1.70 / 1.81	3.8 / 4.1	0.15 / 0.16	34 / 37
SA12025B2Mx	⊙	220-240	50 / 60	0.06 / 0.05	9.8 / 8.2	2050 / 2000	53 / 52	1.50 / 1.47	2.6 / 2.0	0.10 / 0.08	32 / 32
SA12025B2Lx	⊙	220-240	50 / 60	0.04 / 0.04	7.8 / 6.8	1850 / 1700	50 / 47	1.42 / 1.33	2.0 / 1.5	0.08 / 0.06	30 / 28
SA12025S2Hx	※	220-240	50 / 60	0.10 / 0.08	18.0 / 14.0	2250 / 2100	56 / 60	1.60 / 1.70	3.3 / 3.0	0.13 / 0.12	34 / 33
SA12025S2Mx	※	220-240	50 / 60	0.06 / 0.05	10.0 / 8.3	1800 / 1700	51 / 47	1.44 / 1.33	2.0 / 1.7	0.08 / 0.07	29 / 28
SA12025S2Lx	※	220-240	50 / 60	0.05 / 0.04	8.1 / 6.9	1600 / 1350	43 / 38	1.21 / 1.08	1.6 / 1.3	0.06 / 0.05	26 / 22

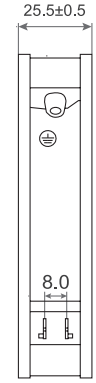
Type ⊗ could be ⊕ (Terminals) or ⊖ (Lead Wire) ⊙ : Ball ※ : Sleeve

★如果您需要的轉速或電壓或功能不在這份清單上，請與我們業務聯繫 If you need another RPM or Voltage or Functions which one is not in the list, please contact us.

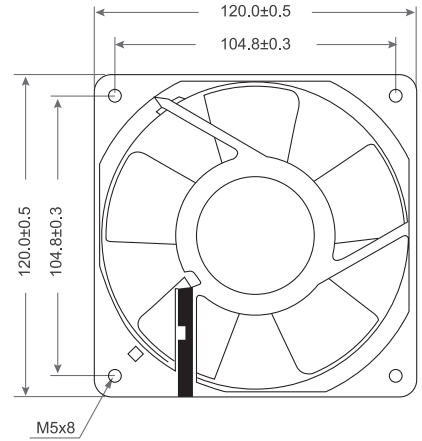
★產品詳細數據及功能請參閱承認書 Please see the approval sheet for more information. ★產品規格變更不另行通知 Specifications are subject to change without notice. ■ A10



DIMENSIONS DRAWING UNIT : mm

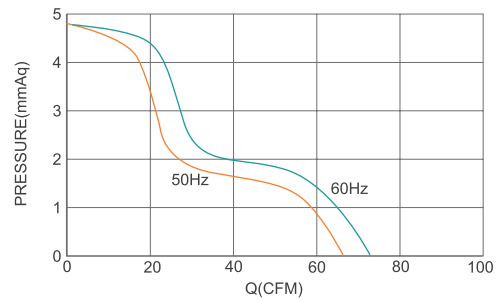


AIR FLOW →



- Frame : Aluminum
外框材質：鋁框
- Impeller : Thermoplastic PBT UL 94-V0
扇葉材質：環保防火PBT
- Ingress Protection : Optional IP55
防護等級：可選擇 IP55
- Weight : 320g
風扇單體重量：320克

P&Q Curve At Rated Voltage

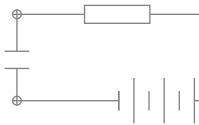


Model No.	Bearing Type	Voltage (VAC)	Frequency (Hz)	Current (A)	Power (W)	Speed (RPM)	Air Flow (CFM)	Air Flow (m ³ /min)	Air Pressure (mmH ₂ O)	Air Pressure (Inch H ₂ O)	Noise (dBA)
SA12025B1Hx	◎	115	50 / 60	0.18 / 0.14	14.0 / 11.0	2400 / 2800	61 / 70	1.73 / 1.98	4.7 / 4.7	0.19 / 0.19	38 / 42
SA12025B2Hx	◎	220-240	50 / 60	0.09 / 0.07	14.5 / 11.0	2450 / 2800	62 / 70	1.76 / 1.98	4.7 / 4.7	0.19 / 0.19	38 / 42

Type X could be T (Terminals) or L (Lead Wire) ◎ : Ball ※ : Sleeve

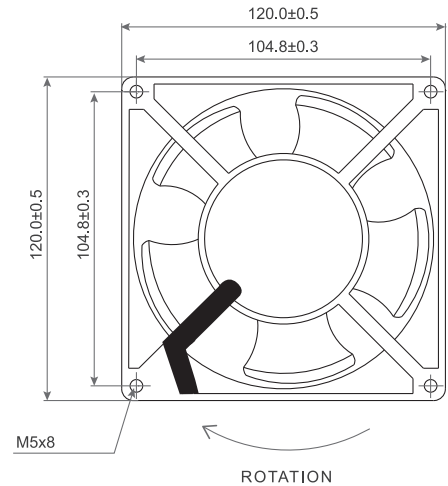
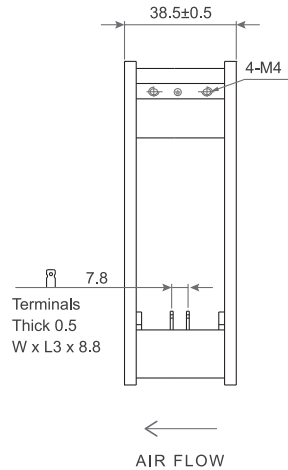
★如果您需要的轉速或電壓或功能不在這份清單上，請與我們業務聯繫 If you need another RPM or Voltage or Functions which one is not in the list, please contact us.

■ A11 ★產品詳細數據及功能請參閱承認書 Please see the approval sheet for more information . ★產品規格變更不另行通知 Specifications are subject to change without notice.



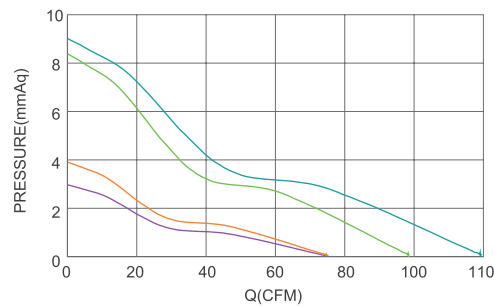
AC Axial Fan SA12038 5V SERIES 120X120X38mm

DIMENSIONS DRAWING UNIT : mm



- Frame : Aluminum
外框材質 : 鋁框
- Impeller : Thermoplastic PBT UL 94-V0
扇葉材質 : 環保防火PBT
- Ingress Protection : Optional IP55
防護等級 : 可選擇 IP55
- Weight : 480g
風扇單體重量 : 480克

P&Q Curve At Rated Voltage

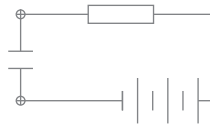


Model No.	Bearing Type	Voltage (VAC)	Frequency (Hz)	Current (A)	Power (W)	Speed (RPM)	Air Flow (CFM)	Air Flow (m ³ /min)	Air Pressure (mmH ₂ O)	Air Pressure (Inch H ₂ O)	Noise (dBA)
SA12038B1Hx	◎	115	50 / 60	0.26 / 0.22	20.0 / 17.0	2650 / 3050	95 / 110	2.69 / 3.11	8.6 / 9.2	0.33 / 0.36	42 / 45
SA12038B1Mx	◎	115	50 / 60	0.14 / 0.13	11.0 / 10.0	2450 / 2300	85 / 85	2.41 / 2.41	6.0 / 3.7	0.24 / 0.15	40 / 39
SA12038B1Lx	◎	115	50 / 60	0.16 / 0.14	10.0 / 9.0	2200 / 2000	75 / 75	2.12 / 2.12	3.9 / 3.1	0.15 / 0.12	38 / 35
SA12038S1Hx	※	115	50 / 60	0.26 / 0.22	20.0 / 17.0	2650 / 3050	95 / 110	2.69 / 3.11	8.6 / 9.2	0.33 / 0.36	42 / 45
SA12038S1Mx	※	115	50 / 60	0.15 / 0.14	12.0 / 11.0	2450 / 2300	85 / 85	2.41 / 2.41	6.0 / 3.7	0.24 / 0.15	40 / 39
SA12038S1Lx	※	115	50 / 60	0.14 / 0.13	11.0 / 10.0	2200 / 2000	75 / 75	2.12 / 2.12	3.9 / 3.1	0.15 / 0.12	38 / 35
SA12038B2Hx	◎	220-240	50 / 60	0.13 / 0.11	18.0 / 16.0	2650 / 3050	95 / 110	2.69 / 3.11	8.6 / 9.2	0.33 / 0.36	42 / 45
SA12038B2Mx	◎	220-240	50 / 60	0.09 / 0.08	15.0 / 14.0	2450 / 2300	85 / 85	2.41 / 2.41	6.0 / 3.7	0.24 / 0.15	40 / 39
SA12038B2Lx	◎	220-240	50 / 60	0.06 / 0.05	11.0 / 9.0	2200 / 2000	75 / 75	2.12 / 2.12	3.9 / 3.1	0.15 / 0.12	38 / 35
SA12038S2Hx	※	220-240	50 / 60	0.13 / 0.11	18.0 / 16.0	2650 / 3050	95 / 110	2.69 / 3.11	8.6 / 9.2	0.33 / 0.36	42 / 45
SA12038S2Mx	※	220-240	50 / 60	0.09 / 0.08	15.0 / 14.0	2450 / 2300	85 / 85	2.41 / 2.41	6.0 / 3.7	0.24 / 0.15	40 / 39
SA12038S2Lx	※	220-240	50 / 60	0.07 / 0.07	13.0 / 12.0	2200 / 2000	75 / 75	2.12 / 2.12	3.9 / 3.1	0.15 / 0.12	38 / 35

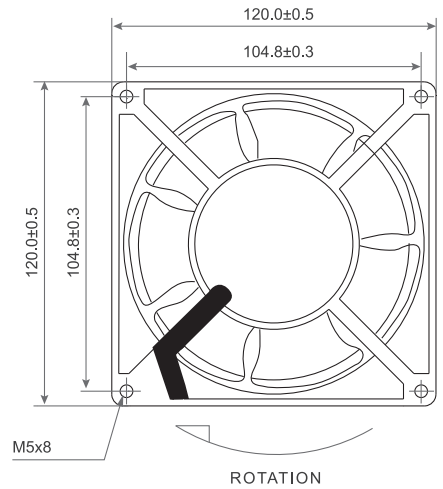
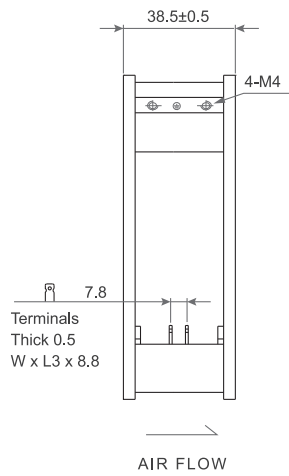
Type X could be T (Terminals) or L (Lead Wire) ◎ : Ball ※ : Sleeve

★如果您需要的轉速或電壓或功能不在這份清單上，請與我們業務聯繫 If you need another RPM or Voltage or Functions which one is not in the list, please contact us.

★產品詳細數據及功能請參閱承認書 Please see the approval sheet for more information. ★產品規格變更不另行通知 Specifications are subject to change without notice. ■ A12

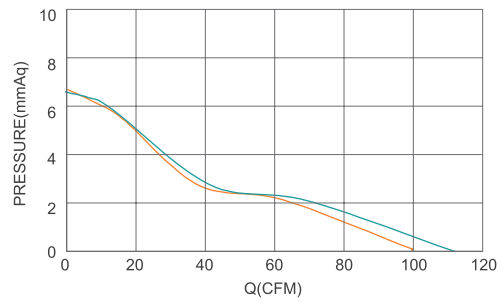


AC Axial Fan SA12038 7V SERIES 120X120X38mm



- Frame : Aluminum
外框材質：鋁框
- Impeller : Thermoplastic PBT UL 94-V0
扇葉材質：環保防火PBT
- Ingress Protection : Optional IP55
防護等級：可選擇 IP55
- Weight : 530g
風扇單體重量：530克

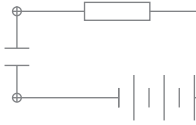
P&Q Curve At Rated Voltage



Model No.	Bearing Type	Voltage (VAC)	Frequency (Hz)	Current (A)	Power (W)	Speed (RPM)	Air Flow (CFM)	Air Flow (m ³ /min)	Air Pressure (mmH ₂ O)	Air Pressure (Inch H ₂ O)	Noise (dBA)
SA12038B1Hx	◎	115	50 / 60	0.24 / 0.21	19 / 17	2550 / 2700	100 / 112	2.83 / 3.17	6.7 / 6.7	0.26 / 0.26	42 / 45
SA12038B1Mx	◎	115	50 / 60	0.19 / 0.17	15 / 14	2350 / 2200	90 / 85	2.55 / 2.41	5.7 / 4.1	0.22 / 0.16	40 / 39
SA12038B1Lx	◎	115	50 / 60	0.16 / 0.15	13 / 12	2100 / 2000	82 / 76	2.32 / 2.15	3.9 / 3.1	0.15 / 0.12	37 / 35
SA12038S1Hx	※	115	50 / 60	0.25 / 0.22	19 / 17	2550 / 2700	100 / 112	2.83 / 3.17	6.7 / 6.7	0.26 / 0.26	42 / 45
SA12038S1Mx	※	115	50 / 60	0.22 / 0.20	17 / 16	2350 / 2200	90 / 85	2.55 / 2.41	5.7 / 4.1	0.22 / 0.16	40 / 39
SA12038S1Lx	※	115	50 / 60	0.17 / 0.16	13 / 12	2100 / 2000	82 / 76	2.32 / 2.15	3.9 / 3.1	0.15 / 0.12	37 / 35
SA12038B2Hx	◎	220-240	50 / 60	0.14 / 0.12	21 / 18	2550 / 2700	100 / 112	2.83 / 3.17	6.7 / 6.7	0.26 / 0.26	42 / 45
SA12038B2Mx	◎	220-240	50 / 60	0.10 / 0.09	15 / 14	2350 / 2200	90 / 85	2.55 / 2.41	5.7 / 4.1	0.22 / 0.16	40 / 39
SA12038B2Lx	◎	220-240	50 / 60	0.09 / 0.08	13 / 12	2100 / 2000	82 / 76	2.32 / 2.15	3.9 / 3.1	0.15 / 0.12	37 / 35
SA12038S2Hx	※	220-240	50 / 60	0.13 / 0.11	19 / 17	2550 / 2700	100 / 112	2.83 / 3.17	6.7 / 6.7	0.26 / 0.26	42 / 45
SA12038S2Mx	※	220-240	50 / 60	0.08 / 0.07	12 / 11	2350 / 2200	90 / 85	2.55 / 2.41	5.7 / 4.1	0.22 / 0.16	40 / 39
SA12038S2Lx	※	220-240	50 / 60	0.07 / 0.06	11 / 10	2100 / 2000	82 / 76	2.32 / 2.15	3.9 / 3.1	0.15 / 0.12	37 / 35

Type X could be T (Terminals) or L (Lead Wire) ◎ : Ball ※ : Sleeve

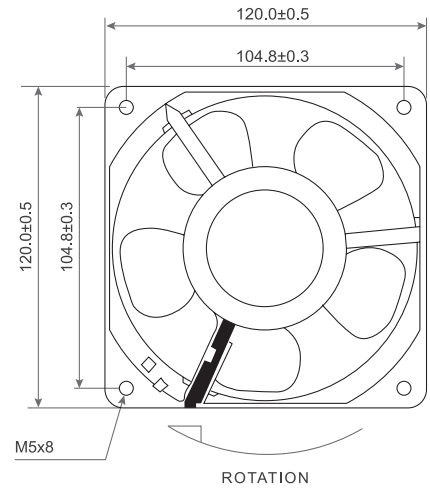
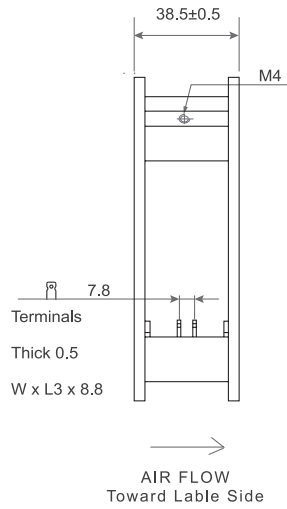
★如果您需要的轉速或電壓或功能不在這份清單上，請與我們業務聯繫 If you need another RPM or Voltage or Functions which one is not in the list, please contact us.



AC Axial Fan

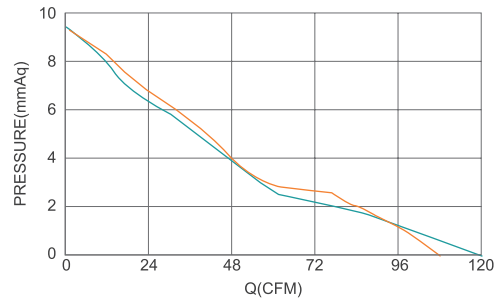
SA12038 YACOOOL SERIES 120X120X38mm

DIMENSIONS DRAWING UNIT : mm



- Frame : Aluminum
外框材質 : 鋁框
- Impeller : Thermoplastic PBT UL 94-V0
扇葉材質 : 環保防火PBT
- Ingress Protection : Optional IP55
防護等級 : 可選擇 IP55
- Weight : 530g
風扇單體重量 : 530克

P&Q Curve At Rated Voltage



Model No.	Bearing Type	Voltage (VAC)	Frequency (Hz)	Current (A)	Power (W)	Speed (RPM)	Air Flow (CFM)	Air Flow (m ³ /min)	Air Pressure (mmH ₂ O)	Air Pressure (Inch H ₂ O)	Noise (dBA)
SA12038B1Hx	◎	115	50 / 60	0.25 / 0.18	15.0 / 12.5	2700 / 3100	108 / 120	3.05 / 3.39	9.36 / 9.36	0.37 / 0.37	45 / 48
SA12038B2Hx	◎	220-240	50 / 60	0.13 / 0.10	16.0 / 14.0	2700 / 3100	108 / 120	3.05 / 3.39	9.36 / 9.36	0.37 / 0.37	45 / 48
SA12038B3Hx	◎	380	50	0.07	15.0	2700	93	2.63	8.40	0.33	45

Type X could be T (Terminals) or L (Lead Wire) ◎ : Ball ※ : Sleeve

★如果您需要的轉速或電壓或功能不在這份清單上，請與我們業務聯繫 If you need another RPM or Voltage or Functions which one is not in the list, please contact us.

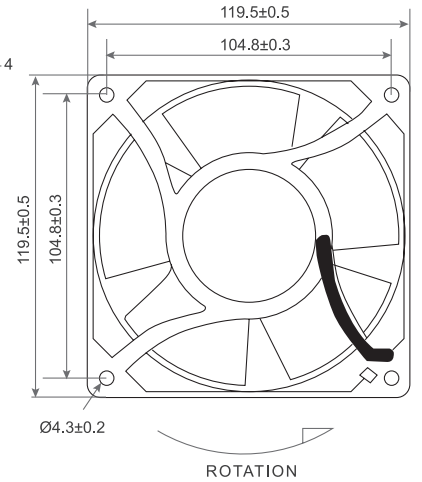
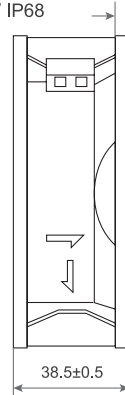
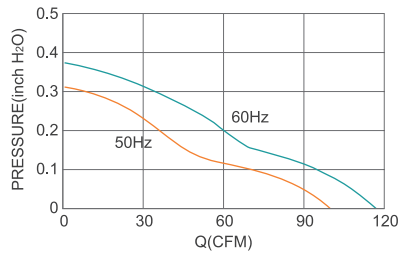
★產品詳細數據及功能請參閱承認書 Please see the approval sheet for more information . ★產品規格變更不另行通知 Specifications are subject to change without notice. ■ A14

AC Axial Fan SA12038 J SERIES 120X120X38mm



- Frame : Aluminum
外框材質：鋁框
- Impeller : Metal
扇葉材質：金屬葉
- Ingress Protection : Optional IP52 / IP55 / IP68
防護等級：可選擇 IP52/IP55/IP68
- Weight : 534g
風扇單體重量：534克

P&Q Curve At Rated Voltage



AIR FLOW

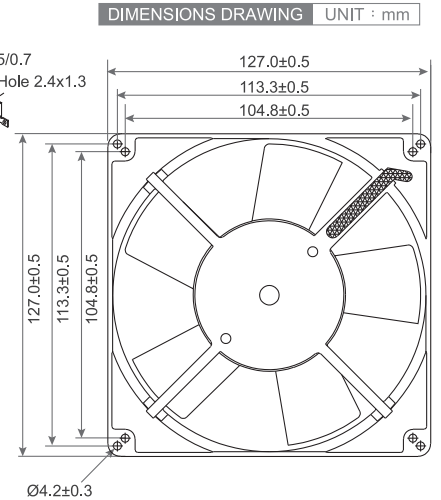
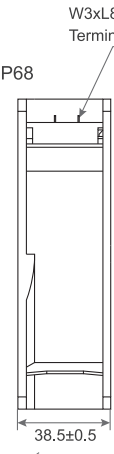
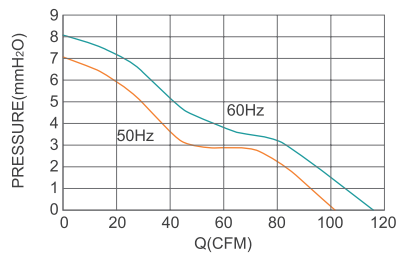
Model No.	Bearing Type	Voltage (VAC)	Frequency (Hz)	Current (A)	Power (W)	Speed (RPM)	Air Flow (CFM)	Air Flow (m ³ /min)	Air Pressure (mmH ₂ O)	Air Pressure (Inch H ₂ O)	Noise (dBA)
SA12038S1Hx.U	※	115	50 / 60	0.13 / 0.11	12.5 / 11.0	2750 / 3200	95 / 114	2.69 / 3.23	8.38 / 9.65	0.33 / 0.38	44 / 48
SA12038B1Hx.U	◎	115	50 / 60	0.13 / 0.11	12.5 / 11.0	2750 / 3200	95 / 114	2.69 / 3.23	8.38 / 9.65	0.33 / 0.38	44 / 48
SA12038S2Hx.U	※	230	50 / 60	0.06	14.0 / 15.0	2600 / 3100	95 / 114	2.69 / 3.23	8.38 / 9.65	0.33 / 0.38	44 / 48
SA12038B2Hx.U	◎	230	50 / 60	0.06	14.0 / 15.0	2600 / 3100	95 / 114	2.69 / 3.23	8.38 / 9.65	0.33 / 0.38	44 / 48

AC Axial Fan SA12738 SK SERIES 127X127X38mm



- Frame : Aluminum
外框材質：鋁框
- Impeller : Thermoplastic PBT UL 94-V0
扇葉材質：環保防火PBT
- Ingress Protection : Optional IP52 / IP55 / IP68
防護等級：可選擇 IP52/IP55/IP68
- Weight : 590g
風扇單體重量：590克

P&Q Curve At Rated Voltage



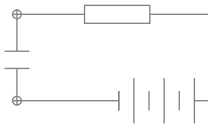
AIR FLOW

Model No.	Bearing Type	Voltage (VAC)	Frequency (Hz)	Current (A)	Power (W)	Speed (RPM)	Air Flow (CFM)	Air Flow (m ³ /min)	Air Pressure (mmH ₂ O)	Air Pressure (Inch H ₂ O)	Noise (dBA)
SA12738S1Hx	※	115	50 / 60	0.22 / 0.18	18.4 / 14.6	2700 / 3000	102 / 116	2.9 / 3.3	7.1 / 8.1	0.28 / 0.32	50 / 55
SA12738B1Hx	◎	115	50 / 60	0.22 / 0.18	18.4 / 14.6	2700 / 3000	102 / 116	2.9 / 3.3	7.1 / 8.1	0.28 / 0.32	50 / 55
SA12738S2Hx	※	230	50 / 60	0.11 / 0.09	19.3 / 15.1	2700 / 3000	102 / 116	2.9 / 3.3	7.1 / 8.1	0.28 / 0.32	50 / 55
SA12738B2Hx	◎	230	50 / 60	0.11 / 0.09	19.3 / 15.1	2700 / 3000	102 / 116	2.9 / 3.3	7.1 / 8.1	0.28 / 0.32	50 / 55

Type ◎ could be ① (Terminals) or ② (Lead Wire) ◎ : Ball ※ : Sleeve

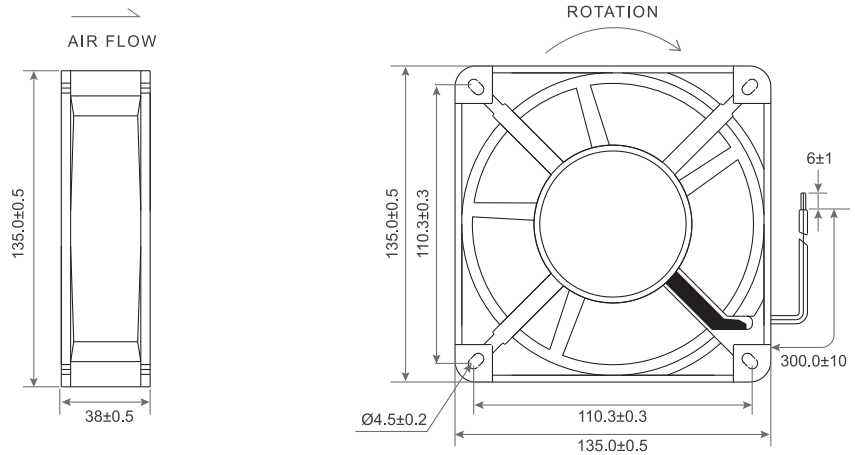
★如果您需要的轉速或電壓或功能不在這份清單上，請與我們業務聯繫 If you need another RPM or Voltage or Functions which one is not in the list, please contact us.

■ A15 ★產品詳細數據及功能請參閱承認書 Please see the approval sheet for more information . ★產品規格變更不另行通知 Specifications are subject to change without notice.



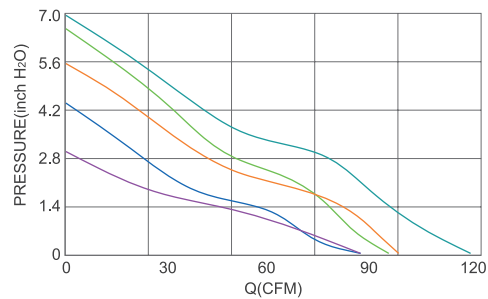
AC Axial Fan SA13538 U SERIES 135X135X38mm

DIMENSIONS DRAWING UNIT : mm



- Frame : Aluminum
外框材質：鋁框
- Impeller : Thermoplastic PBT UL 94-V0
扇葉材質：環保防火PBT
- Ingress Protection : Optional IP52 or IP55
防護等級：可選擇 IP52或IP55
- Weight : 570g
風扇單體重量：570克

P&Q Curve At Rated Voltage

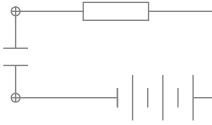


Model No.	Bearing Type	Voltage (VAC)	Frequency (Hz)	Current (A)	Power (W)	Speed (RPM)	Air Flow		Air Pressure		Noise (dBA)
							(CFM)	(m ³ /min)	(mmH ₂ O)	(Inch H ₂ O)	
SA13538B1Hx	◎	115	50 / 60	0.22	23 / 21	2600 / 3000	115 / 141	3.22 / 3.95	6.5 / 6.8	0.26 / 0.20	43 / 45
SA13538B1Mx	◎	115	50 / 60	0.18	15 / 14	2400 / 2700	107 / 120	3.00 / 3.36	4.3 / 5.1	0.17 / 0.20	41 / 43
SA13538B1Lx	◎	115	50 / 60	0.12	10 / 9	2100 / 2400	93 / 107	2.60 / 3.00	1.8 / 3.0	0.07 / 0.01	39 / 41
SA13538S1Hx	※	115	50 / 60	0.22	23 / 21	2600 / 3000	115 / 141	3.22 / 3.95	6.5 / 6.8	0.26 / 0.20	43 / 45
SA13538S1Mx	※	115	50 / 60	0.18	15 / 14	2400 / 2700	107 / 120	3.00 / 3.36	4.3 / 5.1	0.17 / 0.20	41 / 43
SA13538S1Lx	※	115	50 / 60	0.12	10 / 9	2100 / 2400	93 / 107	2.60 / 3.00	1.8 / 3.0	0.07 / 0.01	39 / 41
SA13538B2Hx	◎	230	50 / 60	0.14	23 / 21	2600 / 3000	115 / 141	3.22 / 3.95	6.5 / 6.8	0.26 / 0.20	43 / 45
SA13538B2Mx	◎	230	50 / 60	0.10	15 / 14	2400 / 2700	107 / 120	3.00 / 3.36	4.3 / 5.1	0.17 / 0.20	41 / 43
SA13538B2Lx	◎	230	50 / 60	0.07	10 / 9	2100 / 2400	93 / 107	2.60 / 3.00	1.8 / 3.0	0.07 / 0.01	39 / 41
SA13538S2Hx	※	230	50 / 60	0.14	23 / 21	2600 / 3000	115 / 141	3.22 / 3.95	6.5 / 6.8	0.26 / 0.20	43 / 45
SA13538S2Mx	※	230	50 / 60	0.10	15 / 14	2400 / 2700	107 / 120	3.00 / 3.36	4.3 / 5.1	0.17 / 0.20	41 / 43
SA13538S2Lx	※	230	50 / 60	0.07	10 / 9	2100 / 2400	93 / 107	2.60 / 3.00	1.8 / 3.0	0.07 / 0.01	39 / 41
SA13538B3Hx	◎	380	50 / 60	0.06	23 / 21	2600 / 3000	115 / 141	3.22 / 3.95	6.5 / 6.8	0.26 / 0.20	43 / 45
SA13538S3Hx	※	380	50 / 60	0.06	23 / 21	2600 / 3000	115 / 141	3.22 / 3.95	6.5 / 6.8	0.26 / 0.20	43 / 45

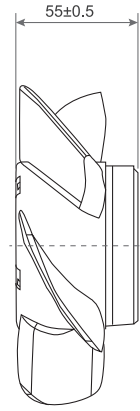
Type ◎ could be ① (Terminals) or ② (Lead Wire) ◎ : Ball ※ : Sleeve

★如果您需要的轉速或電壓或功能不在這份清單上，請與我們業務聯繫 If you need another RPM or Voltage or Functions which one is not in the list, please contact us.

★產品詳細數據及功能請參閱承認書 Please see the approval sheet for more information. ★產品規格變更不另行通知 Specifications are subject to change without notice. ■ A16

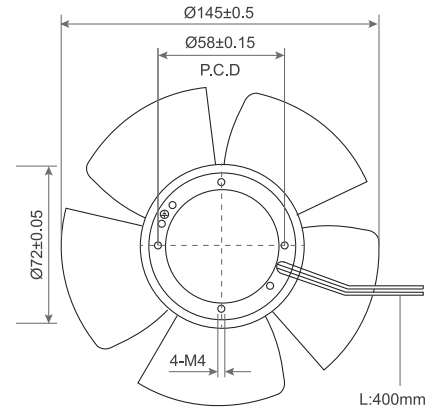


AC Axial Fan
SDA14555 SERIES Ø145X55mm



AIR FLOW

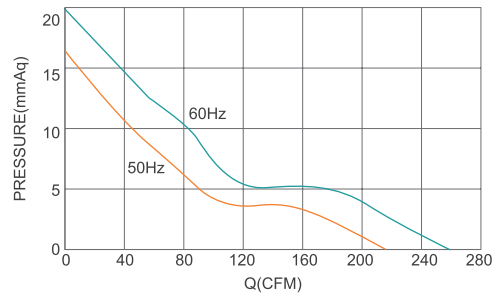
DIMENSIONS DRAWING UNIT : mm



ROTATION

- Impeller : Metal or Thermoplastic PBT UL 94-V0
扇葉材質：金屬葉或環保防火PBT
- Ingress Protection : Optional IP54 or IP56 or IP68
防護等級：可選擇 IP54或IP56或IP68
- Weight : 640g
風扇單體重量：640克

P&Q Curve At Rated Voltage

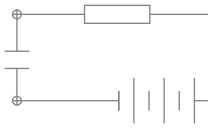


Model No.	Bearing Type	Voltage (VAC)	Frequency (Hz)	Current (A)	Power (W)	Speed (RPM)	Air Flow (CFM)	Air Flow (m ³ /min)	Air Pressure (mmH ₂ O)	Air Pressure (Inch H ₂ O)	Noise (dBA)
SDA14555B1Hx	◎	115	50 / 60	0.10 / 0.11	23 / 26	2800 / 3300	220 / 260	6.23 / 7.36	16.5 / 20.0	0.65 / 0.79	55 / 61
SDA14555B2Hx	◎	230	50 / 60	0.27 / 0.23	23 / 26	2800 / 3300	220 / 260	6.23 / 7.36	16.5 / 20.0	0.65 / 0.79	55 / 61
SDA14555B1Hx.U	◎	115	50 / 60	0.10 / 0.11	23 / 26	2800 / 3300	220 / 260	6.23 / 7.36	16.5 / 20.0	0.65 / 0.79	55 / 61
SDA14555B2Hx.U	◎	230	50 / 60	0.27 / 0.23	23 / 26	2800 / 3300	220 / 260	6.23 / 7.36	16.5 / 20.0	0.65 / 0.79	55 / 61

Type X could be T (Terminals) or L (Lead Wire) ◎ : Ball ※ : Sleeve

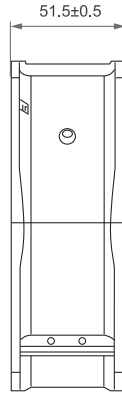
★如果您需要的轉速或電壓或功能不在這份清單上，請與我們業務聯繫 If you need another RPM or Voltage or Functions which one is not in the list, please contact us.

■ A17 ★產品詳細數據及功能請參閱承認書 Please see the approval sheet for more information . ★產品規格變更不另行通知 Specifications are subject to change without notice.

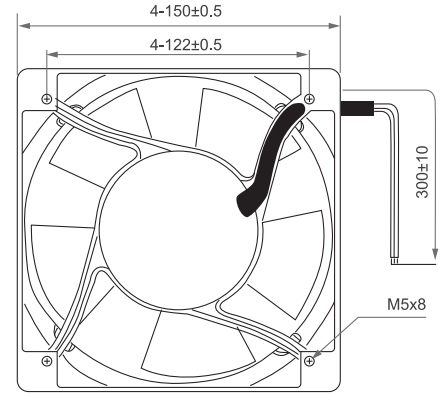


AC Axial Fan SA15050 SERIES 150X150X51mm

DIMENSIONS DRAWING UNIT : mm



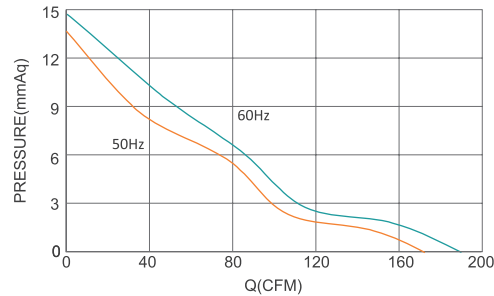
AIR FLOW



ROTATION

- Frame : Aluminum
外框材質 : 鋁框
- Impeller : Thermoplastic PBT UL 94-V0
扇葉材質 : 環保防火PBT
- Ingress Protection : Optional IP55
防護等級 : 可選擇 IP55
- Weight : 880g
風扇單體重量 : 880克

P&Q Curve At Rated Voltage

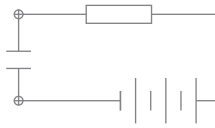


Model No.	Bearing Type	Voltage (VAC)	Frequency (Hz)	Current (A)	Power (W)	Speed (RPM)	Air Flow (CFM)	Air Flow (m ³ /min)	Air Pressure (mmH ₂ O)	Air Pressure (Inch H ₂ O)	Noise (dBA)
SA15050B1Hx	◎	115	50 / 60	0.64 / 0.53	46 / 40	2700 / 3050	180 / 195	5.10 / 5.52	13.3 / 14.4	0.52 / 0.57	56 / 60
SA15050B1Mx	◎	115	60	0.40	30	2450	153	4.33	5.3	0.21	52
SA15050B1Lx	◎	115	60	0.39	30	2050	126	3.77	3.7	0.15	47
SA15050S1Hx	※	115	50 / 60	0.63 / 0.57	42 / 39	2700 / 2950	175 / 190	4.96 / 5.38	12.5 / 11.0	0.49 / 0.43	56 / 59
SA15050S1Mx	※	115	60	0.47	36	2600	175	4.96	7.0	0.28	53
SA15050S1Lx	※	115	60	0.45	35	2000	130	3.68	3.4	0.13	45
SA15050B2Hx	◎	220-240	50 / 60	0.31 / 0.26	42 / 37	2700 / 3000	178 / 190	5.04 / 5.38	13.3 / 12.1	0.52 / 0.48	56 / 60
SA15050B2Mx	◎	220-240	50	0.15	22	2450	155	4.39	8.0	0.32	52
SA15050B2Lx	◎	220-240	50	0.14	20	2050	133	3.77	4.0	0.16	47
SA15050S2Hx	※	220-240	50 / 60	0.31 / 0.27	42 / 39	2700 / 2900	175 / 186	4.96 / 5.27	13.0 / 11.0	0.51 / 0.43	56 / 59
SA15050S2Mx	※	220-240	50	0.17	25	2400	155	4.39	6.8	0.27	51
SA15050S2Lx	※	220-240	50	0.13	20	1950	130	3.68	2.7	0.11	45

Type X could be T (Terminals) or L (Lead Wire) ◎ : Ball ※ : Sleeve

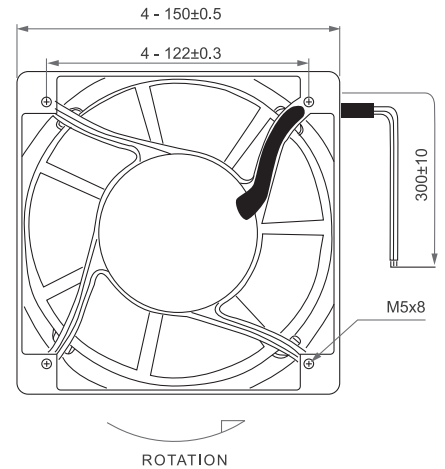
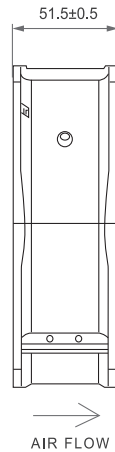
★如果您需要的轉速或電壓或功能不在這份清單上，請與我們業務聯繫 If you need another RPM or Voltage or Functions which one is not in the list, please contact us.

★產品詳細數據及功能請參閱承認書 Please see the approval sheet for more information . ★產品規格變更不另行通知 Specifications are subject to change without notice. A18



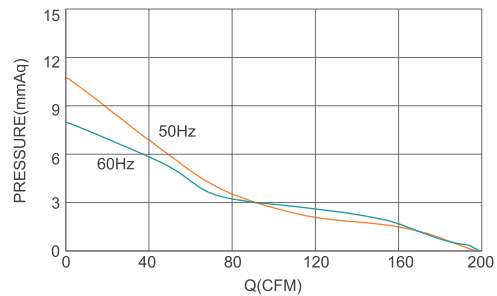
AC Axial Fan SA15050Z 7V SERIES 150X150X51mm

DIMENSIONS DRAWING UNIT : mm



- Frame : Aluminum
外框材質：鋁框
- Impeller : Thermoplastic PBT UL 94-V0
扇葉材質：環保防火PBT
- Ingress Protection : Optional IP55
防護等級：可選擇 IP55
- Weight : 880g
風扇單體重量：880克

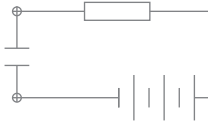
P&Q Curve At Rated Voltage



Model No.	Bearing Type	Voltage (VAC)	Frequency (Hz)	Current (A)	Power (W)	Speed (RPM)	Air Flow (CFM)	Air Flow (m ³ /min)	Air Pressure (mmH ₂ O)	Air Pressure (Inch H ₂ O)	Noise (dBA)
SA15050B1Hx	◎	115	50 / 60	0.63 / 0.56	46 / 41	2700 / 3000	190 / 200	5.38 / 5.67	10.7 / 7.8	0.42 / 0.31	57 / 61
SA15050B1Mx	◎	115	60	0.43	32	2450	172	4.87	3.2	0.13	53
SA15050B1Lx	◎	115	60	0.38	29	2000	133	3.77	2.2	0.09	45
SA15050S1Hx	※	115	50 / 60	0.65 / 0.57	47 / 43	2700 / 2900	182 / 195	5.15 / 5.52	8.8 / 5.2	0.35 / 0.20	56 / 59
SA15050S1Mx	※	115	60	0.46	35	2500	170	4.82	2.8	0.11	53
SA15050S1Lx	※	115	60	0.43	32	1900	133	3.77	2.2	0.09	44
SA15050B2Hx	◎	220-240	50 / 60	0.31 / 0.26	42 / 37	2700 / 3000	187 / 200	5.30 / 5.67	9.5 / 7.0	0.37 / 0.28	57 / 61
SA15050B2Mx	◎	220-240	50	0.15	22	2450	162	4.60	4.1	0.16	53
SA15050B2Lx	◎	220-240	50	0.13	19	2150	150	4.25	2.6	0.10	49
SA15050S2Hx	※	220-240	50 / 60	0.31 / 0.27	42 / 39	2650 / 2900	183 / 195	5.19 / 5.52	9.5 / 5.2	0.37 / 0.20	56 / 59
SA15050S2Mx	※	220-240	50	0.17	26	2350	155	4.39	3.2	0.13	52
SA15050S2Lx	※	220-240	50	0.15	22	2000	140	3.97	2.0	0.08	46

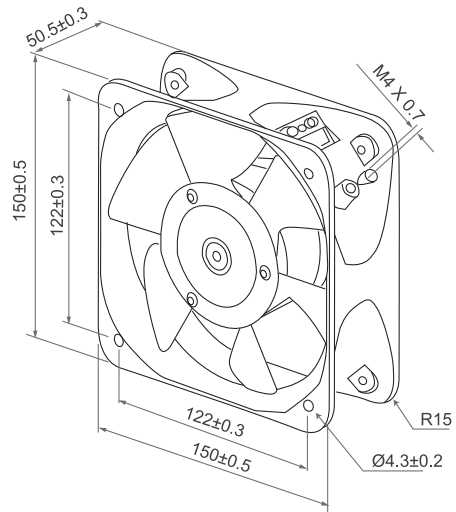
Type X could be T (Terminals) or L (Lead Wire) ◎ : Ball ※ : Sleeve

★如果您需要的轉速或電壓或功能不在這份清單上，請與我們業務聯繫 If you need another RPM or Voltage or Functions which one is not in the list, please contact us.

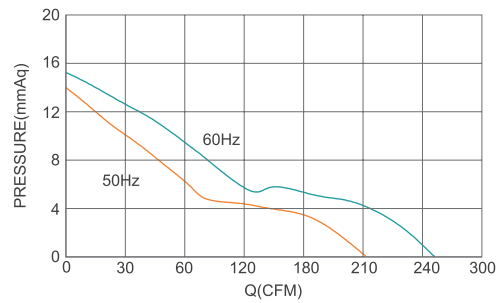


AC Axial Fan SDA15051 SERIES 150X150X51mm

DIMENSIONS DRAWING UNIT : mm



P&Q Curve At Rated Voltage



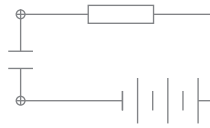
- Frame : Aluminum
外框材質：鋁框
- Impeller : Metal or Thermoplastic PBT UL 94-V0
扇葉材質：金屬葉或環保防火PBT
- Ingress Protection : Optional IP54 or IP56 or IP68
防護等級：可選擇 IP54或IP56或IP68
- Weight : 920g
風扇單體重量：920克

Model No.	Bearing Type	Voltage (VAC)	Frequency (Hz)	Current (A)	Power (W)	Speed (RPM)	Air Flow (CFM) (m ³ /min)		Air Pressure (mmH ₂ O) (Inch H ₂ O)		Noise (dBA)
SDA15051B1Hx	◎	115	50 / 60	0.25 / 0.23	27 / 27	2650 / 3050	210 / 250	5.94 / 7.08	14.0 / 15.5	0.55 / 0.61	53 / 59
SDA15051B2Hx	◎	230	50 / 60	0.11 / 0.11	26 / 26	2650 / 3050	210 / 250	5.94 / 7.08	14.0 / 15.5	0.55 / 0.61	53 / 59
SDA15051B1Hx.U	◎	115	50 / 60	0.25 / 0.21	27 / 25	2700 / 3100	210 / 250	5.94 / 7.08	14.0 / 15.5	0.55 / 0.61	53 / 59
SDA15051B2Hx.U	◎	230	50 / 60	0.11 / 0.11	24 / 24	2700 / 3100	210 / 250	5.94 / 7.08	14.0 / 15.5	0.55 / 0.61	53 / 59

Type X could be T (Terminals) or L (Lead Wire) ◎ : Ball ※ : Sleeve

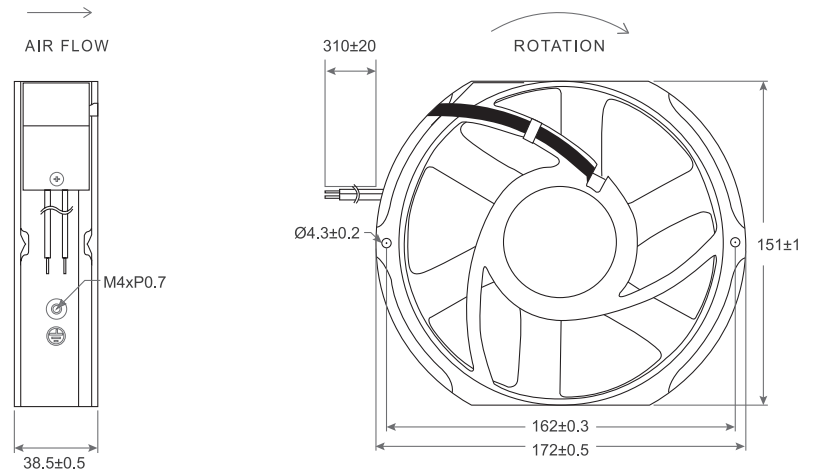
★如果您需要的轉速或電壓或功能不在這份清單上，請與我們業務聯繫 If you need another RPM or Voltage or Functions which one is not in the list, please contact us.

★產品詳細數據及功能請參閱承認書 Please see the approval sheet for more information . ★產品規格變更不另行通知 Specifications are subject to change without notice. ■ A20



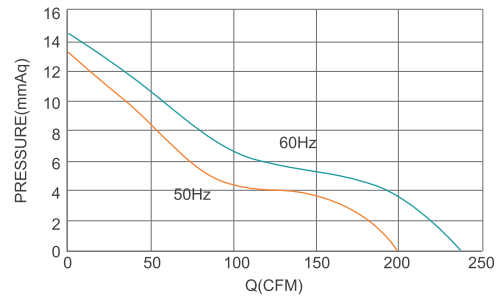
AC Axial Fan SDA17238 SERIES 172X151X38mm

DIMENSIONS DRAWING UNIT : mm



- Frame : Aluminum
外框材質：鋁框
- Impeller : Metal or Thermoplastic PBT UL 94-V0
扇葉材質：金屬葉或環保防火PBT
- Ingress Protection : Optional IP54 or IP55 or IP68
防護等級：可選擇 IP54或IP55或IP68
- Weight : Metal Impeller 820g / Plastic Impeller 800g
風扇單體重量：金屬葉 820克 / 塑膠葉 800克

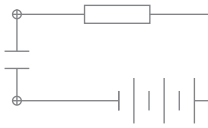
P&Q Curve At Rated Voltage



Model No.	Bearing Type	Voltage (VAC)	Frequency (Hz)	Current (A)	Power (W)	Speed (RPM)	Air Flow (CFM)	Air Flow (m ³ /min)	Air Pressure (mmH ₂ O)	Air Pressure (Inch H ₂ O)	Noise (dBA)
SDA17238B1Hx	◎	115	50 / 60	0.25 / 0.21	27.0 / 25.0	2700 / 3100	210 / 250	5.94 / 6.79	14.0 / 15.5	0.55 / 0.61	53 / 59
SDA17238B2Hx	◎	230	50 / 60	0.11 / 0.10	25.0 / 25.0	2700 / 3100	210 / 250	5.94 / 6.79	14.0 / 15.5	0.55 / 0.61	53 / 59
SDA17238B1Hx.U	◎	115	50 / 60	0.25 / 0.21	27.0 / 25.0	2700 / 3100	210 / 240	5.94 / 6.79	13.5 / 14.5	0.53 / 0.57	53 / 59
SDA17238B2Hx.U	◎	230	50 / 60	0.11 / 0.12	26.0 / 27.0	2700 / 3100	210 / 240	5.94 / 6.79	13.5 / 14.5	0.53 / 0.57	53 / 59
SDA17238B1Mx.U	◎	115	50 / 60	0.13 / 0.16	14.5 / 17.0	2400 / 2400	183 / 185	5.18 / 5.24	6.3 / 4.9	0.25 / 0.19	51 / 51
SDA17238B2Mx.U	◎	230	50 / 60	0.08 / 0.10	16.4 / 19.0	2400 / 2400	183 / 185	5.18 / 5.24	6.3 / 4.9	0.25 / 0.19	51 / 51
SDA17238B1Lx.U	◎	115	50 / 60	0.07 / 0.07	8.0 / 9.0	1750 / 1750	138 / 127	3.91 / 3.59	3.1 / 2.7	0.12 / 0.11	46 / 35
SDA17238B2Lx.U	◎	230	50 / 60	0.04 / 0.05	10.0 / 11.0	1850 / 1750	138 / 127	3.91 / 3.59	3.1 / 2.7	0.12 / 0.11	47 / 45
SDA17238B28x.U(3ø)	◎	280	50 / 60	0.11 / 0.11	27.0 / 26.0	2600 / 3000	200 / 230	5.66 / 6.51	12.0 / 11.0	0.47 / 0.43	52 / 58
SDA17238B3Hx.U	◎	380	50 / 60	0.06 / 0.06	22.0 / 23.0	2600 / 3000	200 / 230	5.66 / 6.51	12.0 / 11.0	0.47 / 0.43	52 / 58
SDA17238B4Hx.U	◎	440	50 / 60	0.08 / 0.07	29.0 / 27.0	2700 / 3100	210 / 240	5.94 / 6.79	13.5 / 14.5	0.53 / 0.57	53 / 59
SDA17238B48x.U	◎	480	50 / 60	0.07 / 0.07	33.0 / 31.0	2600 / 3000	210 / 240	5.94 / 6.79	13.5 / 14.5	0.53 / 0.57	52 / 58
SDA17238BDHx.U	◎	115	50 / 60	0.25 / 0.26	29.0 / 30.0	2600 / 3000	200 / 230	5.66 / 6.51	12.5 / 14.0	0.49 / 0.55	53 / 59
	◎	230	50 / 60	0.15 / 0.13	31.0 / 29.0	2650 / 3050	200 / 230	5.66 / 6.51	12.5 / 14.0	0.49 / 0.55	53 / 59

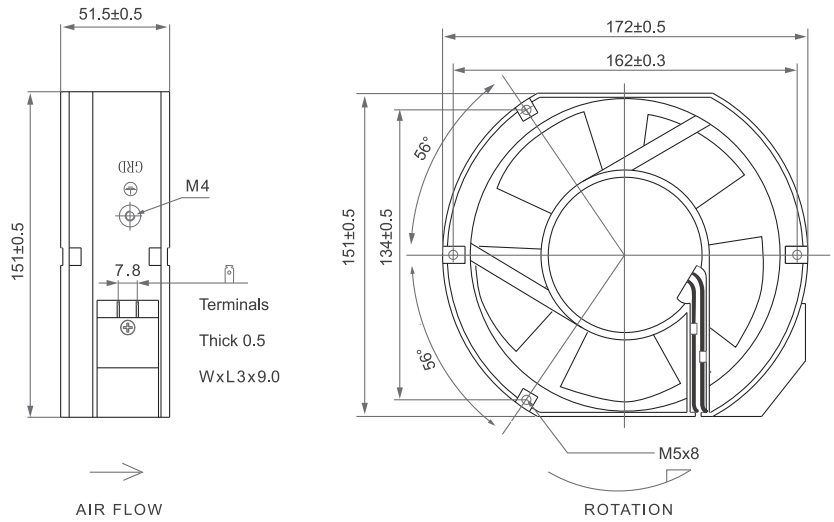
Type X could be T (Terminals) or L (Lead Wire) ◎ : Ball ※ : Sleeve

★如果您需要的轉速或電壓或功能不在這份清單上，請與我們業務聯繫 If you need another RPM or Voltage or Functions which one is not in the list, please contact us.



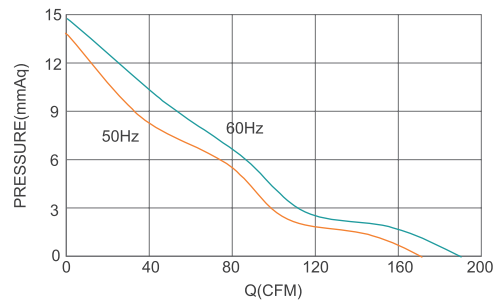
AC Axial Fan SA17251 5V SERIES 172X150X51mm

DIMENSIONS DRAWING UNIT : mm



- Frame : Aluminum
外框材質：鋁框
- Impeller : Thermoplastic PBT UL 94-V0
扇葉材質：環保防火PBT
- Ingress Protection : Optional IP55
防護等級：可選擇 IP55
- Weight : 880g
風扇單體重量：880克

P&Q Curve At Rated Voltage

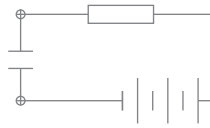


Model No.	Bearing Type	Voltage (VAC)	Frequency (Hz)	Current (A)	Power (W)	Speed (RPM)	Air Flow		Air Pressure		Noise (dBA)
							(CFM)	(m ³ /min)	(mmH ₂ O)	(Inch H ₂ O)	
SA15050B1Hx	◎	115	50 / 60	0.64 / 0.53	46 / 40	2700 / 3050	180 / 195	5.10 / 5.52	13.3 / 14.4	0.52 / 0.57	56 / 60
SA15050B1Mx	◎	115	60	0.40	30	2450	153	4.33	5.3	0.21	52
SA15050B1Lx	◎	115	60	0.39	30	2050	126	3.77	3.7	0.15	47
SA15050S1Hx	※	115	50 / 60	0.63 / 0.57	42 / 39	2700 / 2950	175 / 190	4.96 / 5.38	12.5 / 11.0	0.49 / 0.43	56 / 59
SA15050S1Mx	※	115	60	0.47	36	2600	175	4.96	7.0	0.28	53
SA15050S1Lx	※	115	60	0.45	35	2000	130	3.68	3.4	0.13	45
SA15050B2Hx	◎	220-240	50 / 60	0.31 / 0.26	42 / 37	2700 / 3000	178 / 190	5.04 / 5.38	13.3 / 12.1	0.52 / 0.48	56 / 60
SA15050B2Mx	◎	220-240	50	0.15	22	2450	155	4.39	8.0	0.32	52
SA15050B2Lx	◎	220-240	50	0.14	20	2050	133	3.77	4.0	0.16	47
SA15050S2Hx	※	220-240	50 / 60	0.31 / 0.27	42 / 39	2700 / 2900	175 / 186	4.96 / 5.27	13.0 / 11.0	0.51 / 0.43	56 / 59
SA15050S2Mx	※	220-240	50	0.17	25	2400	155	4.39	6.8	0.27	51
SA15050S2Lx	※	220-240	50	0.13	20	1950	130	3.68	2.7	0.11	45

Type X could be T (Terminals) or L (Lead Wire) ◎ : Ball ※ : Sleeve

★如果您需要的轉速或電壓或功能不在這份清單上，請與我們業務聯繫 If you need another RPM or Voltage or Functions which one is not in the list, please contact us.

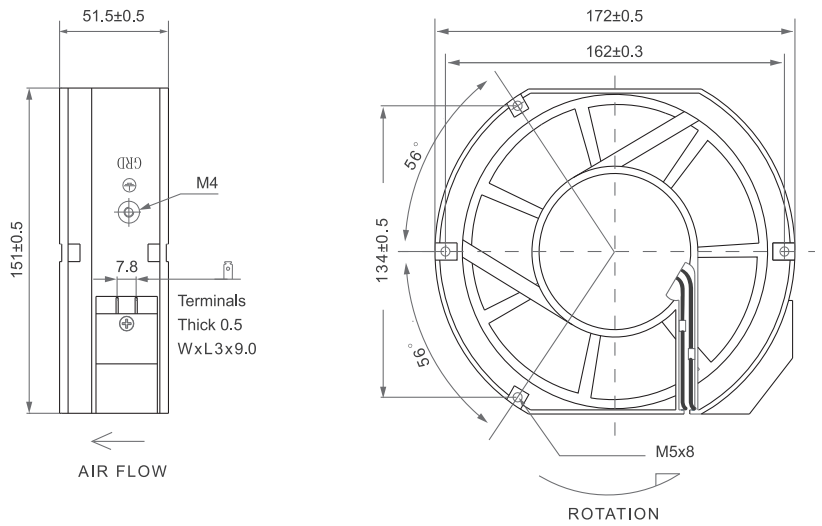
★產品詳細數據及功能請參閱承認書 Please see the approval sheet for more information. ★產品規格變更不另行通知 Specifications are subject to change without notice. ■ A22



AC Axial Fan SA17251 7V SERIES 172X151X51mm

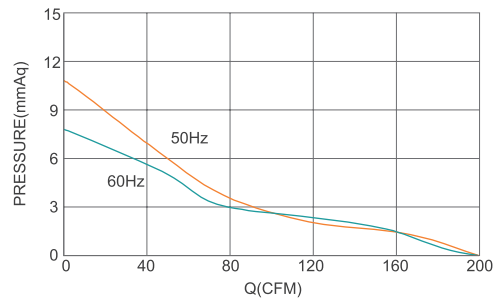


DIMENSIONS DRAWING UNIT : mm



- Frame : Aluminum
外框材質：鋁框
- Impeller : Thermoplastic PBT UL 94-V0
扇葉材質：環保防火PBT
- Ingress Protection : Optional IP55
防護等級：可選擇 IP55
- Weight : 900g
風扇單體重量：900克

P&Q Curve At Rated Voltage

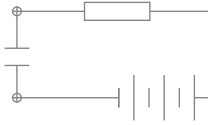


Model No.	Bearing Type	Voltage (VAC)	Frequency (Hz)	Current (A)	Power (W)	Speed (RPM)	Air Flow (CFM) (m ³ /min)		Air Pressure (mmH ₂ O) (Inch H ₂ O)		Noise (dBA)
SA15050B1Hx	◎	115	50 / 60	0.63 / 0.56	46 / 41	2700 / 3000	190 / 200	5.38 / 5.67	10.7 / 7.8	0.42 / 0.31	57 / 61
SA15050B1Mx	◎	115	60	0.43	32	2450	172	4.87	3.2	0.13	53
SA15050B1Lx	◎	115	60	0.38	29	2000	133	3.77	2.2	0.09	45
SA15050S1Hx	※	115	50 / 60	0.65 / 0.57	47 / 43	2700 / 2900	182 / 195	5.15 / 5.52	8.8 / 5.2	0.35 / 0.20	56 / 59
SA15050S1Mx	※	115	60	0.46	35	2500	170	4.82	2.8	0.11	53
SA15050S1Lx	※	115	60	0.43	32	1900	133	3.77	2.2	0.09	44
SA15050B2Hx	◎	220-240	50 / 60	0.31 / 0.26	42 / 37	2700 / 3000	187 / 200	5.30 / 5.67	9.5 / 7.0	0.37 / 0.28	57 / 61
SA15050B2Mx	◎	220-240	50	0.15	22	2450	162	4.60	4.1	0.16	53
SA15050B2Lx	◎	220-240	50	0.13	19	2150	150	4.25	2.6	0.10	49
SA15050S2Hx	※	220-240	50 / 60	0.31 / 0.27	42 / 39	2650 / 2900	183 / 195	5.19 / 5.52	9.5 / 5.2	0.37 / 0.20	56 / 59
SA15050S2Mx	※	220-240	50	0.17	26	2350	155	4.39	3.2	0.13	52
SA15050S2Lx	※	220-240	50	0.15	22	2000	140	3.97	2.0	0.08	46

Type ◎ could be ① (Terminals) or ② (Lead Wire) ◎ : Ball ※ : Sleeve

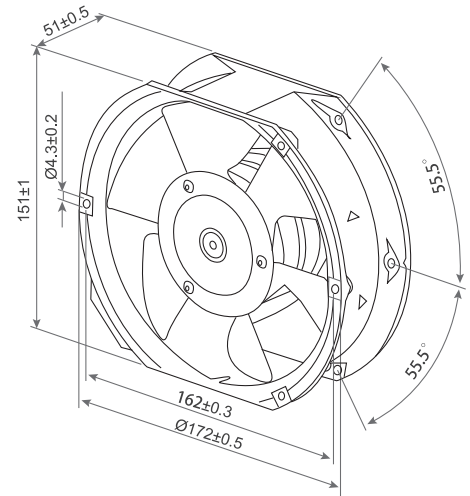
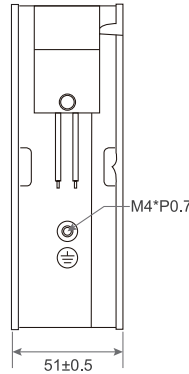
★如果您需要的轉速或電壓或功能不在這份清單上，請與我們業務聯繫 If you need another RPM or Voltage or Functions which one is not in the list, please contact us.

★產品詳細數據及功能請參閱承認書 Please see the approval sheet for more information . ★產品規格變更不另行通知 Specifications are subject to change without notice.



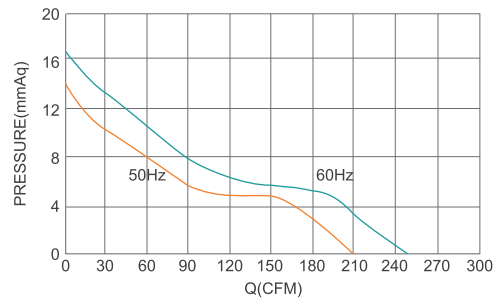
AC Axial Fan SDA17251 SERIES 172X151X51mm

DIMENSIONS DRAWING UNIT : mm



- Frame : Aluminum
外框材質：鋁框
- Impeller : Metal or Thermoplastic PBT UL 94-V0
扇葉材質：金屬葉或環保防火PBT
- Ingress Protection : Optional IP54 or IP56 or IP68
防護等級：可選擇 IP54或IP56或IP68
- Weight : Metal Impeller 1080g / Plastic Impeller 920g
風扇單體重量：金屬葉 1080克 / 塑膠葉 940克

P&Q Curve At Rated Voltage

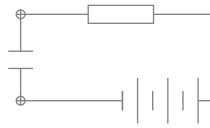


Model No.	Bearing Type	Voltage (VAC)	Frequency (Hz)	Current (A)	Power (W)	Speed (RPM)	Air Flow (CFM)	Air Flow (m ³ /min)	Air Pressure (mmH ₂ O)	Air Pressure (Inch H ₂ O)	Noise (dBA)
*SDA17251B1Sx	⊙	115	50 / 60	0.28 / 0.24	27 / 27	2800 / 3300	230 / 270	6.51 / 7.64	16.5 / 20.0	0.65 / 0.79	55 / 61
*SDA17251B2Sx	⊙	230	50 / 60	0.11 / 0.12	24 / 27	2800 / 3300	230 / 270	6.51 / 7.64	16.5 / 20.0	0.65 / 0.79	55 / 61
SDA17251B1Hx	⊙	115	50 / 60	0.25 / 0.23	27 / 27	2650 / 3050	210 / 250	5.94 / 7.08	14.0 / 15.5	0.55 / 0.61	53 / 59
SDA17251B2Hx	⊙	230	50 / 60	0.11 / 0.11	26 / 26	2650 / 3050	210 / 250	5.94 / 7.08	14.0 / 15.5	0.55 / 0.61	53 / 59
*SDA17251B1Sx.U	⊙	115	50 / 60	0.27 / 0.23	26 / 26	2800 / 3300	220 / 260	6.23 / 7.36	16.5 / 20.0	0.65 / 0.79	55 / 61
*SDA17251B2Sx.U	⊙	230	50 / 60	0.10 / 0.11	23 / 26	2800 / 3300	220 / 260	6.23 / 7.36	16.5 / 20.0	0.65 / 0.79	55 / 61
SDA17251B1Hx.U	⊙	115	50 / 60	0.25 / 0.21	27 / 25	2700 / 3100	210 / 250	5.94 / 7.08	14.0 / 15.5	0.55 / 0.61	53 / 59
SDA17251B2Hx.U	⊙	230	50 / 60	0.11 / 0.12	26 / 27	2700 / 3100	210 / 250	5.94 / 7.08	14.0 / 15.5	0.55 / 0.61	53 / 59
SDA17251B1Mx.U	⊙	115	50 / 60	0.12 / 0.15	14 / 17	2400 / 2350	174 / 174	4.92 / 4.92	6.6 / 5.2	0.26 / 0.20	51 / 51
SDA17251B2Mx.U	⊙	230	50 / 60	0.07 / 0.10	16 / 19	2400 / 2350	174 / 174	4.92 / 4.92	6.6 / 5.2	0.26 / 0.20	51 / 51
SDA17251B1Lx.U	⊙	115	50 / 60	0.07 / 0.07	8 / 9	1800 / 1700	135 / 123	3.82 / 3.48	3.3 / 2.9	0.13 / 0.11	47 / 45
SDA17251B2Lx.U	⊙	230	50 / 60	0.04 / 0.05	10 / 11	1850 / 1700	135 / 123	3.82 / 3.48	3.4 / 2.9	0.13 / 0.11	47 / 45
SDA17251B28x.U	⊙	280	50 / 60	0.11 / 0.11	27 / 26	2600 / 3000	200 / 230	5.66 / 6.51	12.0 / 11.0	0.47 / 0.43	52 / 58
SDA17251B3Hx.U	⊙	380	50 / 60	0.06 / 0.06	22 / 23	2600 / 3000	200 / 230	5.66 / 6.51	12.0 / 11.0	0.47 / 0.43	52 / 58
SDA17251B4Hx.U	⊙	440	50 / 60	0.08 / 0.07	29 / 27	2700 / 3100	210 / 240	5.94 / 6.79	13.5 / 14.5	0.53 / 0.57	53 / 59
*SDA17251B48x.U	⊙	480	50 / 60	0.07 / 0.07	33 / 31	2600 / 3000	210 / 240	5.94 / 6.79	12.0 / 11.0	0.47 / 0.43	53 / 59
*SDA17251BDSx.U	⊙	115	50 / 60	0.25 / 0.21	27 / 25	2700 / 3100	210 / 250	5.94 / 7.08	14.0 / 15.5	0.55 / 0.61	53 / 59
	⊙	230	50 / 60	0.11 / 0.12	26 / 27	2700 / 3100	210 / 250	5.94 / 7.08	14.0 / 15.5	0.55 / 0.61	53 / 59
SDA17251B2SL.U(3ø)	⊙	230	50 / 60	0.07 / 0.06	15 / 18	2800 / 3150	218 / 246	6.17 / 6.96	16.8 / 19.0	0.66 / 0.75	55 / 59
SDA17251B3HL.U(3ø)	⊙	380	50 / 60	0.06 / 0.06	22 / 23	2600 / 3000	203 / 235	5.74 / 6.65	15.7 / 18.1	0.62 / 0.71	52 / 58
SDA17251B4HL.U(3ø)	⊙	440	50 / 60	0.08 / 0.07	29 / 27	2700 / 3100	215 / 242	6.08 / 6.85	16.3 / 18.7	0.64 / 0.74	53 / 59
SDA17251B48L.U(3ø)	⊙	480	50 / 60	0.06 / 0.05	26 / 25	2800 / 3300	222 / 260	6.28 / 7.36	17.1 / 20.0	0.67 / 0.79	55 / 61

Type ⊗ could be ⊕ (Terminals) or ⊖ (Lead Wire) ⊙ : Ball ※ : Sleeve * : Great performance

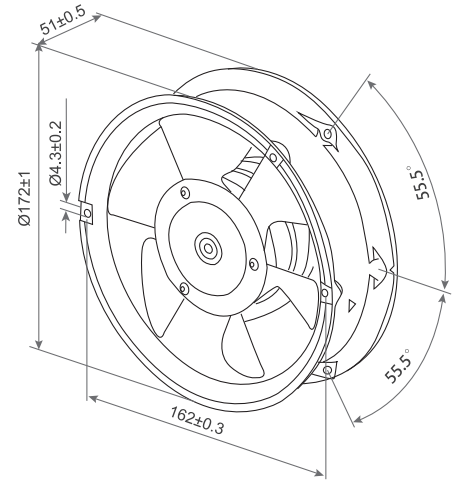
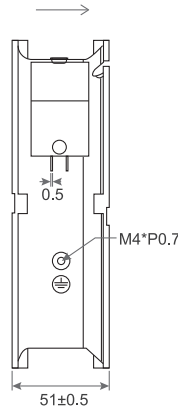
★如果您需要的轉速或電壓或功能不在這份清單上，請與我們業務聯繫 If you need another RPM or Voltage or Functions which one is not in the list, please contact us.

★產品詳細數據及功能請參閱承認書 Please see the approval sheet for more information. ★產品規格變更不另行通知 Specifications are subject to change without notice. ■ A24



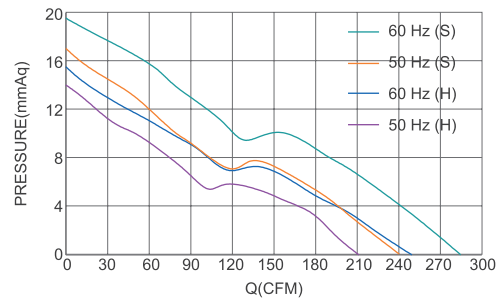
AC Axial Fan SDA17Ø51 SERIES Ø172X51mm

DIMENSIONS DRAWING UNIT : mm



- Frame : Aluminum
外框材質：鋁框
- Impeller : Metal or Thermoplastic PBT UL 94-V0
扇葉材質：金屬葉或環保防火PBT
- Ingress Protection : Optional IP54 or IP56 or IP68
防護等級：可選擇 IP54 或 IP56 或 IP68
- Weight : Metal Impeller 1080g / Plastic Impeller 920g
風扇單體重量：金屬葉 1080克 / 塑膠葉 920克

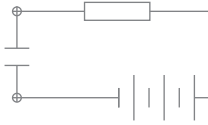
P&Q Curve At Rated Voltage



Model No.	Bearing Type	Voltage (VAC)	Frequency (Hz)	Current (A)	Power (W)	Speed (RPM)	Air Flow (CFM)		Air Pressure (mmH ₂ O)		Noise (dBA)
*SDA17Ø51B1Sx	⊙	115	50 / 60	0.28 / 0.24	27 / 27	2800 / 3300	240 / 285	6.79 / 8.07	17.0 / 20.0	0.67 / 0.79	55 / 61
*SDA17Ø51B2Sx	⊙	230	50 / 60	0.11 / 0.12	24 / 27	2800 / 3300	240 / 285	6.79 / 8.07	17.0 / 20.0	0.67 / 0.79	55 / 61
SDA17Ø51B1Hx	⊙	115	50 / 60	0.25 / 0.23	27 / 27	2650 / 3050	210 / 250	5.94 / 7.08	14.0 / 15.5	0.55 / 0.61	53 / 59
SDA17Ø51B2Hx	⊙	230	50 / 60	0.11 / 0.11	26 / 26	2650 / 3050	210 / 250	5.94 / 7.08	14.0 / 15.5	0.55 / 0.61	53 / 59
*SDA17Ø51B1Sx.U	⊙	115	50 / 60	0.27 / 0.23	26 / 26	2800 / 3300	230 / 270	6.51 / 7.64	16.5 / 20.0	0.65 / 0.79	55 / 61
*SDA17Ø51B2Sx.U	⊙	230	50 / 60	0.10 / 0.11	23 / 26	2800 / 3300	230 / 270	6.51 / 7.64	16.5 / 20.0	0.65 / 0.79	55 / 61
SDA17Ø51B1Hx.U	⊙	115	50 / 60	0.25 / 0.21	27 / 25	2700 / 3100	210 / 250	5.94 / 7.08	14.0 / 15.5	0.55 / 0.61	53 / 59
SDA17Ø51B2Hx.U	⊙	230	50 / 60	0.11 / 0.12	26 / 27	2700 / 3100	210 / 250	5.94 / 7.08	14.0 / 15.5	0.55 / 0.61	53 / 59
SDA17Ø51B1Mx.U	⊙	115	50 / 60	0.12 / 0.15	14 / 17	2400 / 2350	174 / 174	4.92 / 4.92	6.6 / 5.2	0.26 / 0.20	51 / 51
SDA17Ø51B2Mx.U	⊙	230	50 / 60	0.07 / 0.10	16 / 19	2400 / 2350	174 / 174	4.92 / 4.92	6.6 / 5.2	0.26 / 0.20	51 / 51
SDA17Ø51B1Lx.U	⊙	115	50 / 60	0.07 / 0.07	8 / 9	1800 / 1700	135 / 123	3.82 / 3.48	3.3 / 2.9	0.13 / 0.11	47 / 45
SDA17Ø51B2Lx.U	⊙	230	50 / 60	0.04 / 0.05	10 / 11	1850 / 1700	135 / 123	3.82 / 3.48	3.4 / 2.9	0.13 / 0.11	47 / 45
SDA17Ø51B28x.U	⊙	280	50 / 60	0.11 / 0.11	27 / 26	2600 / 3000	200 / 230	5.66 / 6.51	12.0 / 11.0	0.47 / 0.43	52 / 58
SDA17Ø51B3Hx.U	⊙	380	50 / 60	0.06 / 0.06	22 / 23	2600 / 3000	200 / 230	5.66 / 6.51	12.0 / 11.0	0.47 / 0.43	52 / 58
SDA17Ø51B4Hx.U	⊙	440	50 / 60	0.08 / 0.07	29 / 27	2700 / 3100	210 / 240	5.94 / 6.79	13.5 / 14.5	0.53 / 0.57	53 / 59
*SDA17Ø51B48x.U	⊙	480	50 / 60	0.07 / 0.07	33 / 31	2600 / 3000	210 / 240	5.94 / 6.79	12.0 / 11.0	0.47 / 0.43	53 / 59
*SDA17Ø51BDHx.U	⊙	115	50 / 60	0.25 / 0.21	27 / 25	2700 / 3100	210 / 250	5.94 / 7.08	14.0 / 15.5	0.55 / 0.61	53 / 59
	⊙	230	50 / 60	0.11 / 0.12	26 / 27	2700 / 3100	210 / 250	5.94 / 7.08	14.0 / 15.5	0.55 / 0.61	53 / 59

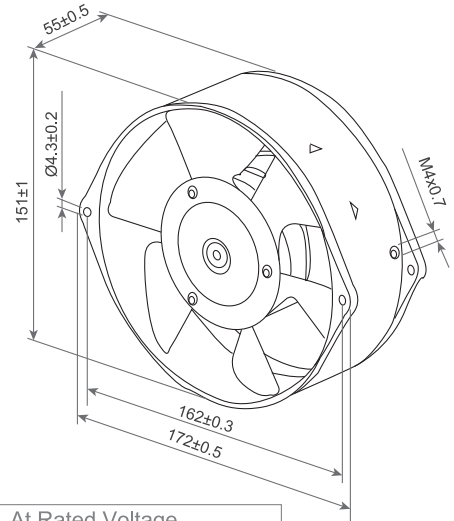
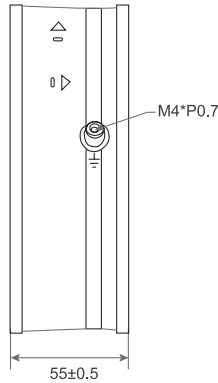
Type ⊗ could be ⊕ (Terminals) or ⊖ (Lead Wire) ⊙ : Ball ※ : Sleeve * : Great performance

★如果您需要的轉速或電壓或功能不在這份清單上，請與我們業務聯繫 If you need another RPM or Voltage or Functions which one is not in the list, please contact us.



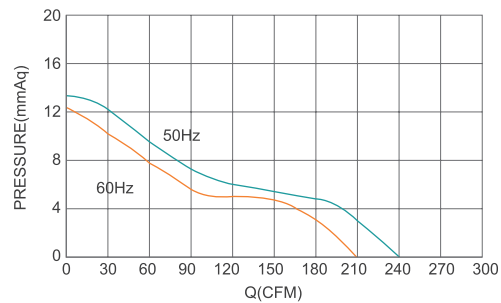
AC Axial Fan SDA17255 SERIES 172X151X55mm

DIMENSIONS DRAWING UNIT : mm



- Frame : Aluminum
外框材質：鋁框
- Impeller : Metal or Thermoplastic PBT UL 94-V0
扇葉材質：金屬葉或環保防火PBT
- Ingress Protection : Optional IP54 or IP56 or IP68
防護等級：可選擇 IP54或IP56或IP68
- Weight : 950g
風扇單體重量：950克

P&Q Curve At Rated Voltage



Model No.	Bearing Type	Voltage (VAC)	Frequency (Hz)	Current (A)	Power (W)	Speed (RPM)	Air Flow (CFM)	Air Flow (m ³ /min)	Air Pressure (mmH ₂ O)	Air Pressure (Inch H ₂ O)	Noise (dBA)
*SDA15155B1Sx	◎	115	50 / 60	0.28 / 0.24	27 / 27	2800 / 3300	220 / 250	6.23 / 7.08	14.0 / 18.0	0.55 / 0.71	55 / 61
*SDA15155B2Sx	◎	230	50 / 60	0.11 / 0.12	24 / 27	2800 / 3300	220 / 250	6.23 / 7.08	14.0 / 18.0	0.55 / 0.71	55 / 61
SDA15155B1Hx	◎	115	50 / 60	0.25 / 0.23	27 / 27	2650 / 3050	210 / 240	5.94 / 6.79	12.5 / 13.5	0.49 / 0.53	53 / 59
SDA15155B2Hx	◎	230	50 / 60	0.11 / 0.11	26 / 26	2650 / 3050	210 / 240	5.94 / 6.79	12.5 / 13.5	0.49 / 0.53	53 / 59
*SDA15155B1Sx.U	◎	115	50 / 60	0.27 / 0.23	26 / 26	2800 / 3300	210 / 240	5.94 / 6.79	13.5 / 17.5	0.53 / 0.69	55 / 61
*SDA15155B2Sx.U	◎	230	50 / 60	0.10 / 0.11	23 / 26	2800 / 3300	210 / 240	5.94 / 6.79	13.5 / 17.5	0.53 / 0.69	55 / 61
SDA15155B1Hx.U	◎	115	50 / 60	0.25 / 0.21	27 / 25	2700 / 3100	210 / 240	5.94 / 6.79	12.5 / 13.5	0.49 / 0.53	53 / 59
SDA15155B2Hx.U	◎	230	50 / 60	0.11 / 0.12	26 / 27	2700 / 3100	210 / 240	5.94 / 6.79	12.5 / 13.5	0.49 / 0.53	53 / 59
SDA15155B1Mx.U	◎	115	50 / 60	0.12 / 0.15	14 / 17	2350 / 2350	174 / 174	4.92 / 4.92	6.6 / 5.2	0.26 / 0.20	51 / 51
SDA15155B2Mx.U	◎	230	50 / 60	0.08 / 0.10	18 / 20	2200 / 2200	160 / 160	4.53 / 4.53	5.2 / 4.2	0.20 / 0.17	51 / 51
SDA15155B1Lx.U	◎	115	50 / 60	0.07 / 0.07	8 / 9	1800 / 1700	124 / 119	3.51 / 3.37	3.0 / 2.6	0.12 / 0.10	47 / 45
SDA15155B2Lx.U	◎	230	50 / 60	0.04 / 0.05	10 / 11	1800 / 1700	124 / 119	3.51 / 3.37	3.0 / 2.6	0.12 / 0.10	47 / 45
SDA15155B28x.U	◎	280	50 / 60	0.11 / 0.11	27 / 26	2600 / 3000	200 / 230	5.66 / 6.51	12.0 / 11.0	0.47 / 0.43	52 / 58
SDA15155B3Hx.U	◎	380	50 / 60	0.06 / 0.06	22 / 23	2600 / 3000	200 / 230	5.66 / 6.51	12.0 / 11.0	0.47 / 0.43	52 / 58
SDA15155B4Hx.U	◎	440	50 / 60	0.08 / 0.07	29 / 27	2700 / 3100	210 / 240	5.94 / 6.79	12.5 / 13.5	0.49 / 0.53	57 / 61
*SDA15155B48x.U	◎	480	50 / 60	0.07 / 0.07	33 / 31	2600 / 3000	210 / 240	5.94 / 6.79	12.5 / 13.5	0.49 / 0.53	57 / 61
*SDA15155BDSx.U	◎	115	50 / 60	0.25 / 0.21	27 / 25	2700 / 3100	210 / 240	5.94 / 6.79	12.5 / 13.5	0.49 / 0.53	57 / 61
	◎	230	50 / 60	0.11 / 0.12	26 / 27	2700 / 3100	210 / 240	5.94 / 6.79	12.5 / 13.5	0.49 / 0.53	57 / 61

Type ⓧ could be ㊦ (Terminals) or ㊧ (Lead Wire) ◎ : Ball ※ : Sleeve * : Great performance

★如果您需要的轉速或電壓或功能不在這份清單上，請與我們業務聯繫 If you need another RPM or Voltage or Functions which one is not in the list, please contact us.

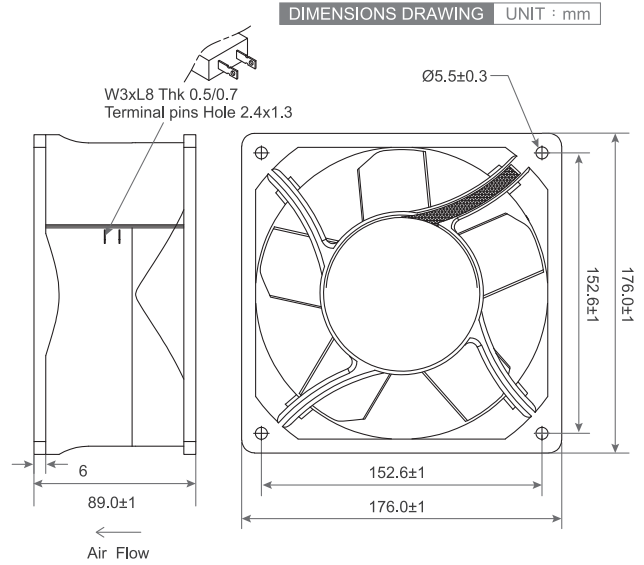
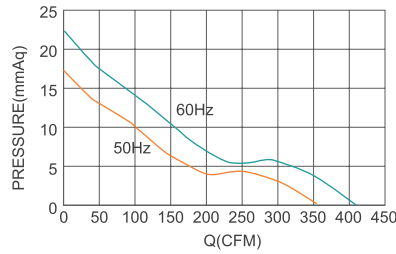
★產品詳細數據及功能請參閱承認書 Please see the approval sheet for more information. ★產品規格變更不另行通知 Specifications are subject to change without notice. ■ A26

AC Axial Fan SA17689 SK SERIES 176X176X89mm



- Frame : Aluminum
外框材質：鋁框
- Impeller : Thermoplastic PBT UL 94-V0
扇葉材質：環保防火PBT
- Ingress Protection : Optional IP54 or IP56
防護等級：可選擇 IP54 或 IP56
- Weight : 2000g
風扇單體重量：2000克

P&Q Curve At Rated Voltage



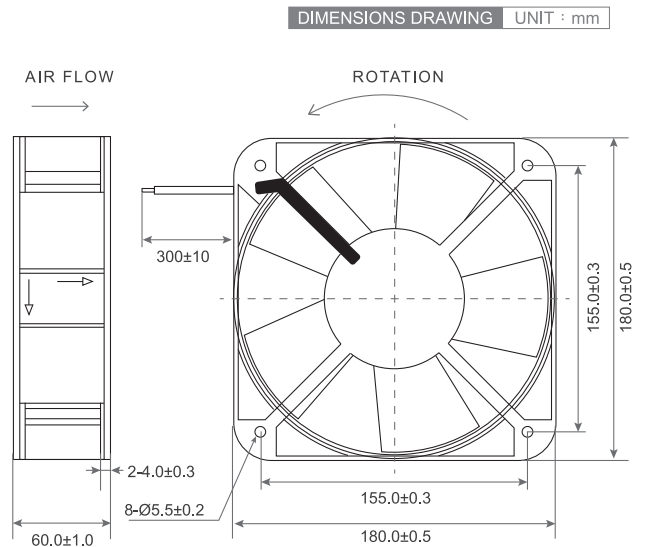
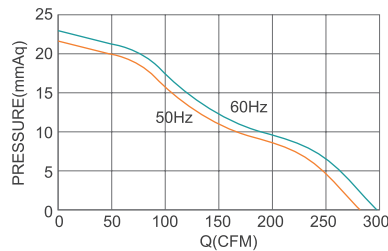
Model No.	Bearing Type	Voltage (VAC)	Frequency (Hz)	Current (A)	Power (W)	Speed (RPM)	Air Flow (CFM)	Air Flow (m ³ /min)	Air Pressure (mmH ₂ O)	Air Pressure (Inch H ₂ O)	Noise (dBA)
SA17689B1Hx	◎	115	50 / 60	0.57 / 0.48	50 / 52	2800 / 3250	358 / 415	10.2 / 11.7	17.3 / 22.4	0.68 / 0.88	61 / 64
SA17689B2Hx	◎	230	50 / 60	0.21 / 0.23	43 / 52	2800 / 3250	358 / 415	10.2 / 11.7	17.3 / 22.4	0.68 / 0.88	61 / 64

AC Axial Fan SA18060 R SERIES 180X180X60mm



- Frame : Aluminum
外框材質：鋁框
- Impeller : Thermoplastic PBT UL 94-V0
扇葉材質：環保防火PBT
- Ingress Protection : Optional IP54 or IP56
防護等級：可選擇 IP54 或 IP56
- Weight : 1550g
風扇單體重量：1550克

P&Q Curve At Rated Voltage

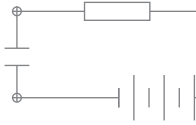


Model No.	Bearing Type	Voltage (VAC)	Frequency (Hz)	Current (A)	Power (W)	Speed (RPM)	Air Flow (CFM)	Air Flow (m ³ /min)	Air Pressure (mmH ₂ O)	Air Pressure (Inch H ₂ O)	Noise (dBA)
SA18060B1HL	◎	110-120	50/60	0.70	50	2500	300	8.50	22.86	0.90	65
SA18060B2HL	◎	220-240	50/60	0.35	50	2500	300	8.50	22.86	0.90	65
SA18060B3HL	◎	380	50/60	0.18	50	2400	283	8.50	21.60	0.85	65

Type ◎ could be ① (Terminals) or ② (Lead Wire) ◎ : Ball ※ : Sleeve

★如果您需要的轉速或電壓或功能不在這份清單上，請與我們業務聯繫 If you need another RPM or Voltage or Functions which one is not in the list, please contact us.

★產品詳細數據及功能請參閱承認書 Please see the approval sheet for more information . ★產品規格變更不另行通知 Specifications are subject to change without notice.



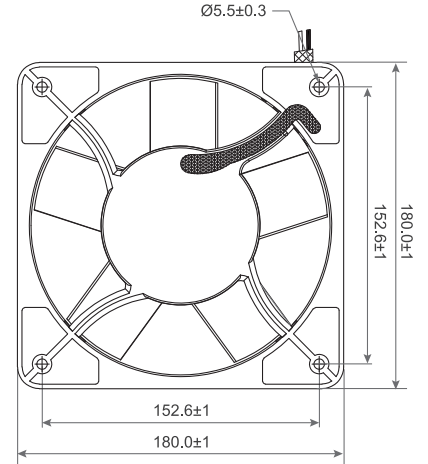
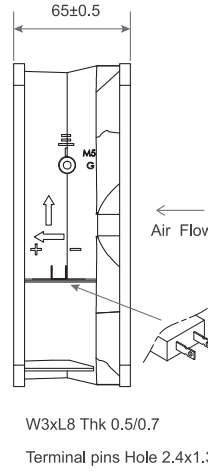
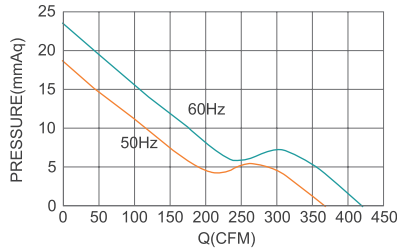
AC Axial Fan SA18065 SK SERIES 180X180X65mm

DIMENSIONS DRAWING UNIT : mm



- Frame : Aluminum
外框材質：鋁框
- Impeller : Thermoplastic PBT UL 94-V0
扇葉材質：環保防火PBT
- Ingress Protection : Optional IP54 or IP56
防護等級：可選擇 IP54 或 IP56
- Weight : 1800g
風扇單體重量：1800克

P&Q Curve At Rated Voltage



Model No.	Bearing Type	Voltage (VAC)	Frequency (Hz)	Current (A)	Power (W)	Speed (RPM)	Air Flow (CFM)	Air Flow (m ³ /min)	Air Pressure (mmH ₂ O)	Air Pressure (Inch H ₂ O)	Noise (dBA)
SA18065B1Hx	◎	100~120	50 / 60	0.54 / 0.50	50 / 52	2800 / 3250	366 / 420	10.3 / 11.9	18.8 / 23.6	0.74 / 0.93	60 / 63
SA18065B2Hx	◎	200~240	50 / 60	0.23 / 0.24	43 / 52	2800 / 3250	366 / 420	10.3 / 11.9	18.8 / 23.6	0.74 / 0.93	60 / 63



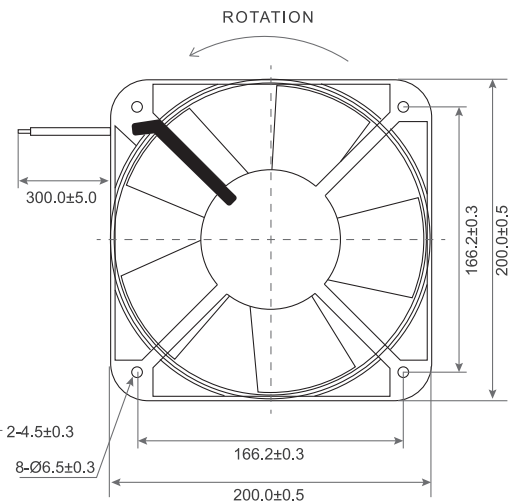
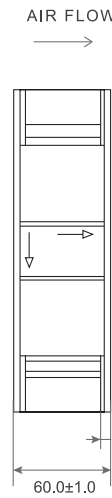
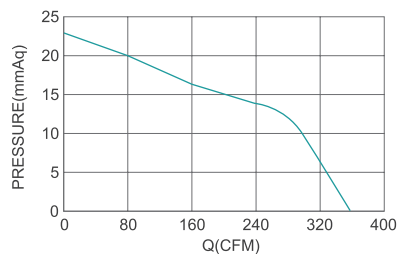
AC Axial Fan SA20060 R SERIES 200X200X60mm

DIMENSIONS DRAWING UNIT : mm



- Frame : Aluminum
外框材質：鋁框
- Impeller : Thermoplastic PBT UL 94-V0
扇葉材質：環保防火PBT
- Ingress Protection : Optional IP54 or IP56
防護等級：可選擇 IP54 或 IP56
- Weight : 1625g
風扇單體重量：1625克

P&Q Curve At Rated Voltage

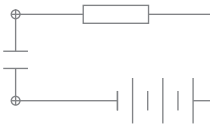


Model No.	Bearing Type	Voltage (VAC)	Frequency (Hz)	Current (A)	Power (W)	Speed (RPM)	Air Flow (CFM)	Air Flow (m ³ /min)	Air Pressure (mmH ₂ O)	Air Pressure (Inch H ₂ O)	Noise (dBA)
SA20060B1HL	◎	110-120	50 / 60	0.50	47	2400	360	8.50	22.86	0.90	56
SA20060B2HL	◎	220-240	50 / 60	0.32	42	2400	360	8.50	22.86	0.90	56
SA20060B3HL	◎	380	50 / 60	0.17	40	2400	360	8.50	22.86	0.90	56

Type X could be T (Terminals) or L (Lead Wire) ◎ : Ball ※ : Sleeve

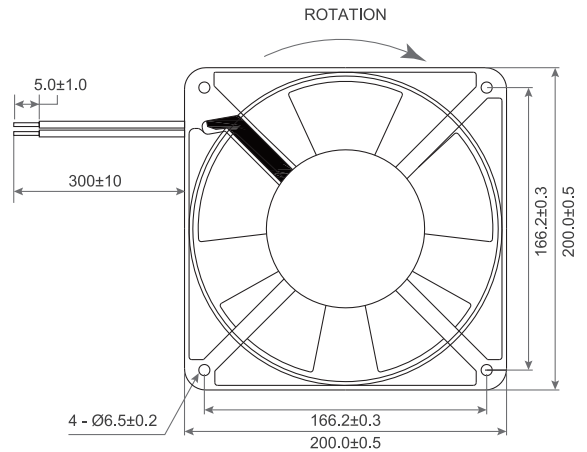
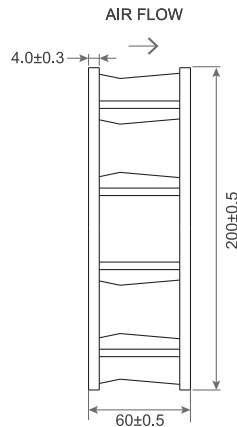
★如果您需要的轉速或電壓或功能不在這份清單上，請與我們業務聯繫 If you need another RPM or Voltage or Functions which one is not in the list, please contact us.

★產品詳細數據及功能請參閱承認書 Please see the approval sheet for more information. ★產品規格變更不另行通知 Specifications are subject to change without notice. A28



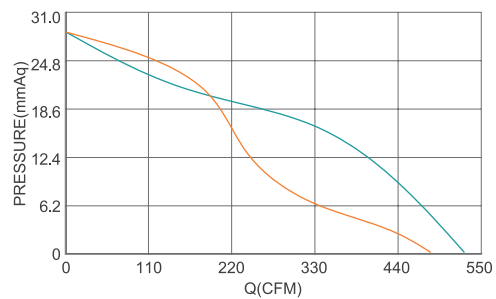
AC Axial Fan SA20060 U SERIES 200X200X60mm

DIMENSIONS DRAWING UNIT : mm



- Frame : Aluminum
外框材質：鋁框
- Impeller : Thermoplastic PBT UL 94-V0
扇葉材質：環保防火PBT
- Ingress Protection : Optional IP55
防護等級：可選擇 IP55
- Weight : 1540g
風扇單體重量：1540克

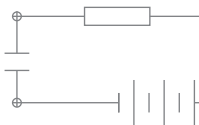
P&Q Curve At Rated Voltage



Model No.	Bearing Type	Voltage (VAC)	Frequency (Hz)	Current (A)	Power (W)	Speed (RPM)	Air Flow (CFM)	Air Flow (m ³ /min)	Air Pressure (mmH ₂ O)	Air Pressure (Inch H ₂ O)	Noise (dBA)
SA20060B1ML	◎	110-120	50 / 60	0.28 / 0.30	32	2850	480	13.59	30.48	1.20	52
SA20060B1HL	◎	110-120	50 / 60	0.16 / 0.17	35	3200	520	14.72	30.48	1.20	54
SA20060B2ML	◎	220-240	50 / 60	0.28 / 0.30	32	2850	480	13.57	30.48	1.20	52
SA20060B2HL	◎	220-240	50 / 60	0.16 / 0.17	35	3200	520	14.72	30.48	1.20	54
SA20060S1ML	※	110-120	50 / 60	0.28 / 0.30	32	2850	480	13.59	30.48	1.20	52
SA20060S1HL	※	110-120	50 / 60	0.16 / 0.17	35	3200	520	14.72	30.48	1.20	54
SA20060S2ML	※	220-240	50 / 60	0.28 / 0.30	32	2850	480	13.57	30.48	1.20	52
SA20060S2HL	※	220-240	50 / 60	0.16 / 0.17	35	3200	520	14.72	30.48	1.20	54

Type ◎ could be ① (Terminals) or ② (Lead Wire) ◎ : Ball ※ : Sleeve

★如果您需要的轉速或電壓或功能不在這份清單上，請與我們業務聯繫 If you need another RPM or Voltage or Functions which one is not in the list, please contact us.

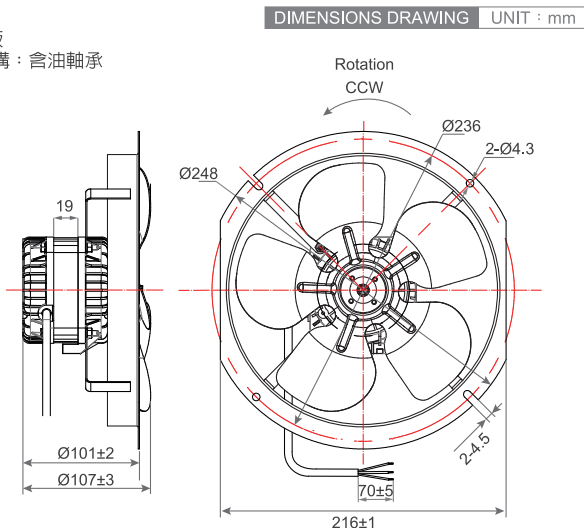
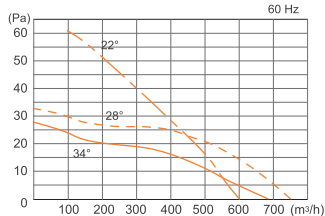
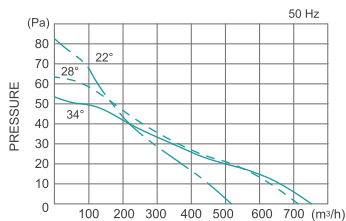


AC Square shaded-pole motors SA200 FY SERIES 8" \varnothing 200mmX100mm

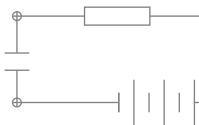


- Material : Cold rolled steel 材質：冷軋鋼板
- Bearing System : Sleeve Bearing 軸承結構：含油軸承
- Protection Class : IP41 防護等級：IP44
- This model has 22°、28°、34° three blade angles to choose from
可選扇葉角度22°、28°、34°

P&Q Curve At Rated Voltage



Model No.	Voltage (VAC)	Frequency (Hz)	Current (A)	Power (W)	Speed (RPM)	Air Flow (CFM)	Air Flow (m ³ /min)	Air Pressure (mmH ₂ O)	Air Pressure (Inch H ₂ O)	Noise (dBA)
SA200100S2HL	220 - 240	50 / 60	≤0.25	40	1300 / 1550	270 / 310	7.64 / 8.77	2.32 / 3.23	0.27 / 0.14	45 / 45

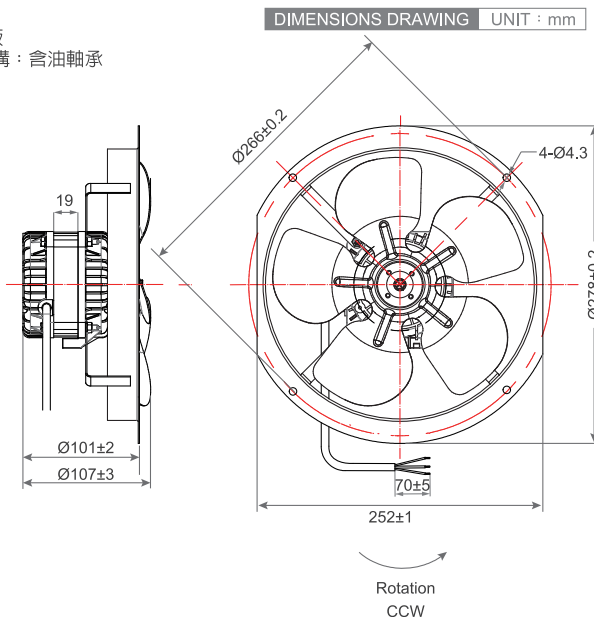
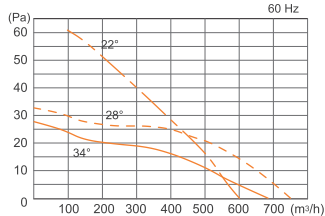
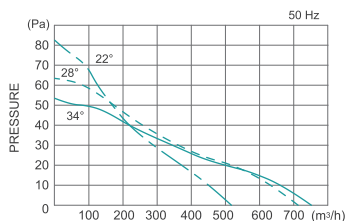


AC Square shaded-pole motors SA230 FY SERIES 9" \varnothing 230mmX100mm

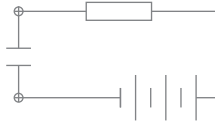


- Material : Cold rolled steel 材質：冷軋鋼板
- Bearing System : Sleeve Bearing 軸承結構：含油軸承
- Protection Class : IP41 防護等級：IP44
- This model has 22°、28°、34° three blade angles to choose from
可選扇葉角度22°、28°、34°

P&Q Curve At Rated Voltage

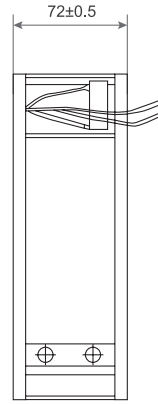


Model No.	Voltage (VAC)	Frequency (Hz)	Current (A)	Power (W)	Speed (RPM)	Air Flow (CFM)	Air Flow (m ³ /min)	Air Pressure (mmH ₂ O)	Air Pressure (Inch H ₂ O)	Noise (dBA)
SA230100S1HL	110 - 120	60	0.53	10	1550	382	10.86	3.08	0.33	58.5
SA230100S2HL	220 - 240	50 / 60	0.26	40	1300	382	10.86	3.08	0.33	58.5

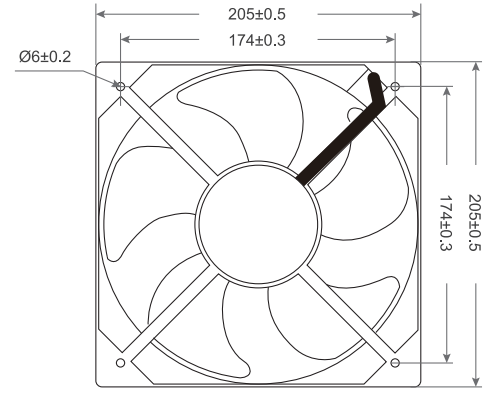


AC Axial Fan SA20572 J SERIES 205X205X72mm

DIMENSIONS DRAWING UNIT : mm



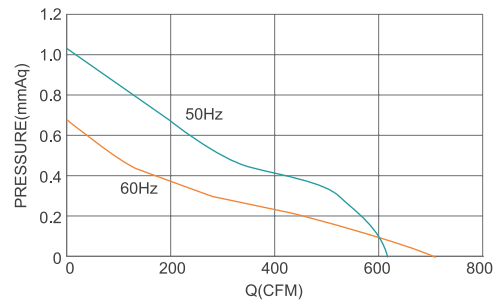
AIR FLOW



Rotation Direction

- Frame : Aluminum
外框材質：鋁框
- Impeller : Thermoplastic PBT UL 94-V0
扇葉材質：環保防火PBT
- Ingress Protection : Optional IP55 or IP68
防護等級：可選擇 IP55或IP68
- Weight : 2100g
風扇單體重量：2100克

P&Q Curve At Rated Voltage

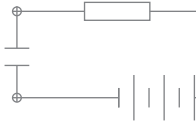


Model No.	Bearing Type	Voltage (VAC)	Frequency (Hz)	Current (A)	Power (W)	Speed (RPM)	Air Flow (CFM)	Air Flow (m ³ /min)	Air Pressure (mmH ₂ O)	Air Pressure (Inch H ₂ O)	Noise (dBA)
SA20572B1Hx	◎	115	50 / 60	0.61 / 0.86	65 / 102	2850 / 3200	630 / 660	17.8 / 18.7	24.64 / 27.69	0.97 / 1.09	61 / 64
SA20572B2Hx	◎	230	50 / 60	0.32 / 0.45	63 / 95	2850 / 3200	630 / 660	17.8 / 18.7	24.64 / 27.69	0.97 / 1.09	61 / 64

Type X could be T (Terminals) or L (Lead Wire) ◎ : Ball ※ : Sleeve

★如果您需要的轉速或電壓或功能不在這份清單上，請與我們業務聯繫 If you need another RPM or Voltage or Functions which one is not in the list, please contact us.

■ A31 ★產品詳細數據及功能請參閱承認書 Please see the approval sheet for more information . ★產品規格變更不另行通知 Specifications are subject to change without notice.

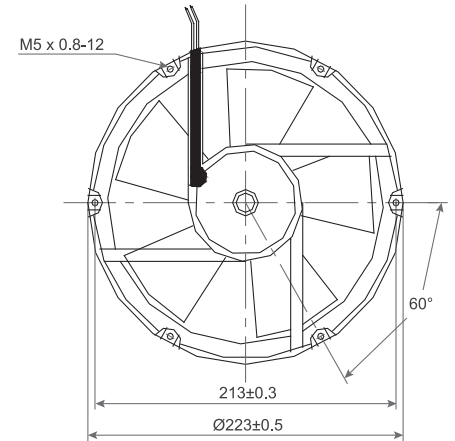
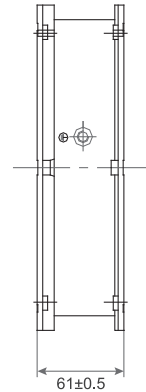
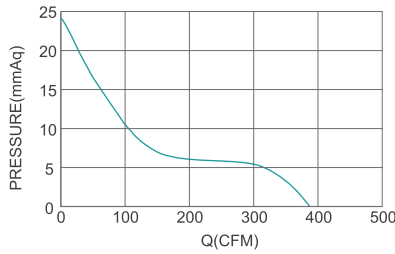


AC Axial Fan SA22060 SERIES Ø220X60mm



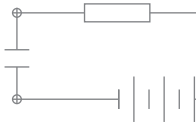
- Frame : Aluminum
外框材質：鋁框
- Impeller : Thermoplastic PBT UL 94-V0
扇葉材質：環保防火PBT
- Ingress Protection : Optional IP54 or IP56
防護等級：可選擇 IP54 或 IP56
- Weight : 1400g
風扇單體重量：1400克

P&Q Curve At Rated Voltage



DIMENSIONS DRAWING UNIT : mm

Model No.	Bearing Type	Voltage (VAC)	Frequency (Hz)	Current (A)	Power (W)	Speed (RPM)	Air Flow (CFM)	Air Flow (m ³ /min)	Air Pressure (mmH ₂ O)	Air Pressure (Inch H ₂ O)	Noise (dBA)
SA22060B2Hx	◎	220-240	50	0.29	46	2350	390	11	24	0.96	61

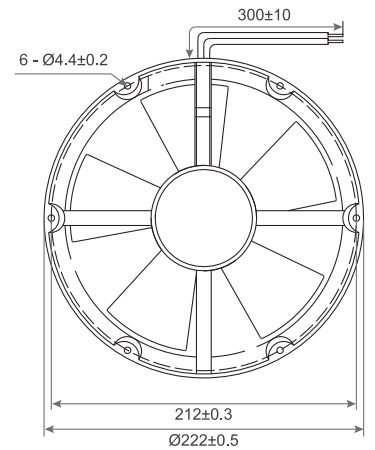
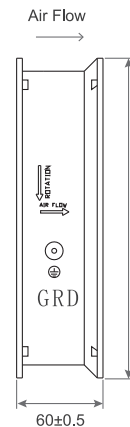
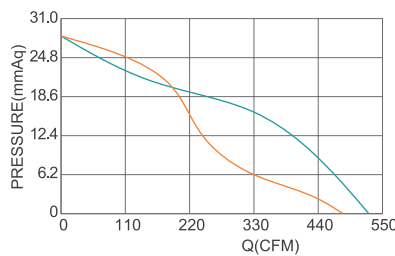


AC Axial Fan SA22060 U SERIES Ø220X60mm



- Frame : Thermoplastic PBT UL 94-V0
外框材質：環保防火PBT
- Impeller : Metal
扇葉材質：金屬葉
- Ingress Protection : Optional IP54 or IP56
防護等級：可選擇 IP54 或 IP56
- Weight : 1400g
風扇單體重量：1400克

P&Q Curve At Rated Voltage



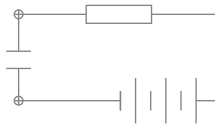
DIMENSIONS DRAWING UNIT : mm

Model No.	Bearing Type	Voltage (VAC)	Frequency (Hz)	Current (A)	Power (W)	Speed (RPM)	Air Flow (CFM)	Air Flow (m ³ /min)	Air Pressure (mmH ₂ O)	Air Pressure (Inch H ₂ O)	Noise (dBA)
SA22060B1ML	◎	110-120	50 / 60	0.28 / 0.30	32	2850	480	13.59	30.48	1.20	52
SA22060B1HL	◎	110-120	50 / 60	0.16 / 0.17	35	3200	520	14.72	30.48	1.20	54
SA22060B2ML	◎	220-240	50 / 60	0.28 / 0.30	32	2850	480	13.57	30.48	1.20	52
SA22060B2HL	◎	220-240	50 / 60	0.16 / 0.17	35	3200	520	14.72	30.48	1.20	54

Type X could be T (Terminals) or L (Lead Wire) ◎ : Ball ※ : Sleeve

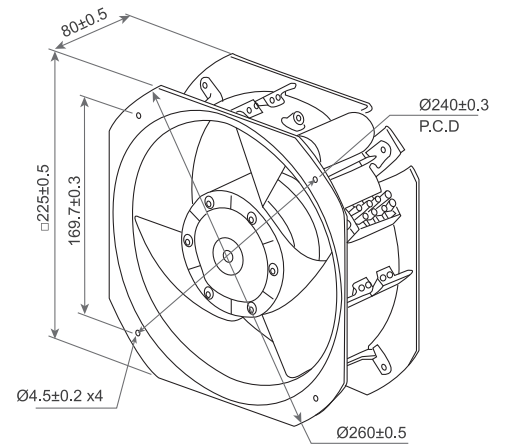
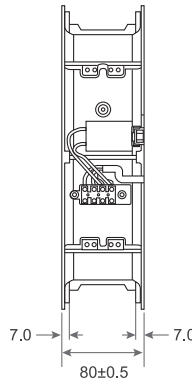
★如果您需要的轉速或電壓或功能不在這份清單上，請與我們業務聯繫 If you need another RPM or Voltage or Functions which one is not in the list, please contact us.

★產品詳細數據及功能請參閱承認書 Please see the approval sheet for more information. ★產品規格變更不另行通知 Specifications are subject to change without notice. A32



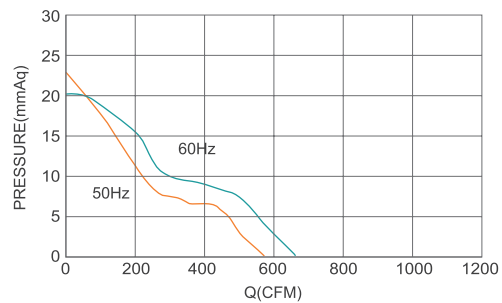
AC Axial Fan SDA22580 SERIES 225X225X80mm

DIMENSIONS DRAWING UNIT : mm



- Frame : Aluminum
外框材質 : 鋁框
- Impeller : Metal
扇葉材質 : 金屬葉
- Ingress Protection : Optional IP54 or IP56
防護等級 : 可選擇 IP54或IP56
- Weight : 2750g
風扇單體重量 : 2750克

P&Q Curve At Rated Voltage

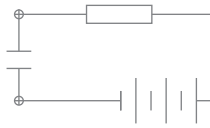


Model No.	Bearing Type	Voltage (VAC)	Frequency (Hz)	Current (A)	Power (W)	Speed (RPM)	Air Flow (CFM)	Air Flow (m ³ /min)	Air Pressure (mmH ₂ O)	Air Pressure (Inch H ₂ O)	Noise (dBA)
SDA22580B1HK	◎	115	50 / 60	0.61 / 0.62	53 / 68	2800 / 3200	580 / 670	16.4 / 19.0	23.5 / 20.5	0.93 / 0.81	68 / 71
SDA22580B2HK	◎	230	50 / 60	0.26 / 0.31	53 / 68	2800 / 3200	580 / 670	16.4 / 19.0	23.5 / 20.5	0.93 / 0.81	68 / 71
SDA22580B2HK(3ø)	◎	230	50 / 60	0.28 / 0.26	49 / 65	2800 / 3200	590 / 670	16.7 / 19.0	23.4 / 26.8	0.92 / 1.06	68 / 71
SDA22580B3HK(3ø)	◎	380	50 / 60	0.18 / 0.16	56 / 70	2800 / 3250	590 / 670	16.7 / 19.0	23.4 / 26.8	0.92 / 1.06	68 / 71
SDA22580B4HK(3ø)	◎	440	50 / 60	0.22 / 0.18	69 / 78	2850 / 3300	600 / 690	17.0 / 19.5	23.6 / 27.4	0.93 / 1.08	69 / 72
SDA22580B48K(3ø)	◎	480	50 / 60	0.08 / 0.09	43 / 60	2750 / 3100	580 / 650	16.4 / 18.4	23.0 / 25.8	0.91 / 1.02	67 / 70

Type X could be T (Terminals) or L (Lead Wire) ◎ : Ball ※ : Sleeve

★如果您需要的轉速或電壓或功能不在這份清單上，請與我們業務聯繫 If you need another RPM or Voltage or Functions which one is not in the list, please contact us.

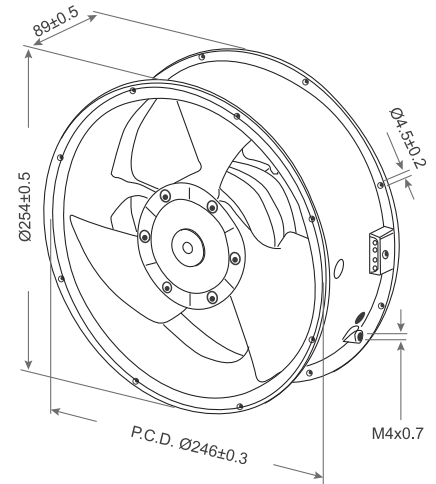
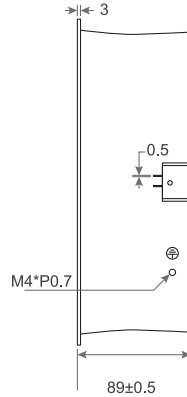
■ A33 ★產品詳細數據及功能請參閱承認書 Please see the approval sheet for more information . ★產品規格變更不另行通知 Specifications are subject to change without notice.



AC Axial Fan

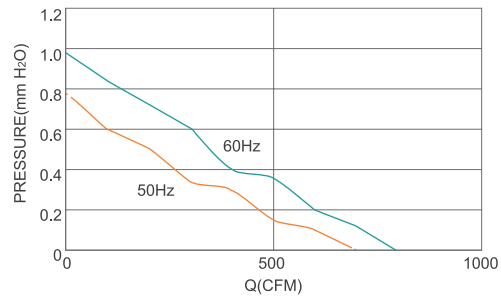
SDA25489 SERIES Ø254X89mm

DIMENSIONS DRAWING UNIT : mm



- Frame : Aluminum
外框材質：鋁框
- Impeller : Metal
扇葉材質：金屬葉
- Ingress Protection : Optional IP54 or IP56 or IP68
防護等級：可選擇 IP54或IP56或IP68
- Weight : 2750g
風扇單體重量：2750克

P&Q Curve At Rated Voltage



Model No.	Bearing Type	Voltage (VAC)	Frequency (Hz)	Current (A)	Power (W)	Speed (RPM)	Air Flow (CFM)	Air Flow (m ³ /min)	Air Pressure (mmH ₂ O)	Air Pressure (Inch H ₂ O)	Noise (dBA)
SDA25489B1Hx.U	◎	115	50 / 60	0.59 / 0.86	66 / 95	2800 / 3200	740 / 860	66 / 68	22.5 / 21.5	0.89 / 0.85	66 / 68
SDA25489B2Hx.U	◎	230	50 / 60	0.28 / 0.43	66 / 95	2800 / 3200	740 / 860	66 / 68	22.5 / 21.5	0.89 / 0.85	66 / 68
SDA25489B1Lx.U	◎	115	50 / 60	0.21 / 0.24	24 / 26	1400 / 1650	370 / 440	52 / 54	6.3 / 7.9	0.25 / 0.31	52 / 54
SDA25489B2Lx.U	◎	230	50 / 60	0.11 / 0.12	24 / 26	1400 / 1650	370 / 440	52 / 54	6.3 / 7.9	0.25 / 0.31	52 / 54
SDA25489B2HL.U(3ø)	◎	230	50 / 60	0.24 / 0.26	57 / 80	2750 / 3100	732 / 823	65 / 67	21.0 / 24.0	0.83 / 0.95	65 / 67
SDA25489B3HL.U(3ø)	◎	380	50 / 60	0.23 / 0.20	68 / 89	2800 / 3250	750 / 874	66 / 68	22.0 / 25.0	0.87 / 0.98	66 / 68
SDA25489B4HL.U(3ø)	◎	440	50 / 60	0.30 / 0.23	85 / 97	2850 / 3300	768 / 897	67 / 69	22.0 / 26.0	0.87 / 1.02	67 / 69

Type X could be T (Terminals) or L (Lead Wire) ◎ : Ball ※ : Sleeve

★如果您需要的轉速或電壓或功能不在這份清單上，請與我們業務聯繫 If you need another RPM or Voltage or Functions which one is not in the list, please contact us.

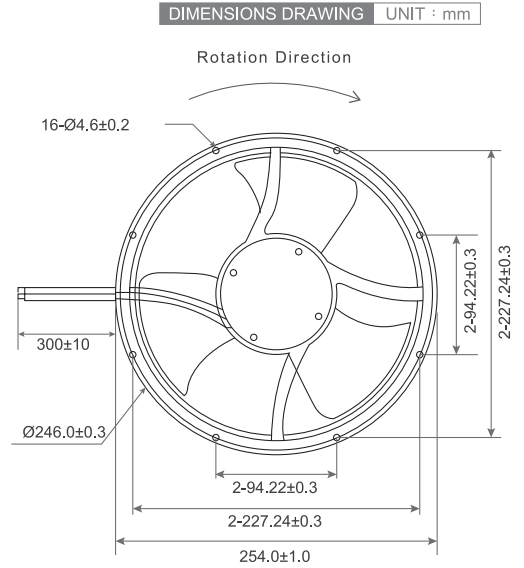
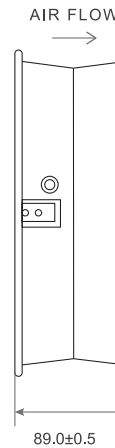
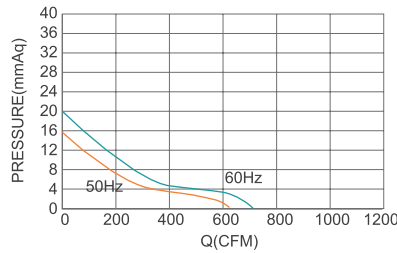
★產品詳細數據及功能請參閱承認書 Please see the approval sheet for more information . ★產品規格變更不另行通知 Specifications are subject to change without notice. ■ A34

AC Axial Fan SA25489 R SERIES Ø254X89mm



- Frame : Aluminum
外框材質：鋁框
- Impeller : Thermoplastic PBT UL 94-V0
扇葉材質：環保防火PBT
- Ingress Protection : Optional IP54 or IP56
防護等級：可選擇 IP54 或 IP56
- Weight : 2410g
風扇單體重量：2410克

P&Q Curve At Rated Voltage



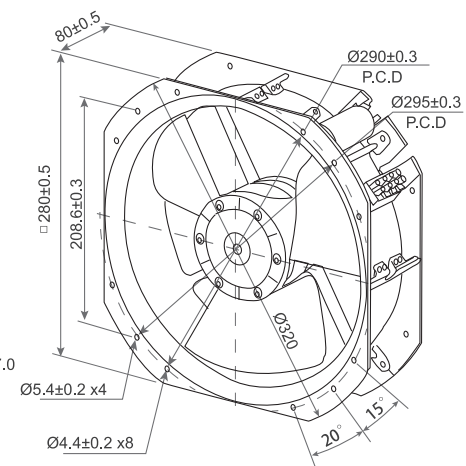
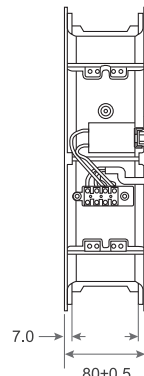
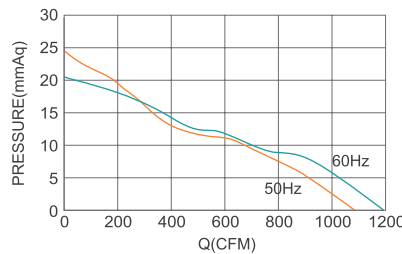
Model No.	Bearing Type	Voltage (VAC)	Frequency (Hz)	Current (A)	Power (W)	Speed (RPM)	Air Flow (CFM)	Air Flow (m ³ /min)	Air Pressure (mmH ₂ O)	Air Pressure (Inch H ₂ O)	Noise (dBA)
SA25489B1HL	◎	110-120	50 / 60	0.32 / 0.30	35 / 30	1800 / 2000	620 / 680	17.5 / 19.2	12.7 / 14.0	0.50 / 0.55	-
SA25489B2HL	◎	220-240	50 / 60	0.15 / 0.14	33 / 31	1800 / 2000	620 / 680	17.5 / 19.2	12.7 / 14.0	0.50 / 0.55	-

AC Axial Fan SDA28080 SERIES 280X280X80mm



- Frame : Aluminum
外框材質：鋁框
- Impeller : Thermoplastic PBT UL 94-V0
扇葉材質：環保防火PBT
- Ingress Protection : Optional IP54 or IP56
防護等級：可選擇 IP54 或 IP56
- Weight : 3150g
風扇單體重量：3150克

P&Q Curve At Rated Voltage



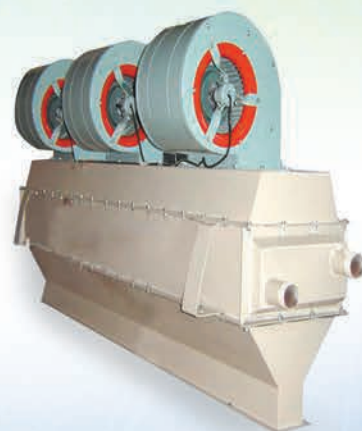
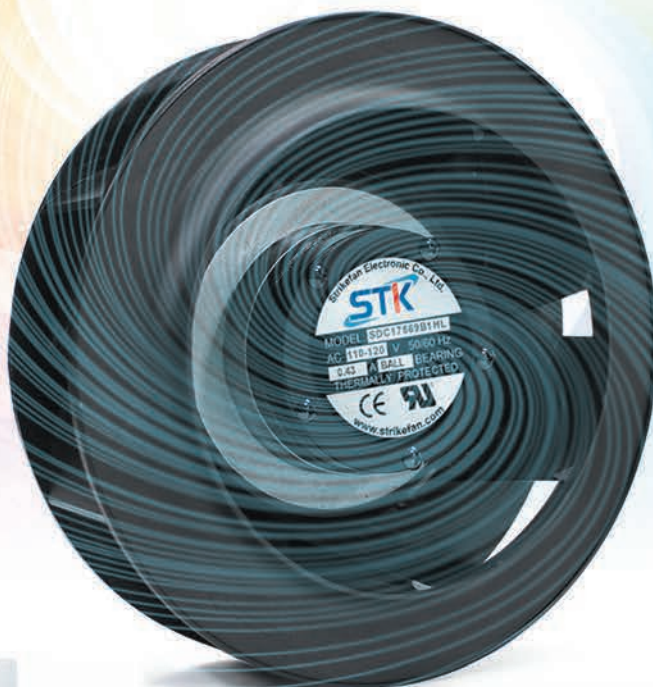
Model No.	Bearing Type	Voltage (VAC)	Frequency (Hz)	Current (A)	Power (W)	Speed (RPM)	Air Flow (CFM)	Air Flow (m ³ /min)	Air Pressure (mmH ₂ O)	Air Pressure (Inch H ₂ O)	Noise (dBA)
SDA28080B1HK	◎	115	50 / 60	0.81 / 1.20	95 / 138	2650 / 2900	1090 / 1200	30.9 / 34.0	24.5 / 20.5	0.97 / 0.81	70 / 73
SDA28080B2HK	◎	230	50 / 60	0.43 / 0.63	95 / 138	2650 / 2900	1090 / 1200	30.9 / 34.0	24.5 / 20.5	0.97 / 0.81	70 / 73
SDA28080B2HK(3Ø)	◎	230	50 / 60	0.28 / 0.32	77 / 106	2650 / 2900	1090 / 1200	30.9 / 34.0	24.5 / 26.3	0.97 / 1.04	70 / 73
SDA28080B3HK(3Ø)	◎	380	50 / 60	0.24 / 0.24	88 / 120	2750 / 3100	1100 / 1250	31.1 / 35.4	25.6 / 28.6	1.01 / 1.13	71 / 75
SDA28080B4HK(3Ø)	◎	440	50 / 60	0.30 / 0.26	108 / 132	2800 / 3200	1150 / 1300	32.6 / 36.8	25.9 / 29.7	1.02 / 1.17	72 / 76
SDA28080B48K(3Ø)	◎	480	50 / 60	0.21 / 0.20	92 / 120	2800 / 3200	1150 / 1300	32.6 / 36.8	25.7 / 29.1	1.01 / 1.15	72 / 76

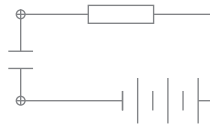
Type X could be T (Terminals) or L (Lead Wire) ◎ : Ball ※ : Sleeve

★如果您需要的轉速或電壓或功能不在這份清單上，請與我們業務聯繫 If you need another RPM or Voltage or Functions which one is not in the list, please contact us.

★產品詳細數據及功能請參閱承認書 Please see the approval sheet for more information . ★產品規格變更不另行通知 Specifications are subject to change without notice.

Centrifugal FAN



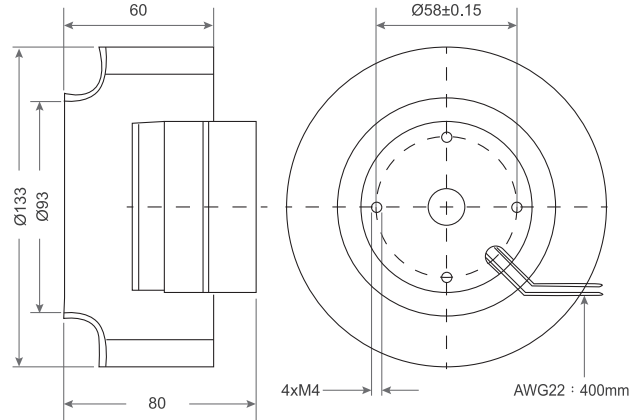
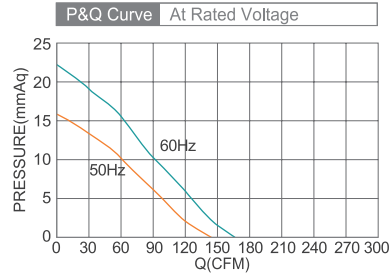


AC Centrifugal Fan SDC13380 SERIES $\phi 133 \times 80 \text{mm}$

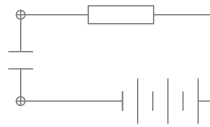


- Material : Thermoplastic PBT UL94-V0
材質：環保防火PBT
- Bearing System : Two Ball Bearing
軸承結構：滾珠軸承
- Protection Class : IP54
防護等級：IP54
- Weight : 800g
風扇單體重量：800克

DIMENSIONS DRAWING UNIT : mm



Model No.	Voltage (VAC)	Frequency (Hz)	Current (A)	Power (W)	Speed (RPM)	Air Flow (CFM)	Air Flow (m ³ /min)	Air Pressure (mmH ₂ O)	Air Pressure (Inch H ₂ O)	Noise (dBA)
SDC13380B1HL	115	50 / 60	0.26 / 0.24	26 / 28	2800 / 3200	145 / 165	4.1 / 4.7	15 / 21	0.59 / 0.83	62 / 65
SDC13380B2HL	230	50 / 60	0.10 / 0.12	23 / 27	2800 / 3200	145 / 165	4.1 / 4.7	15 / 21	0.59 / 0.83	62 / 65

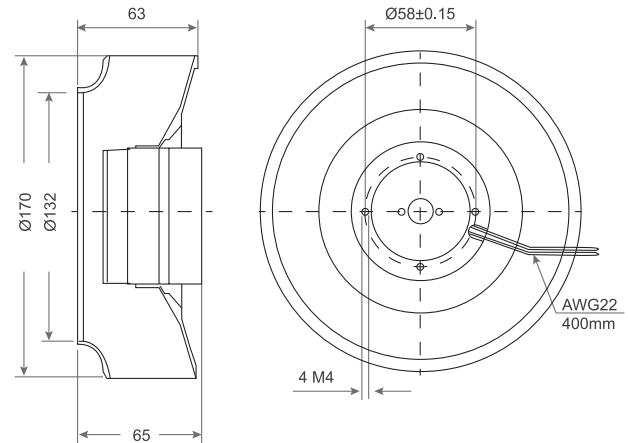
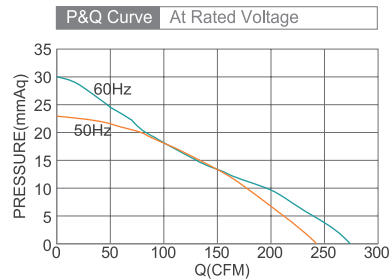


AC Centrifugal Fan SDC17065 SERIES $\phi 170 \times 65 \text{mm}$



- Material : Thermoplastic PBT UL94-V0
材質：環保防火PBT
- Bearing System : Two Ball Bearing
軸承結構：滾珠軸承
- Protection Class : IP54
防護等級：IP54
- Weight : 900g
風扇單體重量：900克

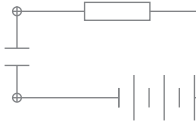
DIMENSIONS DRAWING UNIT : mm



Model No.	Voltage (VAC)	Frequency (Hz)	Current (A)	Power (W)	Speed (RPM)	Air Flow (CFM)	Air Flow (m ³ /min)	Air Pressure (mmH ₂ O)	Air Pressure (Inch H ₂ O)	Noise (dBA)
SDC17065B1HL	115	50 / 60	0.26 / 0.27	27 / 31	2750 / 3100	243 / 276	6.88 / 7.81	20 / 30	0.91 / 1.18	67 / 69
SDC17065B2HL	230	50 / 60	0.10 / 0.13	24 / 30	2750 / 3100	243 / 276	6.88 / 7.81	20 / 30	0.91 / 1.18	67 / 69
SDC17065B3HL	380	50 / 60	0.08 / 0.09	30 / 34	2750 / 3100	243 / 276	6.88 / 7.81	20 / 30	0.91 / 1.18	67 / 69
SDC17065B3HL(3 ϕ)	380	50 / 60	0.05 / 0.05	24 / 31	2700 / 2900	240 / 255	6.79 / 7.22	23 / 28	0.91 / 1.10	67 / 68

★如果您需要的轉速或電壓或功能不在這份清單上，請與我們業務聯繫 If you need another RPM or Voltage or Functions which one is not in the list, please contact us.

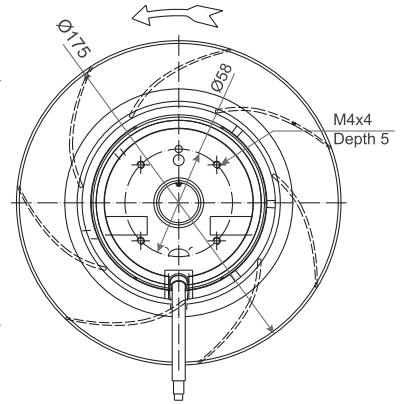
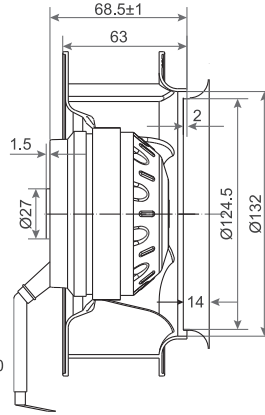
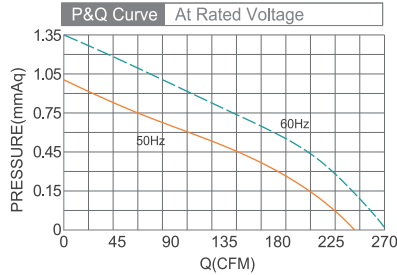
★產品詳細數據及功能請參閱承認書 Please see the approval sheet for more information . ★產品規格變更不另行通知 Specifications are subject to change without notice.



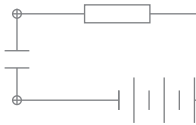
AC Centrifugal Fan SDC17569 AF SERIES $\phi 175 \times 68 \text{mm}$

- Material : Plastic PA66
材質：塑料 PA66
- Bearing System : Two Ball Bearing
軸承結構：滾珠軸承
- Protection Class : IP44
防護等級：IP44

DIMENSIONS DRAWING UNIT : mm



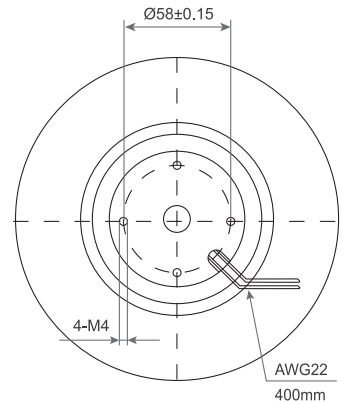
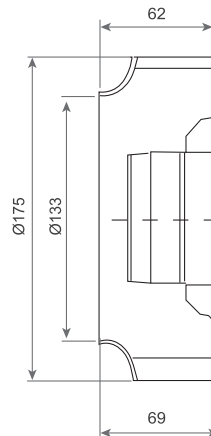
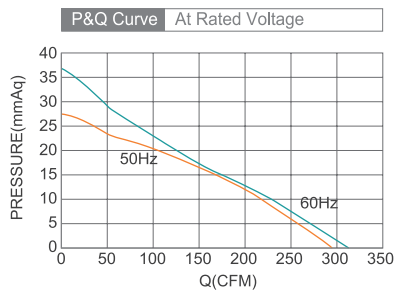
Model No.	Voltage (VAC)	Frequency (HZ)	Current (A)	Power (W)	Speed (RPM)	Capacitor (μF)	Air Flow (CFM)	Air Flow (m^3/min)	Temperature Min / Max($^{\circ}\text{C}$)	Noise (dBA)
SDC17569B2HL	220 / 230	50 / 60	0.24 / 0.32	52 / 66	2500 / 2700	1.5	253	7.2	-30 $^{\circ}\text{C}$ ~ +60 $^{\circ}\text{C}$	64 / 66
SDC17569B2HL.P	220 / 230	50	0.25	52	2530	1.5	253	7.2	-30 $^{\circ}\text{C}$ ~ +60 $^{\circ}\text{C}$	64
SDC17569B2ML.P	220 / 230	50	0.20	45	2150	1.5	215	6.1	-30 $^{\circ}\text{C}$ ~ +60 $^{\circ}\text{C}$	60
SDC17569B2LL.P	220 / 230	50	0.18	42	1850	1.5	185	5.3	-30 $^{\circ}\text{C}$ ~ +60 $^{\circ}\text{C}$	55



AC Centrifugal Fan SDC17569 SERIES $\phi 175 \times 69 \text{mm}$

- Material : Thermoplastic PBT UL94-V0
材質：環保防火PBT
- Bearing System : Two Ball Bearing
軸承結構：滾珠軸承
- Protection Class : IP54
防護等級：IP54
- Weight : 870g
風扇單體重量：870克

DIMENSIONS DRAWING UNIT : mm

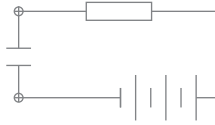


Model No.	Voltage (VAC)	Frequency (Hz)	Current (A)	Power (W)	Speed (RPM)	Air Flow (CFM)	Air Flow (m^3/min)	Air Pressure (mmH ₂ O)	Air Pressure (Inch H ₂ O)	Noise (dBA)
SDC17569B1HL	115	50 / 60	0.48 / 0.54	53 / 63	2600 / 2900	294 / 313	8.32 / 8.86	28 / 37	1.10 / 1.46	66 / 68
SDC17569B2HL	230	50 / 60	0.22 / 0.28	52 / 64	2600 / 2900	294 / 313	8.32 / 8.86	28 / 37	1.10 / 1.46	66 / 68

P Three Speed * High Performance

★如果您需要的轉速或電壓或功能不在這份清單上，請與我們業務聯繫 If you need another RPM or Voltage or Functions which one is not in the list, please contact us.

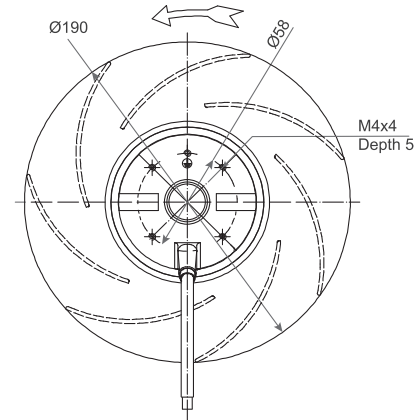
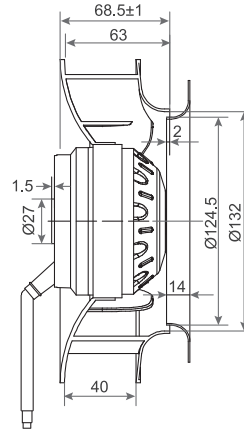
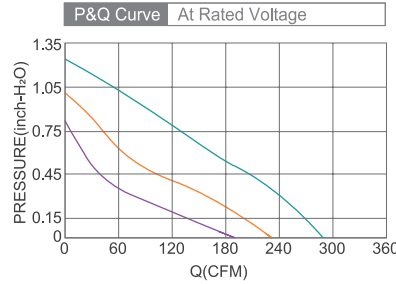
★產品詳細數據及功能請參閱承認書 Please see the approval sheet for more information. ★產品規格變更不另行通知 Specifications are subject to change without notice.



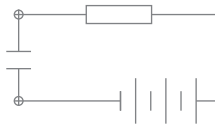
AC Centrifugal Fan SDC19063 AF SERIES $\phi 190 \times 63 \text{mm}$

- Material : Plastic PA66
材質：塑料 PA66
- Bearing System : Two Ball Bearing
軸承結構：滾珠軸承
- Protection Class : IP44
防護等級：IP44

DIMENSIONS DRAWING UNIT : mm



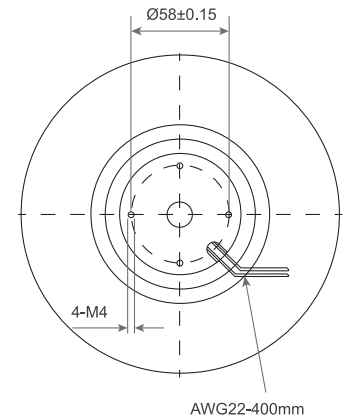
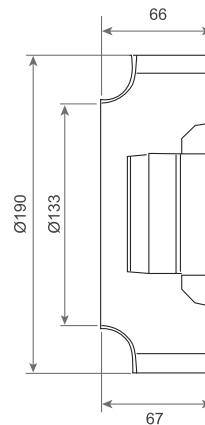
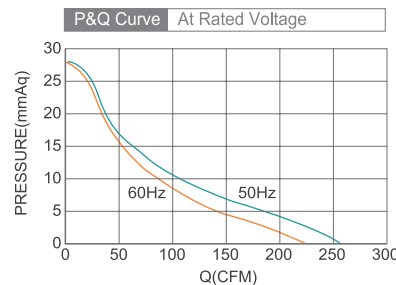
Model No.	Voltage (VAC)	Frequency (HZ)	Current (A)	Power (W)	Speed (RPM)	Capacitor (μF)	Air Flow (CFM)	Air Flow (m^3/min)	Temperature Min / Max($^{\circ}\text{C}$)	Noise (dBA)
SDC19063B2HL	220 / 230	50 / 60	0.27 / 0.35	60 / 76	2500 / 2700	2.0	317 / 350	9.0 / 10.0	-30 $^{\circ}\text{C}$ ~ +60 $^{\circ}\text{C}$	65 / 68
SDC19063B2HL.P	220 / 230	50	0.28	60	2500	2.0	278	8.0	-30 $^{\circ}\text{C}$ ~ +60 $^{\circ}\text{C}$	65
SDC19063B2ML.P	220 / 230	50	0.23	48	2000	2.0	235	7.1	-30 $^{\circ}\text{C}$ ~ +60 $^{\circ}\text{C}$	60
SDC19063B2LL.P	220 / 230	50	0.22	45	1650	2.0	195	5.5	-30 $^{\circ}\text{C}$ ~ +60 $^{\circ}\text{C}$	54



AC Centrifugal Fan SDC19067 SERIES $\phi 190 \times 67 \text{mm}$

- Material : Thermoplastic PBT UL94-V0
材質：環保防火PBT
- Bearing System : Two Ball Bearing
軸承結構：滾珠軸承
- Protection Class : IP54
防護等級：IP54
- Weight : 890g
風扇單體重量：890克

DIMENSIONS DRAWING UNIT : mm

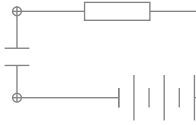


Model No.	Voltage (VAC)	Frequency (Hz)	Current (A)	Power (W)	Speed (RPM)	Air Flow (CFM)	Air Flow (m^3/min)	Air Pressure (mmH ₂ O)	Air Pressure (Inch H ₂ O)	Noise (dBA)
SDC19067B1HL	115	50 / 60	0.39 / 0.42	45 / 48	2000 / 1600	256 / 224	8.32 / 8.86	28 / 28	1.10 / 1.10	61 / 59
SDC19067B2HL	230	50 / 60	0.17 / 0.19	39 / 44	2000 / 1600	256 / 224	8.32 / 8.86	28 / 28	1.10 / 1.10	61 / 59

P Three Speed * High Performance

★如果您需要的轉速或電壓或功能不在這份清單上，請與我們業務聯繫 If you need another RPM or Voltage or Functions which one is not in the list, please contact us.

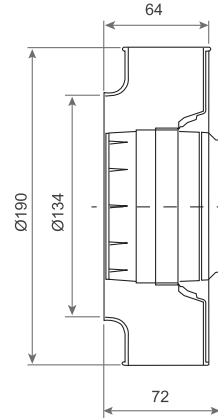
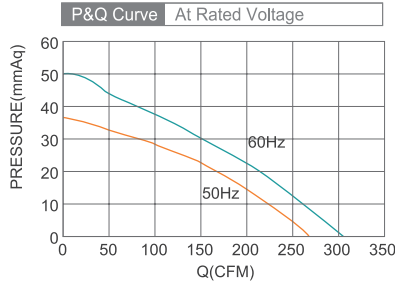
★產品詳細數據及功能請參閱承認書 Please see the approval sheet for more information . ★產品規格變更不另行通知 Specifications are subject to change without notice.



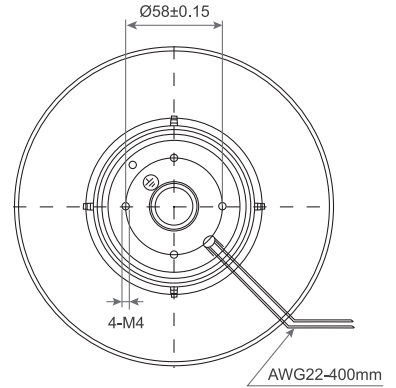
AC Centrifugal Fan SDC19072 SERIES $\phi 190 \times 72 \text{mm}$



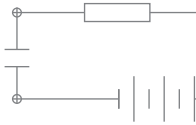
- Material : Thermoplastic PBT UL94-V0
材質：環保防火PBT
- Bearing System : Two Ball Bearing
軸承結構：滾珠軸承
- Protection Class : IP54
防護等級：IP54
- Weight : 1820g
風扇單體重量：1820克



DIMENSIONS DRAWING UNIT : mm



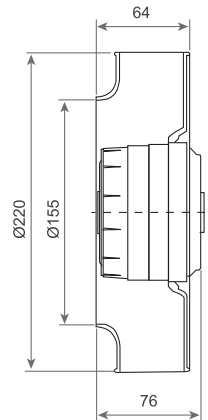
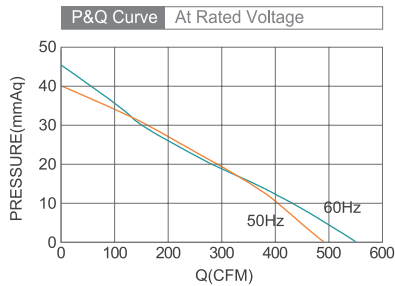
Model No.	Voltage (VAC)	Frequency (Hz)	Current (A)	Power (W)	Speed (RPM)	Air Flow (CFM)	Air Flow (m ³ /min)	Air Pressure (mmH ₂ O)	Air Pressure (Inch H ₂ O)	Noise (dBA)
SDC19072B1HL	115	50 / 60	0.56 / 0.70	58 / 80	2700 / 3100	269 / 304	7.61 / 8.60	37 / 51	1.46 / 2.01	70 / 73
SDC19072B2HL	230	50 / 60	0.26 / 0.34	58 / 80	2700 / 3100	269 / 304	7.61 / 8.60	37 / 51	1.46 / 2.01	70 / 73
SDC19072B3HL(3 ϕ)	380	50 / 60	0.15 / 0.16	57 / 78	2800 / 3150	268 / 310	7.58 / 8.77	38 / 52	1.50 / 2.05	71 / 73



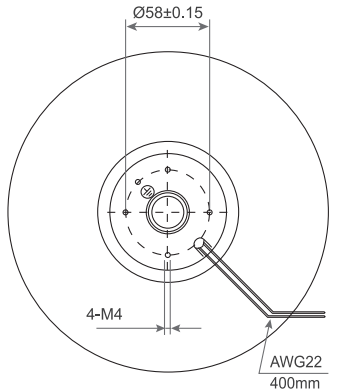
AC Centrifugal Fan SDC22076 SERIES $\phi 220 \times 76 \text{mm}$



- Material : Thermoplastic PBT UL94-V0
材質：環保防火PBT
- Bearing System : Two Ball Bearing
軸承結構：滾珠軸承
- Protection Class : IP54
防護等級：IP54
- Weight : 198g
風扇單體重量：198克



DIMENSIONS DRAWING UNIT : mm



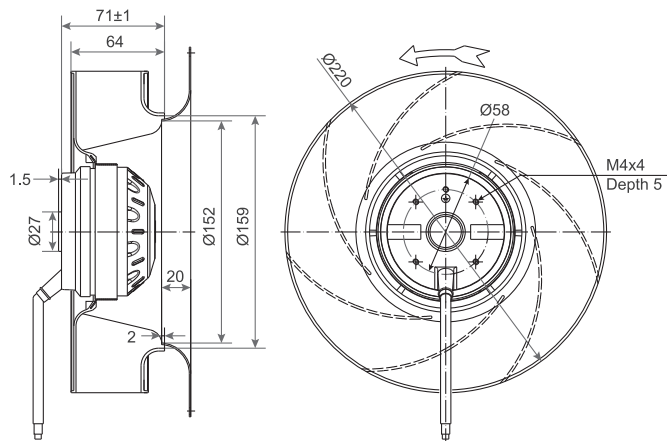
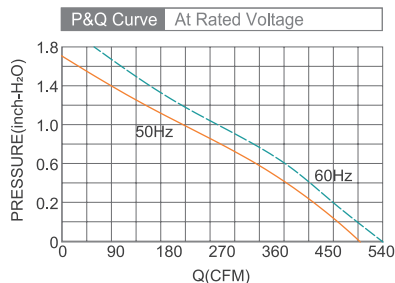
Model No.	Voltage (VAC)	Frequency (Hz)	Current (A)	Power (W)	Speed (RPM)	Air Flow (CFM)	Air Flow (m ³ /min)	Air Pressure (mmH ₂ O)	Air Pressure (Inch H ₂ O)	Noise (dBA)
SDC22076B1HL	115	50 / 60	0.70 / 1.00	82 / 115	2650 / 2950	490 / 550	13.87 / 15.57	40 / 45	1.58 / 2.17	75 / 78
SDC22076B2HL	230	50 / 60	0.35 / 0.50	82 / 115	2650 / 2950	490 / 550	13.87 / 15.57	40 / 45	1.58 / 2.17	75 / 78



AC Centrifugal Fan SDC22064 AF SERIES ø220x64mm

- Material : Plastic PA66
材質：塑料 PA66
- Bearing System : Two Ball Bearing
軸承結構：滾珠軸承
- Protection Class : IP44
防護等級：IP44

DIMENSIONS DRAWING UNIT : mm



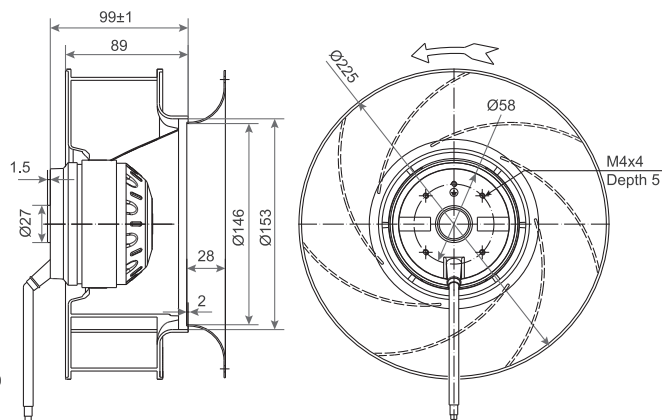
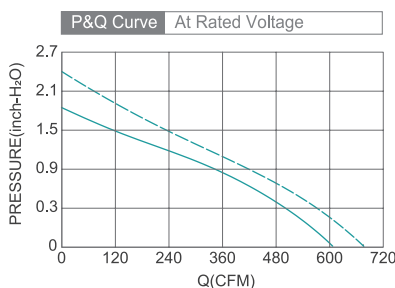
Model No.	Voltage (VAC)	Frequency (HZ)	Current (A)	Power (W)	Speed (RPM)	Capacitor (µF)	Air Flow (CFM)	Air Flow (m ³ /min)	Temperature Min / Max(°C)	Noise (dBA)
SDC22064B2ML	220 / 230	50 / 60	0.23 / 0.19	40 / 41	1420 / 1650	1.5	323 / 359	9.1 / 10.2	-30°C ~ +60°C	52 / 58
SDC22064B2HL	220 / 230	50 / 60	0.41 / 0.46	90 / 100	2500 / 2700	2.5	535 / 570	15.1 / 16.1	-30°C ~ +60°C	70 / 73
SDC22064B2HL.P	220 / 230	50	0.44	95	2500	2.5	470	800	-30°C ~ +60°C	70
SDC22064B2ML.P	220 / 230	50	0.40	90	2300	2.5	441	750	-30°C ~ +60°C	67
SDC22064B2LL.P	220 / 230	50	0.40	88	2000	2.5	394	670	-30°C ~ +60°C	64
SDC22064B3ML	380 / 400	50 / 60	0.08 / 0.10	38 / 41	1400 / 1650	-	323 / 359	9.1 / 10.2	-30°C ~ +60°C	52 / 58
SDC22064B3HL	380 / 400	50 / 60	0.17 / 0.20	85 / 100	2500 / 2700	-	535 / 570	15.1 / 16.1	-30°C ~ +60°C	70 / 73



AC Centrifugal Fan SDC22589 AF SERIES ø225x89mm

- Material : Plastic PA66
材質：塑料 PA66
- Bearing System : Two Ball Bearing
軸承結構：滾珠軸承
- Protection Class : IP44
防護等級：IP44

DIMENSIONS DRAWING UNIT : mm



Model No.	Voltage (VAC)	Frequency (HZ)	Current (A)	Power (W)	Speed (RPM)	Capacitor (µF)	Air Flow (CFM)	Air Flow (m ³ /min)	Temperature Min / Max(°C)	Noise (dBA)
SDC22589B2ML	220 / 230	50 / 60	0.21 / 0.20	45 / 47	1420 / 1650	1.5	353 / 406	10.0 / 11.5	-30°C ~ +60°C	54 / 60
SDC22589B2HL	220 / 230	50 / 60	0.60 / 0.90	135/180	2600 / 2900	4	647 / 735	18.3 / 20.8	-30°C ~ +60°C	74 / 76
SDC22589B3ML	380 / 400	50 / 60	0.13 / 0.13	45 / 47	1420 / 1650	-	353 / 406	10.0 / 11.5	-30°C ~ +60°C	54 / 60
SDC22589B3HL	380 / 400	50 / 60	0.23 / 0.28	135/180	2600 / 2900	-	647 / 735	18.3 / 20.8	-30°C ~ +60°C	74 / 76
SDC22589B2LL.P	220 / 230	50	0.52	115	2290	4	563	15.9	-30°C ~ +60°C	66
SDC22589B2ML.P	220 / 230	50	0.54	120	2500	4	615	17.4	-30°C ~ +60°C	70
SDC22589B2HL.P	220 / 230	50	0.60	125	2630	4	647	18.3	-30°C ~ +60°C	74

P Three Speed

★如果您需要的轉速或電壓或功能不在這份清單上，請與我們業務聯繫 If you need another RPM or Voltage or Functions which one is not in the list, please contact us.

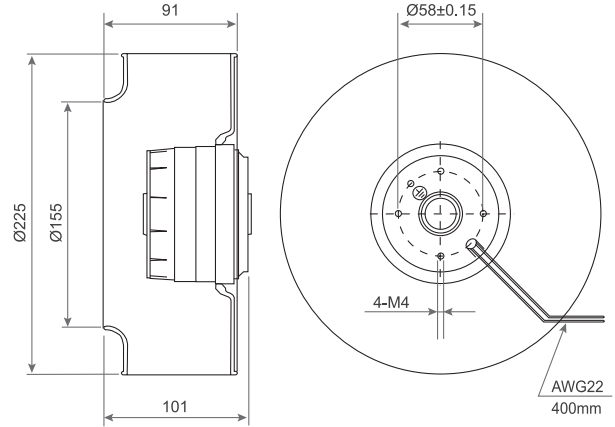
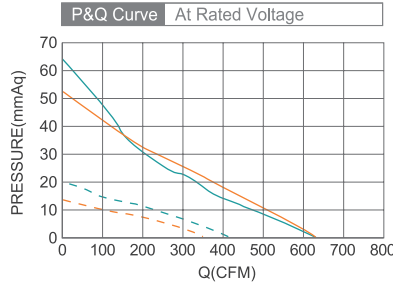
★產品詳細數據及功能請參閱承認書 Please see the approval sheet for more information . ★產品規格變更不另行通知 Specifications are subject to change without notice.



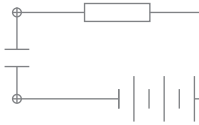
AC Centrifugal Fan SDC22599 SERIES $\phi 225 \times 99 \text{mm}$



- Material : Thermoplastic PBT UL94-V0
材質：環保防火PBT
- Bearing System : Two Ball Bearing
軸承結構：滾珠軸承
- Protection Class : IP54
防護等級：IP54
- Weight : 1985g
風扇單體重量：1985克



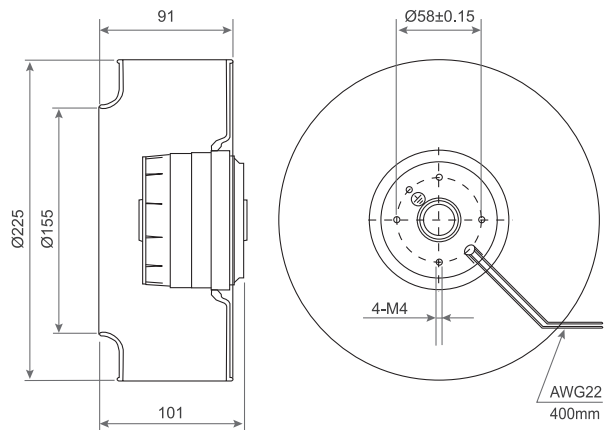
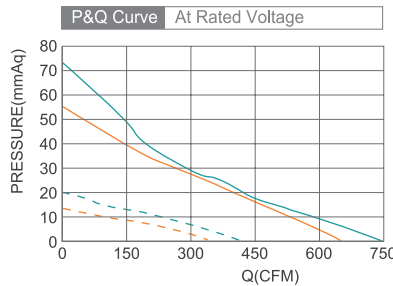
Model No.	Voltage (VAC)	Frequency (Hz)	Current (A)	Power (W)	Speed (RPM)	Air Flow (CFM)	Air Flow (m ³ /min)	Air Pressure (mmH ₂ O)	Air Pressure (Inch H ₂ O)	Noise (dBA)
SDC22599B1HL	115	50 / 60	0.93 / 1.30	109 / 145	2500 / 2500	636 / 635	18.00 / 17.97	52 / 64	2.05 / 2.52	70 / 72
SDC22599B2HL	230	50 / 60	0.49 / 0.67	109 / 145	2500 / 2500	636 / 635	18.00 / 17.97	52 / 64	2.05 / 2.52	70 / 72
SDC22599B1LL	115	50 / 60	0.39 / 0.39	40 / 45	1400 / 1600	347 / 405	9.82 / 11.46	14 / 20	0.55 / 0.79	59 / 61
SDC22599B2LL	230	50 / 60	0.18 / 0.22	40 / 50	1400 / 1600	347 / 405	9.82 / 11.46	14 / 20	0.55 / 0.79	59 / 61
SDC22599B3HL	380	50 / 60	0.32 / 0.43	122 / 163	2250 / 2750	595 / 726	16.92 / 20.55	46 / 70	1.81 / 2.76	68 / 74
*SDC22599B2HL	230	50 / 60	0.58 / 0.84	135 / 195	2650 / 2950	700 / 750	19.81 / 21.23	55 / 74	2.17 / 2.91	73 / 75



AC Centrifugal Fan SDC225101 SERIES $\phi 225 \times 101 \text{mm}$



- Material : Thermoplastic PBT UL94-V0
材質：環保防火PBT
- Bearing System : Two Ball Bearing
軸承結構：滾珠軸承
- Protection Class : IP54
防護等級：IP54
- Weight : 1985g
風扇單體重量：1985克



Model No.	Voltage (VAC)	Frequency (Hz)	Current (A)	Power (W)	Speed (RPM)	Air Flow (CFM)	Air Flow (m ³ /min)	Air Pressure (mmH ₂ O)	Air Pressure (Inch H ₂ O)	Noise (dBA)
SDC225101B1HL	115	50 / 60	0.93 / 1.30	109 / 145	2500 / 2500	636 / 635	18.00 / 17.97	52 / 64	2.05 / 2.52	70 / 72
SDC225101B2HL	230	50 / 60	0.49 / 0.67	109 / 145	2500 / 2500	636 / 635	18.00 / 17.97	52 / 64	2.05 / 2.52	70 / 72
SDC225101B1LL	115	50 / 60	0.39 / 0.39	40 / 45	1400 / 1600	347 / 405	9.82 / 11.46	14 / 20	0.55 / 0.79	59 / 61
SDC225101B2LL	230	50 / 60	0.18 / 0.22	40 / 50	1400 / 1600	347 / 405	9.82 / 11.46	14 / 20	0.55 / 0.79	59 / 61
SDC225101B3HL	380	50 / 60	0.32 / 0.43	122 / 163	2250 / 2750	595 / 726	16.92 / 20.55	46 / 70	1.81 / 2.76	68 / 74
*SDC225101B2HL	230	50 / 60	0.58 / 0.84	135 / 195	2650 / 2950	700 / 750	19.81 / 21.23	55 / 74	2.17 / 2.91	73 / 75

P Three Speed * High Performance

★如果您需要的轉速或電壓或功能不在這份清單上，請與我們業務聯繫 If you need another RPM or Voltage or Functions which one is not in the list, please contact us.

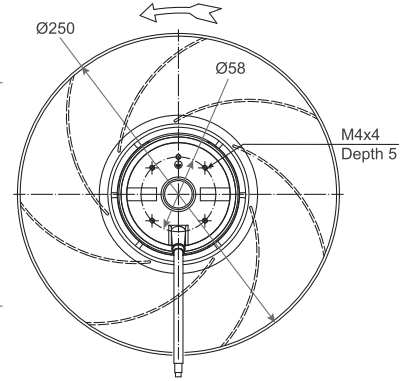
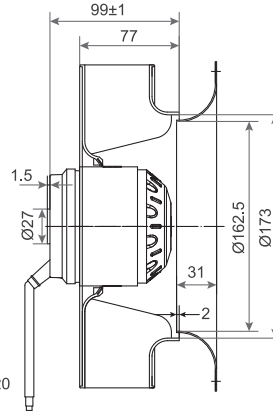
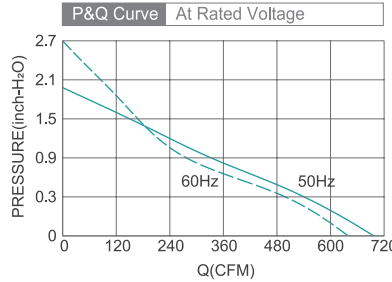
★產品詳細數據及功能請參閱承認書 Please see the approval sheet for more information. ★產品規格變更不另行通知 Specifications are subject to change without notice.

AC Centrifugal Fan SDC25077 AF SERIES ø250x77mm



- Material : Plastic PA66
材質：塑料 PA66
- Bearing System : Two Ball Bearing
軸承結構：滾珠軸承
- Protection Class : IP44
防護等級：IP44

DIMENSIONS DRAWING UNIT : mm



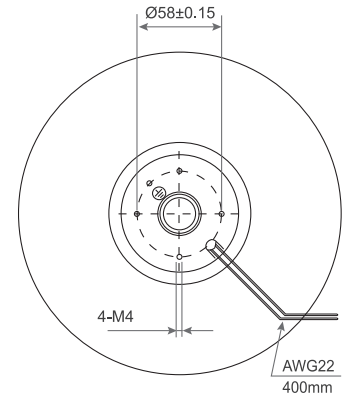
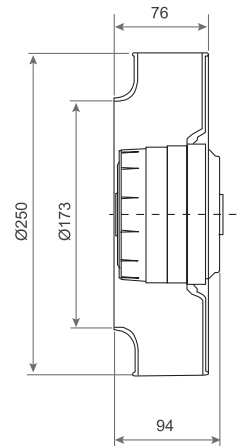
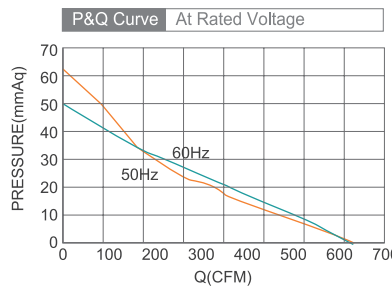
Model No.	Voltage (VAC)	Frequency (HZ)	Current (A)	Power (W)	Speed (RPM)	Capacitor (µF)	Air Flow (CFM)	Air Flow (m³/min)	Temperature Min / Max(°C)	Noise (dBA)
SDC25077B2HL	220 / 230	50 / 60	0.60 / 0.90	135 / 190	2450 / 2600	4	735 / 676	20.8 / 19.2	-30°C ~ +60°C	74 / 76
SDC25077B2ML	220 / 230	50 / 60	0.28 / 0.28	53 / 58	1400 / 1600	2	400 / 470	11.4 / 13.3	-30°C ~ +60°C	61 / 64
SDC25077B3HL	380 / 400	50 / 60	0.32 / 0.38	160 / 185	2450 / 2600	-	735 / 676	20.8 / 19.2	-30°C ~ +60°C	74 / 76
SDC25077B3ML	380 / 400	50 / 60	0.15 / 0.16	53 / 58	1400 / 1600	-	400 / 470	11.4 / 13.3	-30°C ~ +60°C	61 / 64
SDC25077B2HL.P	220 / 230	50	0.62	130	2650	4	676	19.16	-30°C ~ +60°C	76
SDC25077B2ML.P	220 / 230	50	0.58	125	2400	4	641	18.14	-30°C ~ +60°C	70
SDC25077B2LL.P	220 / 230	50	0.56	120	2150	4	588	16.64	-30°C ~ +60°C	65

AC Centrifugal Fan SDC25094 SERIES ø250x94mm



- Material : Thermoplastic PBT UL94-V0
材質：環保防火PBT
- Bearing System : Two Ball Bearing
軸承結構：滾珠軸承
- Protection Class : IP54
防護等級：IP54
- Weight : 2090g
風扇單體重量：2090克

DIMENSIONS DRAWING UNIT : mm

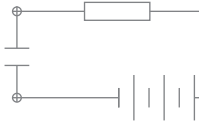


Model No.	Voltage (VAC)	Frequency (Hz)	Current (A)	Power (W)	Speed (RPM)	Air Flow (CFM)	Air Flow (m³/min)	Air Pressure (mmH2O)	Air Pressure (Inch H2O)	Noise (dBA)
SDC25094B1HL	115	50 / 60	0.90 / 1.23	103 / 142	2600 / 2700	619 / 648	17.52 / 18.34	57 / 69	2.25 / 2.72	76 / 78
SDC25094B2HL	230	50 / 60	0.48 / 0.66	106 / 148	2600 / 2700	619 / 648	17.52 / 18.34	57 / 69	2.25 / 2.72	76 / 78
SDC25094B3HL(3ø)	380	50 / 60	0.27 / 0.29	120 / 162	2600 / 2800	619 / 672	17.52 / 19.02	57 / 72	2.25 / 2.84	76 / 78
SDC25094B4HL(3ø)	440	50 / 60	0.34 / 0.30	141 / 180	2700 / 3000	648 / 717	18.34 / 20.29	69 / 77	2.72 / 3.03	77 / 79

P Three Speed

★如果您需要的轉速或電壓或功能不在這份清單上，請與我們業務聯繫 If you need another RPM or Voltage or Functions which one is not in the list, please contact us.

★產品詳細數據及功能請參閱承認書 Please see the approval sheet for more information. ★產品規格變更不另行通知 Specifications are subject to change without notice.

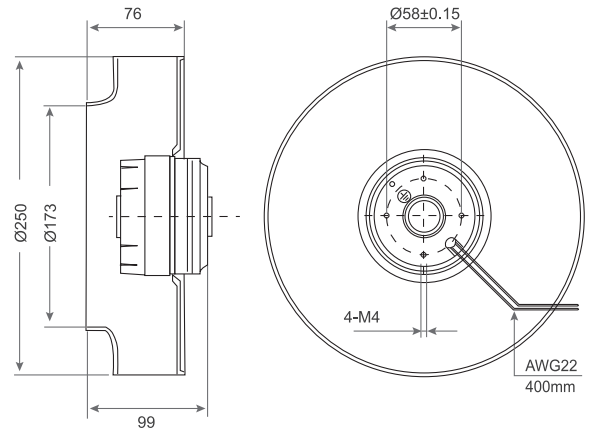
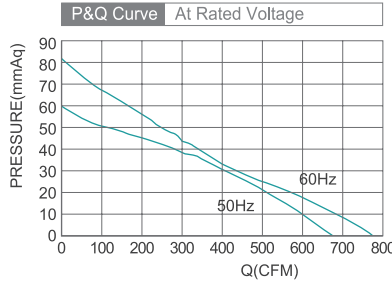


AC Centrifugal Fan SDC25099 SERIES $\phi 250 \times 99 \text{mm}$

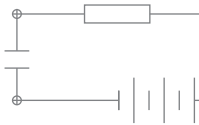


- Material : Thermoplastic PBT UL94-V0
材質：環保防火PBT
- Bearing System : Two Ball Bearing
軸承結構：滾珠軸承
- Protection Class : IP54
防護等級：IP54
- Weight : 2650g
風扇單體重量：2650克

DIMENSIONS DRAWING UNIT : mm



Model No.	Voltage (VAC)	Frequency (Hz)	Current (A)	Power (W)	Speed (RPM)	Air Flow (CFM)	Air Flow (m ³ /min)	Air Pressure (mmH ₂ O)	Air Pressure (Inch H ₂ O)	Noise (dBA)
SDC25099B2HL	230	50 / 60	0.64 / 0.83	135 / 190	2800 / 3200	677 / 776	19.2 / 22.0	59 / 82	2.32 / 3.23	77 / 79

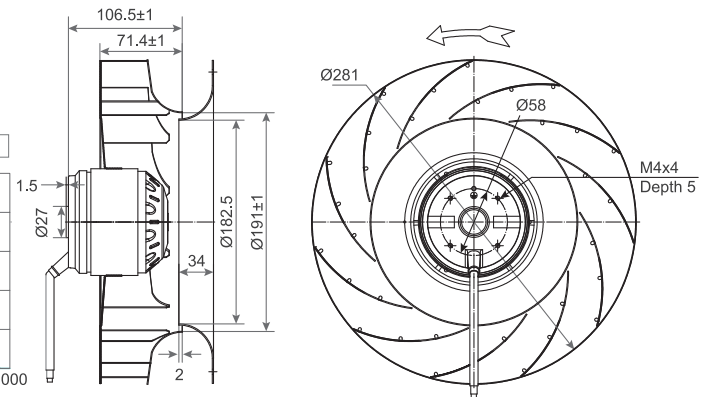
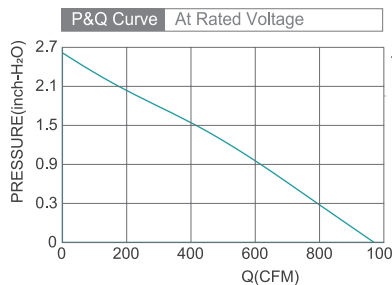


AC Centrifugal Fan SDC28071 AF SERIES $\phi 280 \times 71 \text{mm}$



- Material : Galvanised Sheet Steel
材質：鍍鋅板材
- Bearing System : Two Ball Bearing
軸承結構：滾珠軸承
- Protection Class : IP44
防護等級：IP44

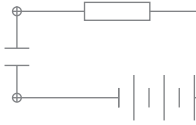
DIMENSIONS DRAWING UNIT : mm



Model No.	Voltage (VAC)	Frequency (HZ)	Current (A)	Power (W)	Speed (RPM)	Capacitor (μF)	Air Flow (CFM)	Air Flow (m ³ /min)	Temperature Min / Max(°C)	Noise (dBA)
SDC28071B2ML	220 / 230	50	1.10	230	2450	6.0	970	27.45	-30°C ~ +60°C	79
SDC28071B3HL	380 / 400	50	0.60	200	2500	-	970	27.45	-30°C ~ +60°C	79

AC BLOWER FAN

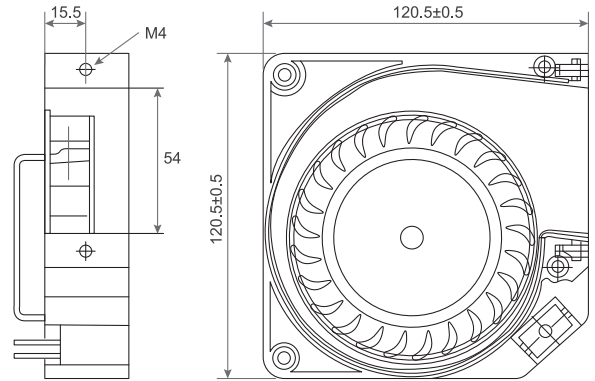
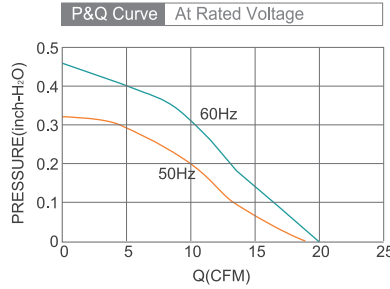




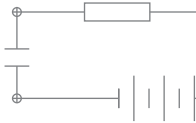
AC Blower Fan SF12032 J SERIES 120X120X32mm



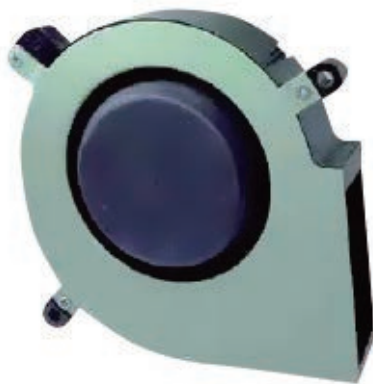
- Material : Thermoplastic PBT UL94-V0
材質：環保防火PBT
- Bearing System : Two Ball Bearing
軸承結構：滾珠軸承
- Weight : 657g
風扇單體重量：657克



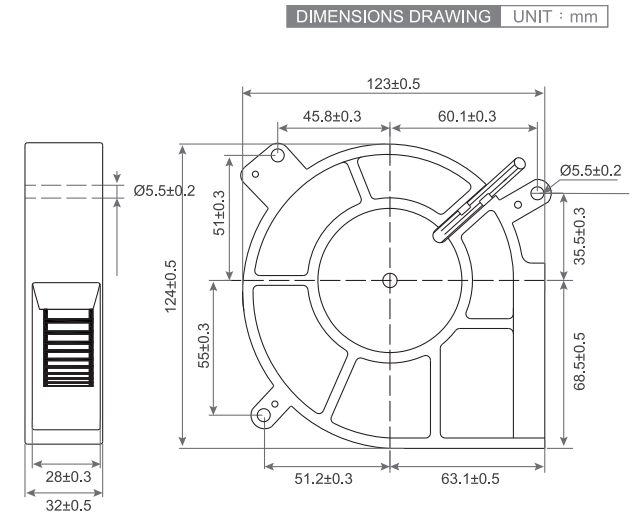
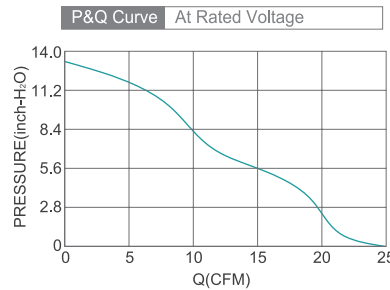
Model No.	Voltage (VAC)	Frequency (HZ)	Current (A)	Power (W)	Speed (RPM)	Air Flow (CFM)	Air Flow (m ³ /min)	Air Pressure (mmH ₂ O)	Air Pressure (Inch H ₂ O)	Noise (dBA)
SF12032B1HL	115	50 / 60	0.24 / 0.22	21 / 19	2650 / 3000	18 / 20	0.51 / 0.57	8.24 / 12.7	0.34 / 0.5	45 / 48
SF12032B2HL	230	50 / 60	0.13 / 0.11	21 / 19	2650 / 3000	18 / 20	0.51 / 0.57	8.24 / 12.7	0.34 / 0.5	45 / 48



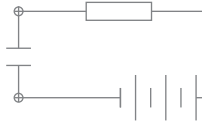
AC Blower Fan SF12032 U SERIES 120X120X32mm



- Frame : Aliminum
外框：鋁
- Impeller : Thermoplastic PBT UL94-V0
扇葉：環保防火PBT
- Bearing System : Two Ball Bearing
軸承結構：滾珠軸承
- Weight : 675g
風扇單體重量：675克



Model No.	Voltage (VAC)	Frequency (HZ)	Current (A)	Power (W)	Speed (RPM)	Air Flow (CFM)	Air Flow (m ³ /min)	Air Pressure (mmH ₂ O)	Air Pressure (Inch H ₂ O)	Noise (dBA)
SF12032B1LL	115	50 / 60	0.26 / 0.20	21 / 19	2200	24.8	0.8	13.2	0.52	45
SF12032B2LL	230	50 / 60	0.12 / 0.10	21 / 19	2200	24.8	0.8	13.2	0.52	45

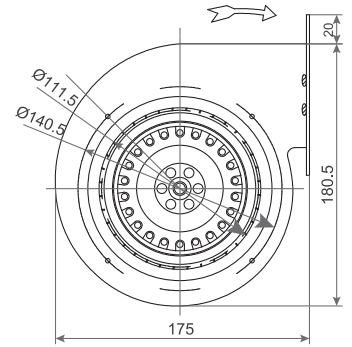
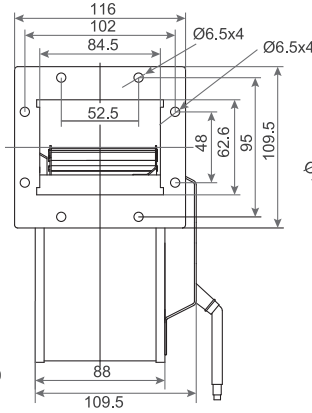
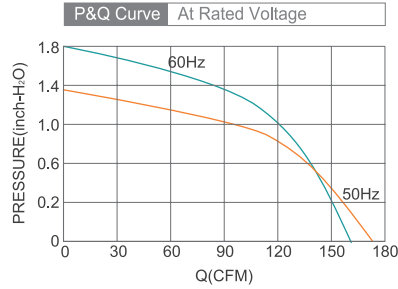


AC Blower Fan SF133073 AF SERIES 175X181X88mm

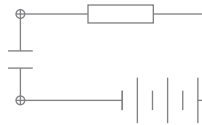
DIMENSIONS DRAWING UNIT : mm



- Material : Galvanized sheet steel
材質：鍍鋅板材
- Bearing System : Two Ball Bearing
軸承結構：滾珠軸承
- Protection Class : IP44
防護等級：IP44



Model No.	Voltage (VAC)	Frequency (Hz)	Current (A)	Power (W)	Speed (RPM)	Capacitor (µF)	Air Flow (CFM)	Air Flow (m ³ /min)	Temperature Min / Max(°C)	Noise (dBA)
SF133073B2HL	220 / 230	50 / 60	0.37 / 0.43	83 / 95	1850 / 1750	2.0	170 / 160	290 / 270	-30°C ~ +60°C	61 / 63

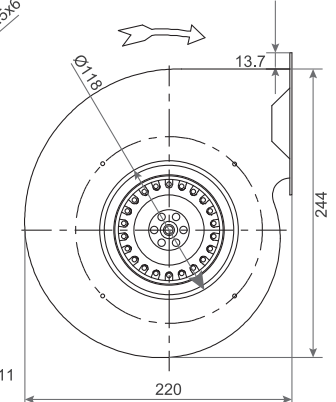
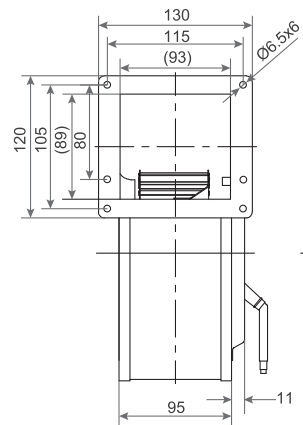
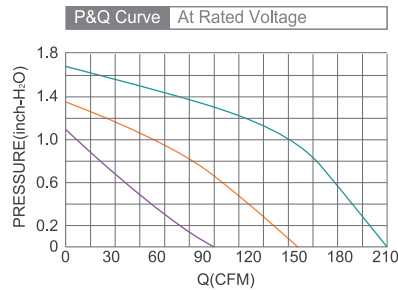


AC Blower Fan SF140060 AF SERIES 220X224X95mm

DIMENSIONS DRAWING UNIT : mm



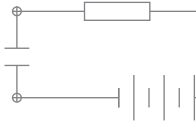
- Impeller : PA66
材質：塑料PA66
- Bearing System : Two Ball Bearing
軸承結構：滾珠軸承
- Protection Class : IP44
防護等級：IP44



Model No.	Voltage (VAC)	Frequency (Hz)	Current (A)	Power (W)	Speed (RPM)	Capacitor (µF)	Air Flow (CFM)	Air Flow (m ³ /min)	Temperature Min / Max(°C)	Noise (dBA)
SF140060B2HL	220 / 230	50	0.40	90	1400	2.0	211	360	-30°C ~ +60°C	52
SF140060B2ML	220 / 230	50	0.30	60	850	2.0	117	200	-30°C ~ +60°C	40
SF140060B2LL	220 / 230	50	0.25	50	600	2.0	88	150	-30°C ~ +60°C	32

★如果您需要的轉速或電壓或功能不在這份清單上，請與我們業務聯繫 If you need another RPM or Voltage or Functions which one is not in the list, please contact us.

★產品詳細數據及功能請參閱承認書 Please see the approval sheet for more information . ★產品規格變更不另行通知 Specifications are subject to change without notice.

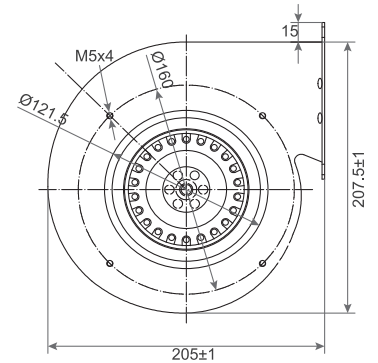
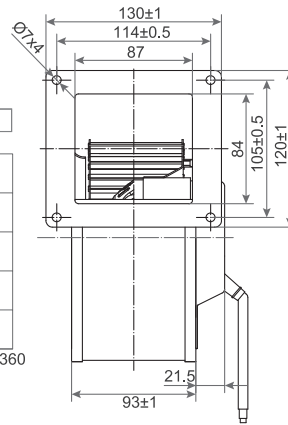
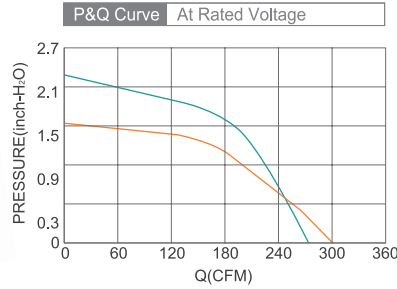


AC Blower Fan SF150070 AF SERIES 205X207X93mm

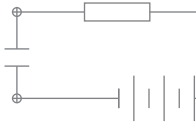
DIMENSIONS DRAWING UNIT : mm



- Material : Galvanized sheet steel
材質：鍍鋅板材
- Bearing System : Two Ball Bearing
軸承結構：滾珠軸承
- Protection Class : IP44
防護等級：IP44



Model No.	Voltage (VAC)	Frequency (Hz)	Current (A)	Power (W)	Speed (RPM)	Capacitor (µF)	Air Flow (CFM)	Air Flow (m ³ /min)	Temperature Min / Max(°C)	Noise (dBA)
SF150070HL	220 / 230	50 / 60	0.83 / 1.04	183 / 230	2300 / 2200	4.0	307 / 278	530 / 480	-30°C ~ +60°C	63 / 68

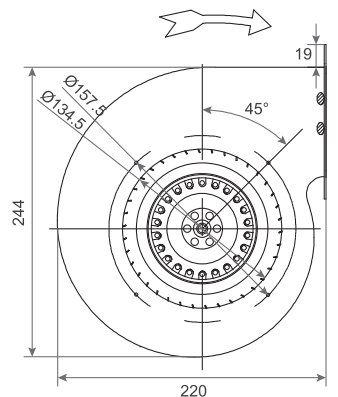
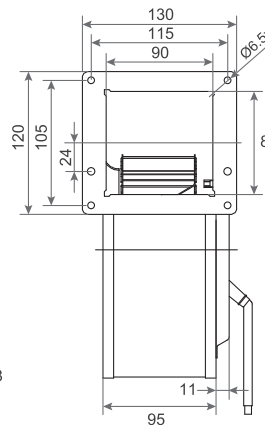
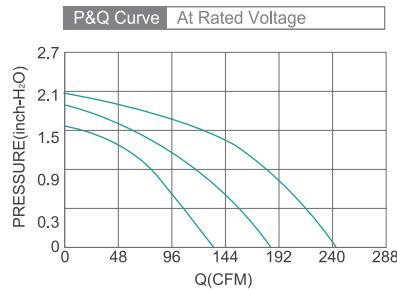


AC Blower Fan SF160070 AF SERIES 220X244X95mm

DIMENSIONS DRAWING UNIT : mm



- Impeller : PA66
材質：塑料PA66
- Bearing System : Two Ball Bearing
軸承結構：滾珠軸承
- Protection Class : IP44
防護等級：IP44

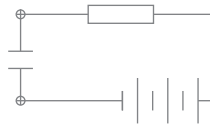


Model No.	Voltage (VAC)	Frequency (Hz)	Current (A)	Power (W)	Speed (RPM)	Capacitor (µF)	Air Flow (CFM)	Air Flow (m ³ /min)	Temperature Min / Max(°C)	Noise (dBA)
SF160070B2HL.P	220 / 230	50	0.67	150	1450	3.5	259	440	-30°C ~ +60°C	57
SF160070B2ML.P	220 / 230	50	0.55	120	1080	3.5	194	330	-30°C ~ +60°C	49
SF160070B2LL.P	220 / 230	50	0.47	100	870	3.5	141	240	-30°C ~ +60°C	43
*SF160070B2HL.P	220 / 230	50	1.00	220	1800	4.0	300	510	-30°C ~ +60°C	61
*SF160070B2ML.P	220 / 230	50	0.90	190	1300	4.0	220	375	-30°C ~ +60°C	54
*SF160070B2LL.P	220 / 230	50	0.75	160	1000	4.0	165	280	-30°C ~ +60°C	47

P Three Speed * High Performance

★如果您需要的轉速或電壓或功能不在這份清單上，請與我們業務聯繫 If you need another RPM or Voltage or Functions which one is not in the list, please contact us.

★產品詳細數據及功能請參閱承認書 Please see the approval sheet for more information. ★產品規格變更不另行通知 Specifications are subject to change without notice.



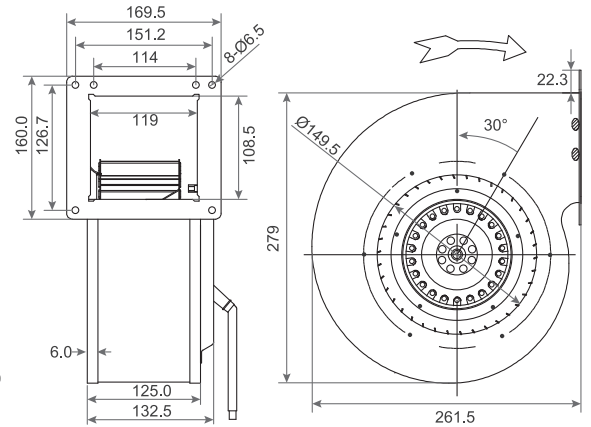
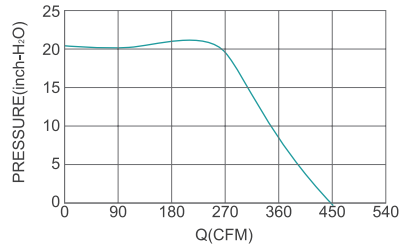
AC Blower Fan SF180092 AF SERIES 262X279X125mm

DIMENSIONS DRAWING UNIT : mm

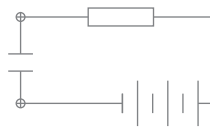


- Material : Galvanized sheet steel
材質：鍍鋅板材
- Bearing System : Two Ball Bearing
軸承結構：滾珠軸承
- Protection Class : IP44
防護等級：IP44

P&Q Curve At Rated Voltage

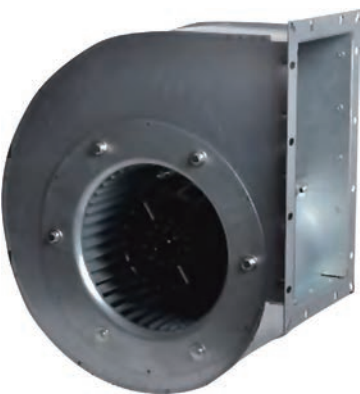


Model No.	Voltage (VAC)	Frequency (Hz)	Current (A)	Power (W)	Speed (RPM)	Capacitor (µF)	Air Flow (CFM)	(m ³ /min)	Temperature Min / Max(°C)	Noise (dBA)
SF180092B2HL	220 / 230	50	0.70	135	1330	3	441	12.5	-30°C ~ +60°C	63



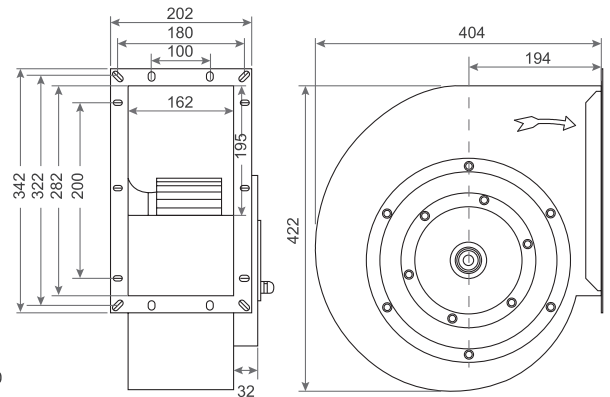
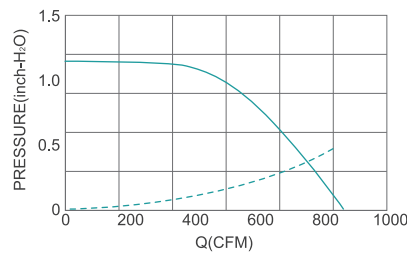
AC Blower Fan SF225092 AF SERIES 404X422X180mm

DIMENSIONS DRAWING UNIT : mm



- Impeller : Galvanized sheet steel
材質：鍍鋅板材
- Bearing System : Two Ball Bearing
軸承結構：滾珠軸承
- Protection Class : IP44
防護等級：IP44

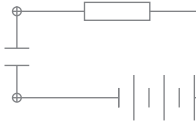
P&Q Curve At Rated Voltage



Model No.	Voltage (VAC)	Frequency (Hz)	Current (A)	Power (W)	Speed (RPM)	Capacitor (µF)	Air Flow (CFM)	(m ³ /h)	Temperature Min / Max(°C)	Noise (dBA)
SF225092B2ML	220 / 230	50	1.9	400	1390	12.0	823	1400	-30°C ~ +60°C	73
SF225092B3ML	380 / 400	50	1.1	400	1390	-	823	1400	-30°C ~ +60°C	73

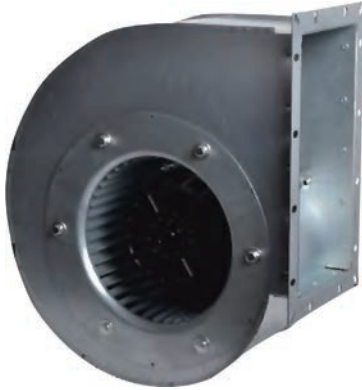
★如果您需要的轉速或電壓或功能不在這份清單上，請與我們業務聯繫 If you need another RPM or Voltage or Functions which one is not in the list, please contact us.

★產品詳細數據及功能請參閱承認書 Please see the approval sheet for more information . ★產品規格變更不另行通知 Specifications are subject to change without notice.

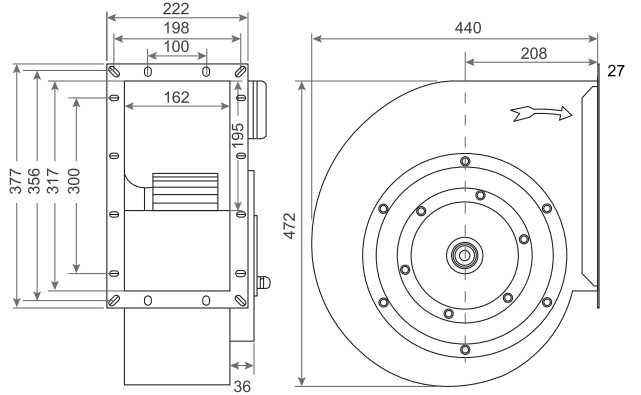
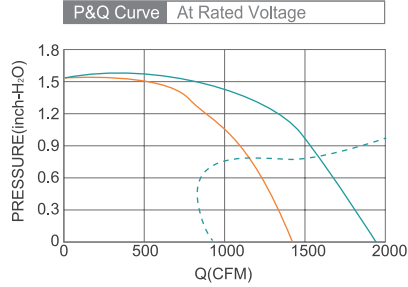


AC Blower Fan SF250102 AF SERIES 440X472X222mm

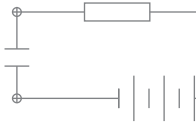
DIMENSIONS DRAWING UNIT : mm



- Material : Galvanized sheet steel
材質：鍍鋅板材
- Bearing System : Two Ball Bearing
軸承結構：滾珠軸承
- Protection Class : IP44
防護等級：IP44



Model No.	Voltage (VAC)	Frequency (Hz)	Current (A)	Power (W)	Speed (RPM)	Capacitor (μF)	Air Flow (CFM)	Air Flow (m ³ /h)	Temperature Min / Max(°C)	Noise (dBA)
SF250102B3HL	380 / 400	50	1.6	850	1350	-	1941	3300	-30°C ~ +60°C	80
SF250102B3ML.P	380 / 400	50	1.2	630	1300	-	1411	2400	-30°C ~ +60°C	74

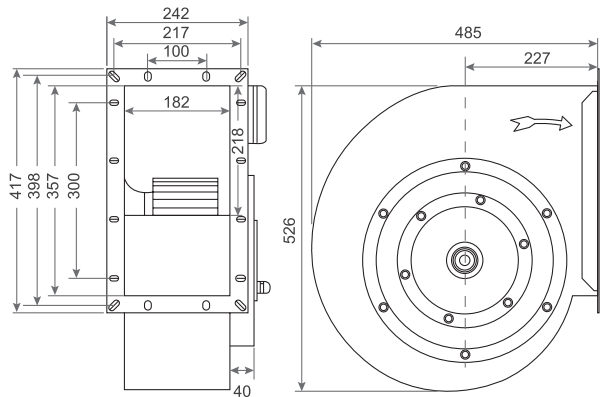
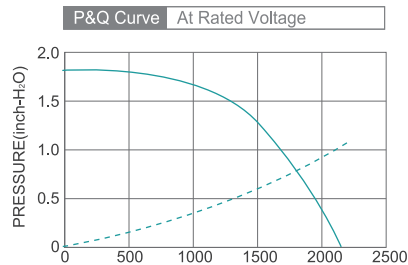


AC Blower Fan SF280144 AF SERIES 485X526X242mm

DIMENSIONS DRAWING UNIT : mm



- Impeller : Galvanized sheet steel
材質：鍍鋅板材
- Bearing System : Two Ball Bearing
軸承結構：滾珠軸承
- Protection Class : IP44
防護等級：IP44



Model No.	Voltage (VAC)	Frequency (Hz)	Current (A)	Power (W)	Speed (RPM)	Capacitor (μF)	Air Flow (CFM)	Air Flow (m ³ /h)	Temperature Min / Max(°C)	Noise (dBA)
SF280144B3HL	380 / 400	50	2.5	1400	1400	-	2176	3700	-30°C ~ +60°C	82

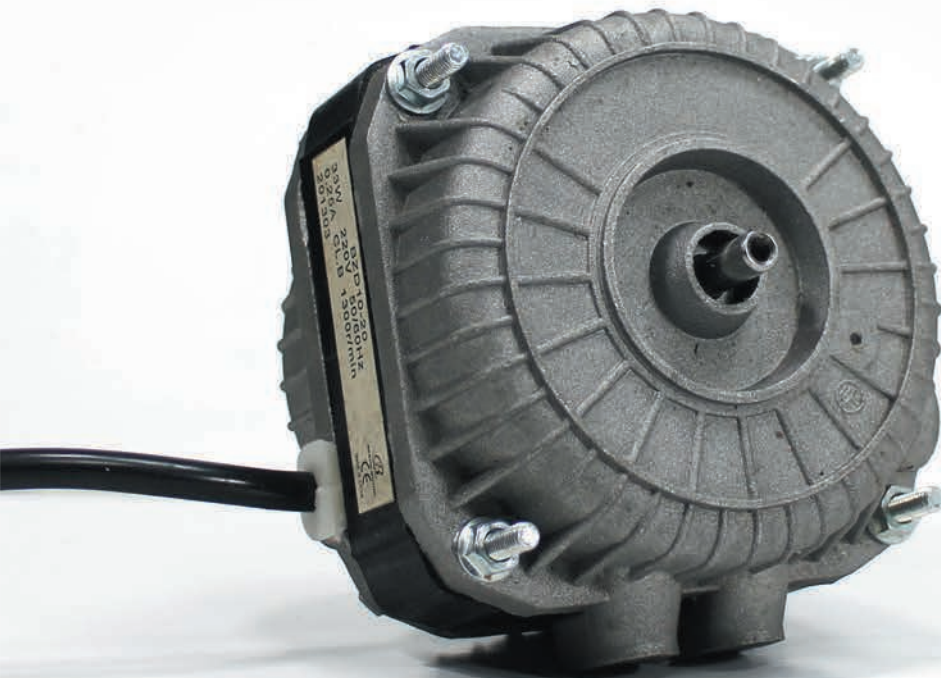
P Three Speed

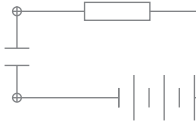
★如果您需要的轉速或電壓或功能不在這份清單上，請與我們業務聯繫 If you need another RPM or Voltage or Functions which one is not in the list, please contact us.

★產品詳細數據及功能請參閱承認書 Please see the approval sheet for more information . ★產品規格變更不另行通知 Specifications are subject to change without notice.



Outer Rotor FAN

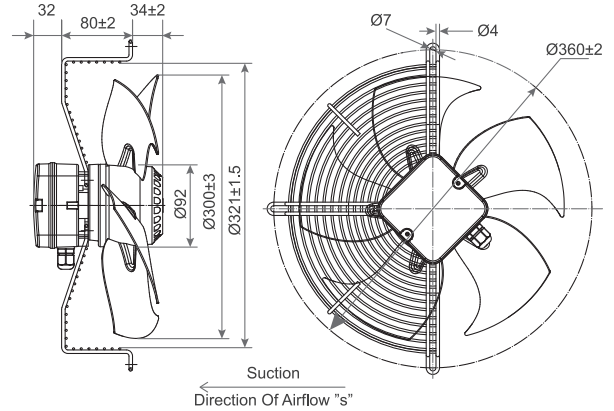
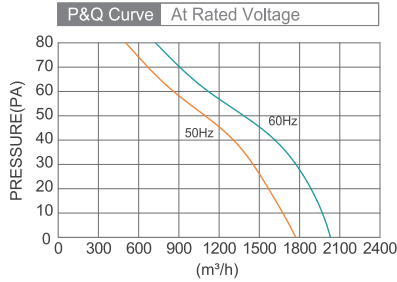




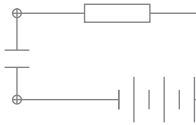
AC Outer Rotor Fan SA300 AF SERIES Ø300mmX146mm



- Impeller : Cold rolled steel
材質：冷軋鋼板
- Bearing System : Two Ball Bearing
軸承結構：滾珠軸承
- Protection Class : IP44
防護等級：IP44



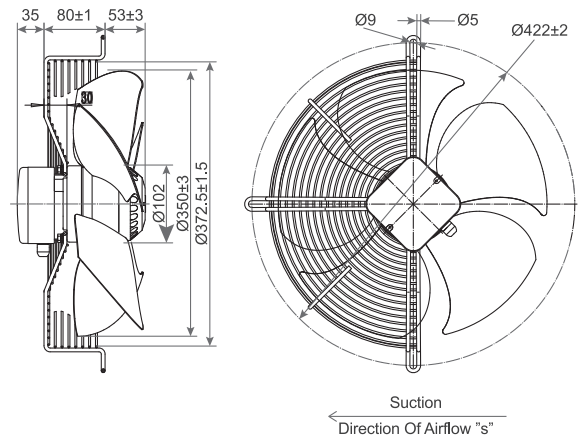
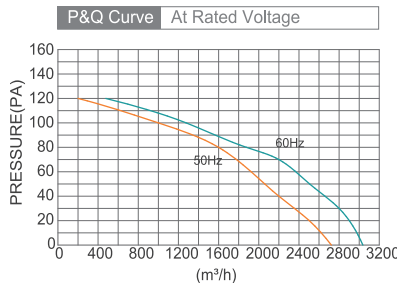
Model No.	Voltage (VAC)	Frequency (Hz)	Current (A)	Power (W)	Speed (RPM)	Capacitor (µF)	Air Flow (CFM)	Air Flow (m³/min)	Temperature Min / Max(°C)	Noise (dBA)
SA300146B2ML	220 / 230	50 / 60	0.42 / 0.51	90 / 115	1350 / 1600	3.0	1029 / 1176	29.1 / 33.3	-30°C ~ +60°C	52 / 55
SA300146B2HL	220 / 230	50 / 60	0.25 / 0.26	90 / 120	1380 / 1640	-	1750 / 2000	49.5 / 56.6	-30°C ~ +60°C	52 / 55



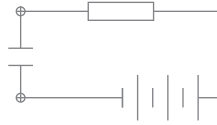
AC Outer Rotor Fan SA350 AF SERIES Ø350mmX168mm



- Impeller : Cold rolled steel
材質：冷軋鋼板
- Bearing System : Two Ball Bearing
軸承結構：滾珠軸承
- Protection Class : IP44
防護等級：IP44



Model No.	Voltage (VAC)	Frequency (Hz)	Current (A)	Power (W)	Speed (RPM)	Capacitor (µF)	Air Flow (CFM)	Air Flow (m³/min)	Temperature Min / Max(°C)	Noise (dBA)
SA350168B2HL	220 / 230	50 / 60	0.60 / 0.83	135 / 190	1380 / 1550	3.0	1588 / 1765	44.9 / 50.0	-30°C ~ +60°C	58 / 60
SA350168B2ML	220 / 230	50 / 60	0.40 / 0.37	75 / 83	950 / 1100	3.0	920 / 1060	26.0 / 30.0	-30°C ~ +60°C	53 / 54
SA350168B3HL	380 / 400	50 / 60	0.30 / 0.40	135 / 170	1360 / 1500	-	1588 / 1765	44.9 / 50.0	30°C ~ +60°C	58 / 60
SA350168B3ML	380 / 400	50 / 60	0.29 / 0.20	70 / 80	920 / 1050	-	920 / 1060	26.0 / 30.0	-30°C ~ +60°C	53 / 54

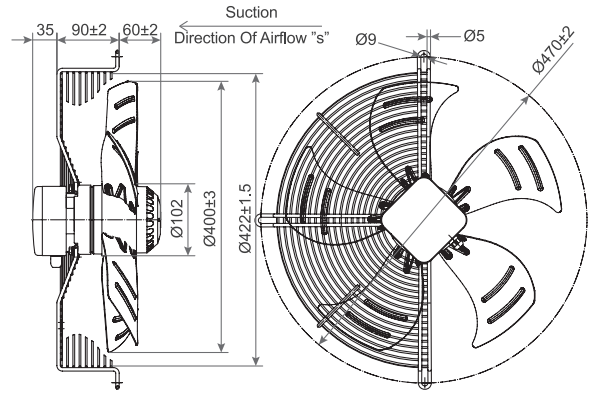
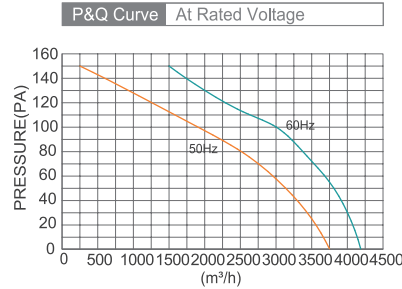


AC Outer Rotor Fan SA400 AF SERIES Ø400mmX185mm

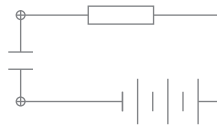
DIMENSIONS DRAWING UNIT : mm



- Impeller : Cold rolled steel
材質：冷軋鋼板
- Bearing System : Two Ball Bearing
軸承結構：滾珠軸承
- Protection Class : IP44
防護等級：IP44



Model No.	Voltage (VAC)	Frequency (Hz)	Current (A)	Power (W)	Speed (RPM)	Capacitor (µF)	Air Flow (CFM)	Air Flow (m³/min)	Temperature Min / Max(°C)	Noise (dBA)
SA400185B2ML	220 / 230	50 / 60	0.50 / 0.54	100 / 120	950 / 1100	4.0	1530 / 1675	43.3 / 47.4	-30°C ~ +60°C	49 / 52
SA400185B2HL	220 / 230	50 / 60	0.09 / 1.22	180 / 260	1350 / 1580	6.0	2176 / 2411	61.6 / 68.2	-30°C ~ +60°C	60 / 62
SA400185B3ML	380 / 400	50 / 60	0.31 / 0.31	100 / 120	930 / 1100	-	1530 / 1675	43.3 / 47.4	-30°C ~ +60°C	49 / 52
SA400185B3HL	380 / 400	50 / 60	0.50 / 0.47	180 / 240	1370 / 1620	-	2176 / 2411	61.6 / 68.2	-30°C ~ +60°C	60 / 62

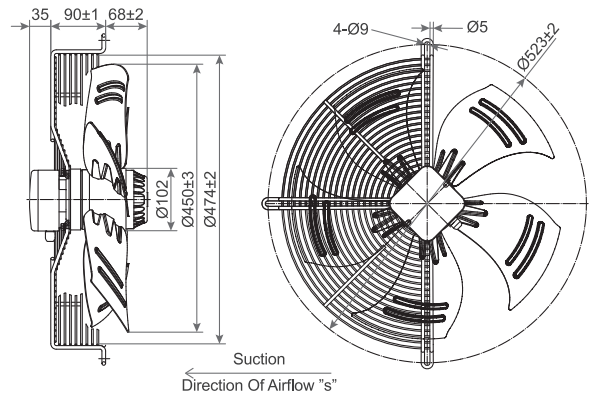
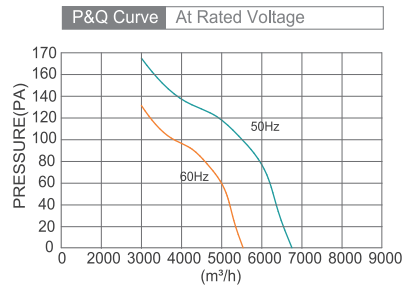


AC Outer Rotor Fan SA450 AF SERIES Ø450mmX193mm

DIMENSIONS DRAWING UNIT : mm



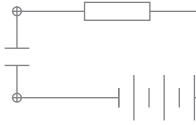
- Impeller : Cold rolled steel
材質：冷軋鋼板
- Bearing System : Two Ball Bearing
軸承結構：滾珠軸承
- Protection Class : IP44
防護等級：IP44



Model No.	Voltage (VAC)	Frequency (Hz)	Current (A)	Power (W)	Speed (RPM)	Capacitor (µF)	Air Flow (CFM)	Air Flow (m³/min)	Temperature Min / Max(°C)	Noise (dBA)
SA450193B2ML	220 / 230	50 / 60	0.65 / 0.75	135 / 170	920 / 1100	6.0	1705 / 2000	48.3 / 56.6	-30°C ~ +60°C	56 / 58
SA450193B2HL	220 / 230	50 / 60	1.10 / 1.20	250 / 280	1350 / 1600	7.0	2650 / 2825	75.0 / 80.0	-30°C ~ +60°C	62 / 64
SA450193B3ML	380 / 400	50 / 60	0.31 / 0.34	135 / 140	910 / 1030	-	1705 / 2000	48.3 / 56.6	-30°C ~ +60°C	56 / 58
SA450193B3HL	380 / 400	50 / 60	0.50 / 0.60	250 / 280	1350 / 1600	-	2650 / 2825	75.0 / 80.0	-30°C ~ +60°C	62 / 64

★如果您需要的轉速或電壓或功能不在這份清單上，請與我們業務聯繫 If you need another RPM or Voltage or Functions which one is not in the list, please contact us.

★產品詳細數據及功能請參閱承認書 Please see the approval sheet for more information . ★產品規格變更不另行通知 Specifications are subject to change without notice.

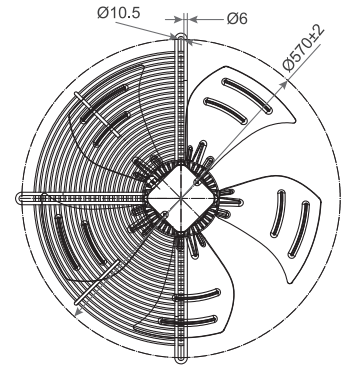
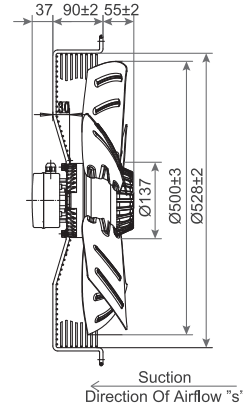
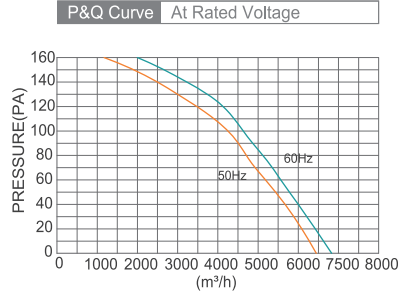


AC Outer Rotor Fan SA500 AF SERIES Ø500mmX182mm

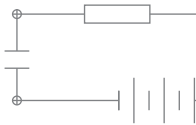
DIMENSIONS DRAWING UNIT : mm



- Impeller : Cold rolled steel
材質：冷軋鋼板
- Bearing System : Two Ball Bearing
軸承結構：滾珠軸承
- Protection Class : IP44
防護等級：IP44



Model No.	Voltage (VAC)	Frequency (Hz)	Current (A)	Power (W)	Speed (RPM)	Capacitor (µF)	Air Flow (CFM)	Air Flow (m³/min)	Temperature Min / Max(°C)	Noise (dBA)
SA500182B2ML	220 / 230	50 / 60	1.10 / 1.35	220 / 250	900 / 1020	6.0	2541 / 2823	71.9 / 79.9	-30°C ~ +60°C	65 / 66
SA500182B2HL	220 / 230	50 / 60	1.90 / 2.30	420 / 500	1320 / 1450	10.0	3835 / 4000	108.5 / 113.2	-30°C ~ +60°C	69 / 70
SA500182B3ML	380 / 400	50 / 60	0.60 / 0.65	220 / 250	900 / 1100	-	2541 / 2823	71.9 / 79.9	-30°C ~ +60°C	65 / 66
SA500182B3HL	380 / 400	50 / 60	0.90 / 1.00	420 / 500	1350 / 1500	-	3835 / 4000	108.5 / 113.2	-30°C ~ +60°C	69 / 70

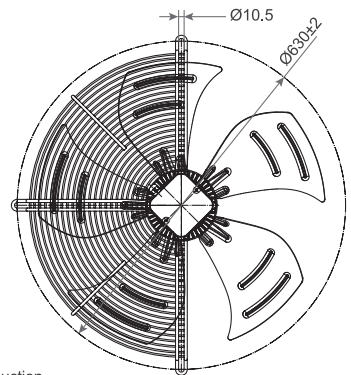
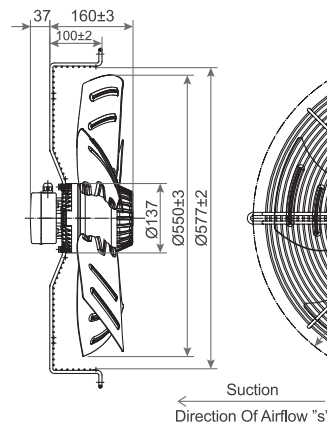
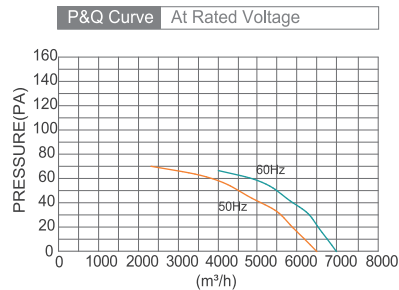


AC Outer Rotor Fan SA550 AF SERIES Ø550mmX167mm

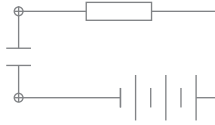
DIMENSIONS DRAWING UNIT : mm



- Impeller : Cold rolled steel
材質：冷軋鋼板
- Bearing System : Two Ball Bearing
軸承結構：滾珠軸承
- Protection Class : IP44
防護等級：IP44



Model No.	Voltage (VAC)	Frequency (Hz)	Current (A)	Power (W)	Speed (RPM)	Capacitor (µF)	Air Flow (CFM)	Air Flow (m³/min)	Temperature Min / Max(°C)	Noise (dBA)
SA550167B2ML	220 / 230	50 / 60	1.20 / 2.15	320 / 465	900 / 1060	10.0	3823 / 4117	108.2 / 116.5	-30°C ~ +60°C	62 / 66
SA550167B2HL	220 / 230	50 / 60	2.50 / 3.30	550 / 725	1320 / 1450	12.0	4588 / 5000	129.8 / 141.5	-30°C ~ +60°C	73 / 74
SA550167B3ML	380 / 400	50 / 60	0.95 / 1.00	320 / 440	910 / 1090	-	3823 / 4117	108.2 / 116.5	-30°C ~ +60°C	62 / 66
SA550167B3HL	380 / 400	50 / 60	1.10 / 1.40	550 / 725	1330 / 1540	-	4588 / 5000	129.8 / 141.5	-30°C ~ +60°C	73 / 74

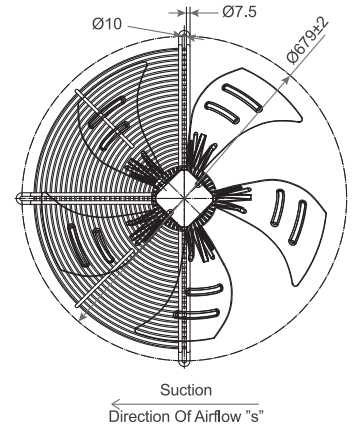
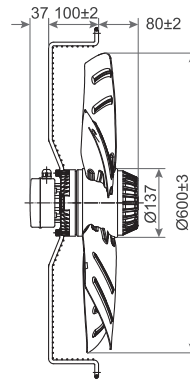
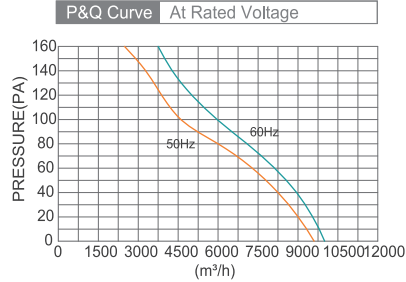


AC Outer Rotor Fan SA600 AF SERIES Ø600mmX217mm

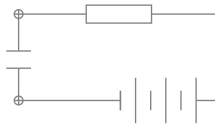
DIMENSIONS DRAWING UNIT : mm



- Impeller : Cold rolled steel
材質：冷軋鋼板
- Bearing System : Two Ball Bearing
軸承結構：滾珠軸承
- Protection Class : IP44
防護等級：IP44



Model No.	Voltage (VAC)	Frequency (Hz)	Current (A)	Power (W)	Speed (RPM)	Capacitor (µF)	Air Flow (CFM)	Air Flow (m³/min)	Temperature Min / Max(°C)	Noise (dBA)
SA600217B2HL	220 / 230	50 / 60	2.40 / 2.90	500 / 640	910 / 1080	12.0	5605 / 5823	158.6 / 164.8	-30°C ~ +60°C	67 / 69
SA600217B3ML	380 / 400	50 / 60	1.50 / 1.50	500 / 650	920 / 1070	-	5605 / 5823	158.6 / 164.8	-30°C ~ +60°C	67 / 69
SA600217B3HL	380 / 400	50	1.50	800	1350	-	6000	169.8	-30°C ~ +60°C	73

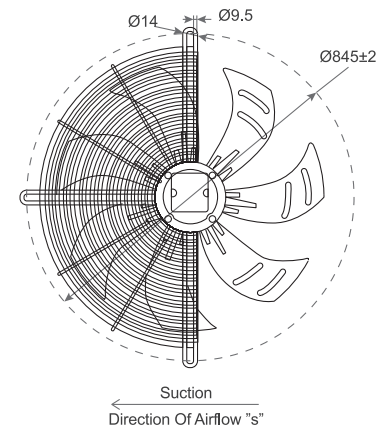
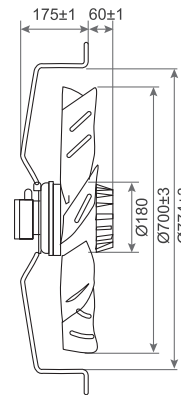
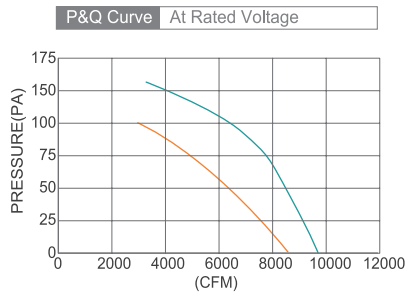


AC Outer Rotor Fan SA710 AF SERIES Ø710mmX235mm

DIMENSIONS DRAWING UNIT : mm



- Impeller : Cold rolled steel
材質：冷軋鋼板
- Bearing System : Two Ball Bearing
軸承結構：滾珠軸承
- Protection Class : IP44
防護等級：IP44



Model No.	Voltage (VAC)	Frequency (Hz)	Current (A)	Power (W)	Speed (RPM)	Capacitor (µF)	Air Flow (CFM)	Air Flow (m³/min)	Temperature Min / Max(°C)	Noise (dBA)
SA710235B3ML	380 / 400	50	1.5	700	700	-	7058	199.7	-30°C ~ +60°C	68
SA710235B3HL	380 / 400	50	2.0	1100	900	-	10000	283.0	-30°C ~ +60°C	75

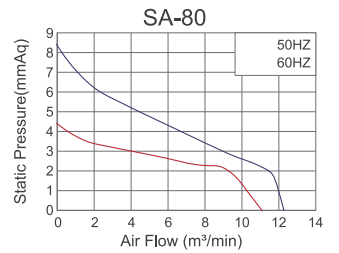
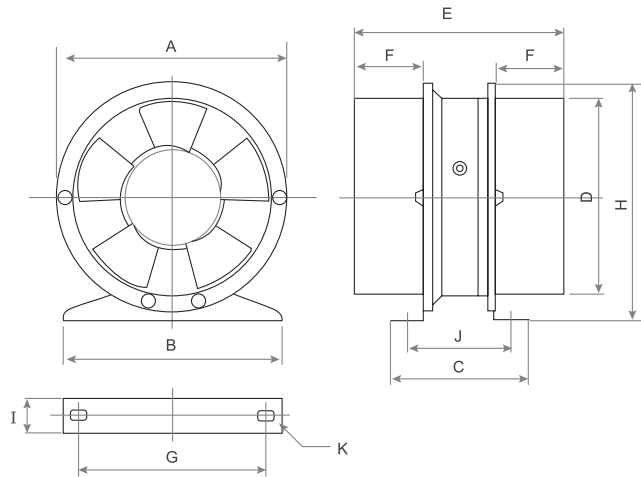
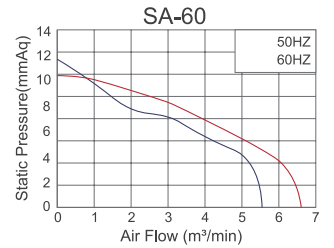
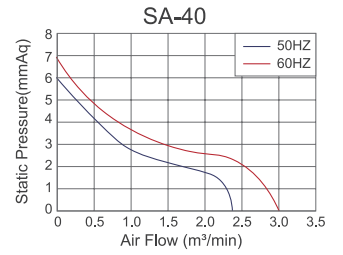
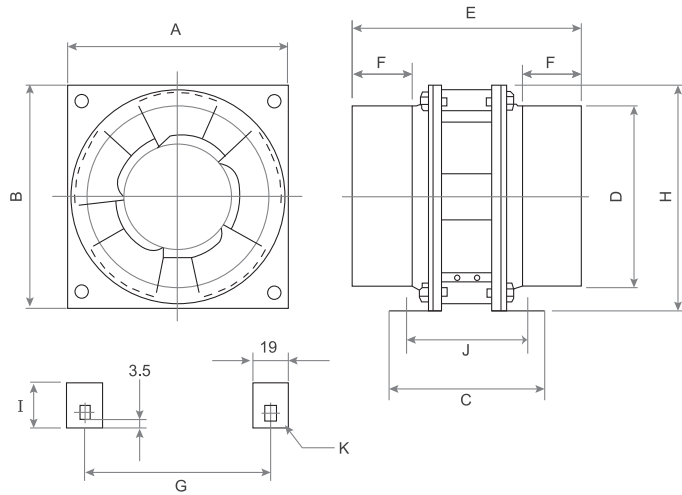
★如果您需要的轉速或電壓或功能不在這份清單上，請與我們業務聯繫 If you need another RPM or Voltage or Functions which one is not in the list, please contact us.

★產品詳細數據及功能請參閱承認書 Please see the approval sheet for more information . ★產品規格變更不另行通知 Specifications are subject to change without notice.

AC DUCT FAN



- Frame : Aliminum
外框材質：鋁
- Impeller : Thermoplastic PBT UL94-V0
扇葉材質：環保防火PBT
- Bearing System : Two Ball bearing
軸承結構：滾珠軸承



SIZE	A	B	C	ØD	E	F	G	H	I	J	K
SA-40	120	121	85	98	125	98	100	120	24	72	Ø5.5X8L
SA-60	174	165	108	147	157	147	142	180	26	78	Ø6.5X12L
SA-80	226	200	121	199	164	199	180	235	30	92	Ø7X11L

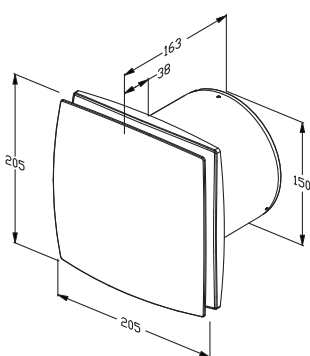
Model No.	Voltage (VAC)	Frequency (HZ)	Phase (Ø)	Poles (P)	Input Power (W)	Current (A)	Speed (RPM)	Max Air Flow (CMM)	Max Pressure (mmAq)	Noise (dBA)	Net Weight (kg)
SA-40	115	60	1	2	18	0.26	3030	3.0	7.0	51	0.86
	230	50	1	2	22	0.16	2630	2.4	5.0	49	0.86
SA-60	230	60	1	2	18	0.13	3030	3.0	7.0	51	0.86
		50	1	2	35	0.50	3030	6.6	10.5	57	1.50
	115	60	1	2	38	0.28	2700	5.6	11.5	55	1.50
SA-80	230	60	1	2	34	0.24	3030	6.6	10.5	57	1.50
		50	1	2	50	0.40	2420	12.4	8.5	57	2.25
	115	60	1	2	48	0.37	2150	11.4	4.5	53	2.25

⊗ Bearing System ※ : Sleeve ★ : WRB ⊙ : Ball

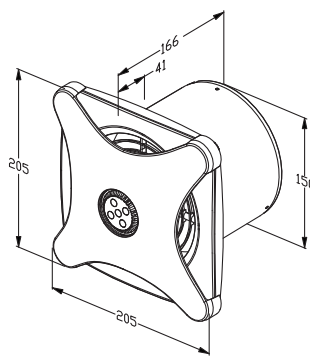
★如果您需要的轉速或電壓或功能不在這份清單上，請與我們業務聯繫 If you need another RPM or Voltage or Functions which one is not in the list, please contact us.
 ★產品詳細數據及功能請參閱承認書 Please see the approval sheet for more information . ★產品規格變更不另行通知 Specifications are subject to change without notice.



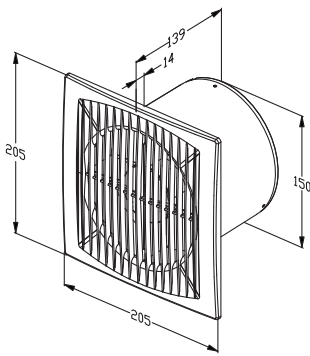
AC Duct Fan STK150 U SERIES



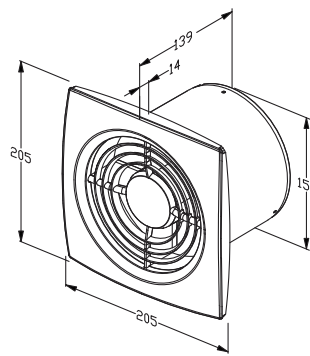
STK150A



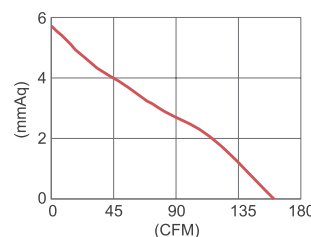
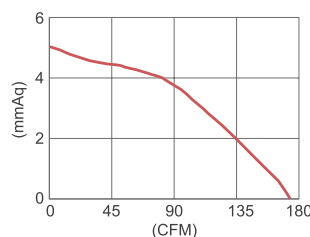
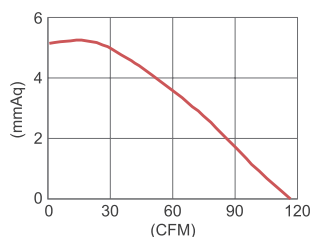
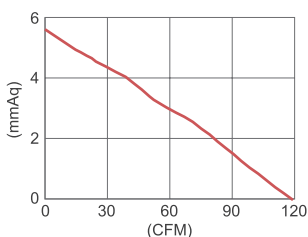
STK150B



STK150C



STK150D



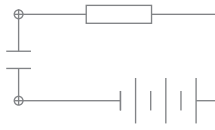
- Frame : Thermoplastic PBT UL94-V0
外框材質：環保防火PBT
- Impeller : Thermoplastic PBT UL94-V0
扇葉材質：環保防火PBT

Model No.	Voltage (VAC)	Current (A)	Power (W)	Speed (RPM)	Air Flow		Air Pressure	
					(CFM)	(m ³ /min)	(mmH ₂ O)	(Inch H ₂ O)
STK150A	220 / 50HZ	0.17	22	2350	118.29	3.35	5.608	0.221
STK150A	115 / 60HZ	0.40	28	2350	118.29	3.35	5.608	0.221
STK150B	220 / 50HZ	0.19	28	2350	115.93	3.28	5.303	0.209
STK150B	115 / 60HZ	0.44	31	2350	115.93	3.28	5.303	0.209
STK150C	220 / 50HZ	0.17	22	2350	173.61	4.92	5.201	0.205
STK150C	115 / 60HZ	0.40	25	2350	173.61	4.92	5.201	0.205
STK150D	220 / 50HZ	0.17	22	2350	160.07	4.53	5.710	0.225
STK150D	115 / 60HZ	0.40	25	2350	160.07	4.53	5.710	0.225

⊗ Bearing System ※ : Sleeve ★ : WRB ⊙ : Ball

★如果您需要的轉速或電壓或功能不在這份清單上，請與我們業務聯繫 If you need another RPM or Voltage or Functions which one is not in the list, please contact us.

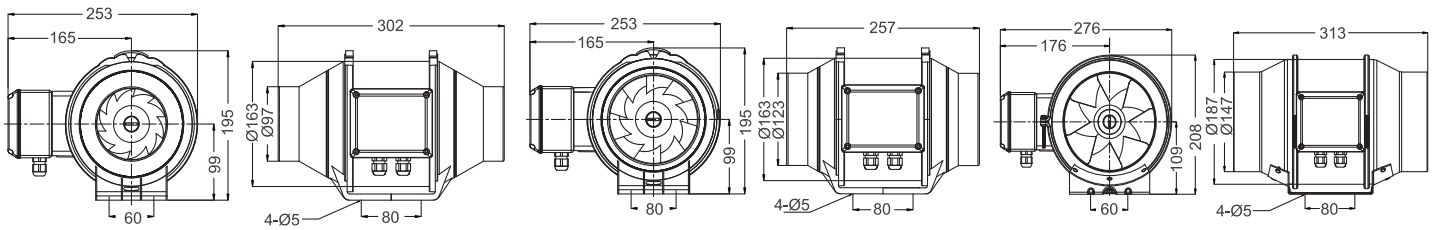
★產品詳細數據及功能請參閱承認書 Please see the approval sheet for more information . ★產品規格變更不另行通知 Specifications are subject to change without notice.



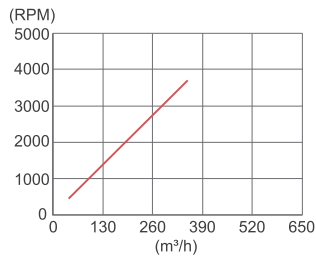
AC Duct Fan STK100 U SERIES



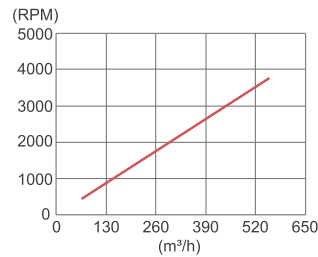
- Frame : Thermoplastic PBT UL94-V0
外框材質：環保防火PBT
- Impeller : Thermoplastic PBT UL94-V0
扇葉材質：環保防火PBT
- Bearing System : Two Ball bearing
軸承結構：滾珠軸承



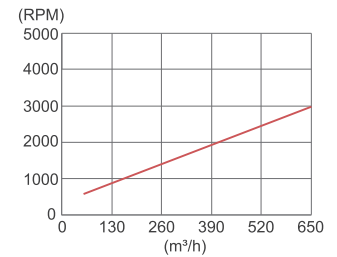
STK100



STK125



STK150



Model No.	Voltage (VAC)	Current (A)	Speed (RPM)	Air Flow		Air Pressure	
				(CFM)	(m³/min)	(mmH ₂ O)	(Inch H ₂ O)
STK100	100~240	0.05~0.98	500~3800	26.48~211.2	0.75~5.98	0.76~36.8	0.03~1.44
STK125	100~240	0.05~1.03	500~3800	37.08~316.0	1.05~8.95	0.81~38.5	0.032~1.51
STK150	100~240	0.07~1.03	300~3000	36.49~382.5	1.03~10.8	0.42~66.2	0.16~260

⊗ Bearing System ※ : Sleeve ★ : WRB ⊙ : Ball

★如果您需要的轉速或電壓或功能不在這份清單上，請與我們業務聯繫 If you need another RPM or Voltage or Functions which one is not in the list, please contact us.

★產品詳細數據及功能請參閱承認書 Please see the approval sheet for more information . ★產品規格變更不另行通知 Specifications are subject to change without notice.



EC AXIAL FAN

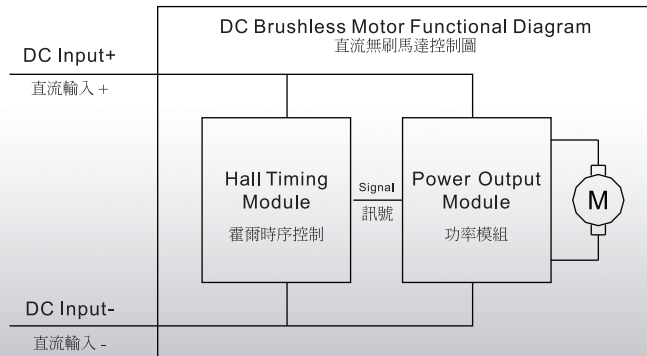
EC Motor VS AC Motor

1. Normal AC fan speed cannot be more than 3000rpm because of AC frequency point. But EC fan speed can be same high as dc fan. 10000rpm is possible.
2. EC Fan speed can be controled by external signal, such as PWM/5v DC. And can be "steplless speed change".
3. But operation voltage of EC motor can not be same as AC motor. because it used many electronic components.
4. But EC motor will meet "electromagnetic compatibility" problem, because we can't use high precision AC-DC moudle circuit because the space of fan motor is not enough some times.
Based on this problem, the quality of the fan from different manufacture is different because of their different designing.

1. 傳統AC交流電機轉速收市電頻率影響，最高轉速不能超過3000RPM。EC風扇轉速不受此限制，解決了交流供電系統對大風力電機的需求。
2. EC風扇可以實現信號控制轉速(無級變速)信號反饋及監控。
3. EC風扇大量使用電子元件，耐高溫不及傳統AC風扇
4. EC風扇內部空間有限 難以放置高精密AC-DC模組，特別是大功率，EC會遇到電磁兼容問題不同廠家設計出來的電路效果不同。

EC=AC to DC

Different	EC	AC	DC
Efficiency	Combine AC & DC	Low	High
Power Consumption	High Efficiency & Low Power Comsume	High	Low
Control of Speed	Max 6000RPM	Max 3000RPM	500~20K RPM
Features	AC To DC		Need Extra Power Supply





Advantage

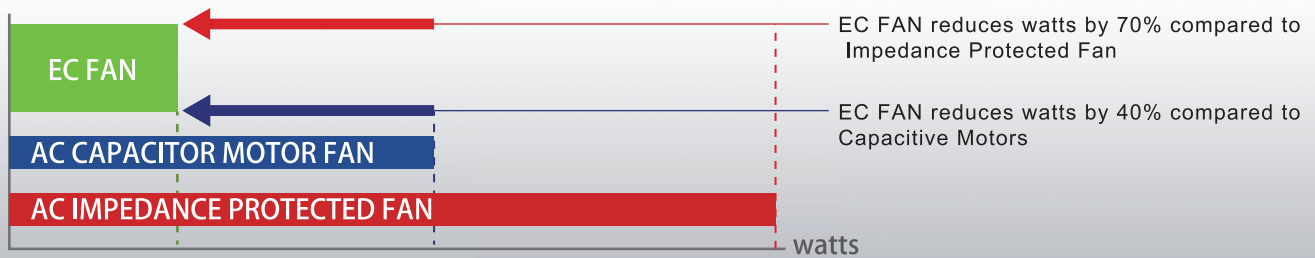
1. Temperature control and PWM control available, energy saving and noise reduction.
2. Fault Alarm Function available.
3. FG signal output, it is convenient for system to manage fan.
4. Low power dissipation (1/3 of AC fans), low temperature rise, long life.
5. Wide range of operation voltage, AC 30V~AC230V.
6. Constant speed Function, speed remains at the same when the volt is changed.
7. Soft start Function is available, so it can avoid electronic components damaged by impulse current.
8. EMC Filter inside, little interference.
9. None noise like AC fan.
10. It has two voltage, no matter you input AC 110V or AC 220V, the speed is the same.

Energy conservation
70%

Waterproof
IP68

Explosion proof
ATEX

Suitable temperature
-10°C~+70°C



Certificate

The CFCs (chlorofluorocarbons) in the HCFC series refrigerants used in refrigerating equipment have destructed the ozone layer and gradually banned or reduced to use by countries around the world.

This trend has been making more and more refrigerating equipment use environmentally friendly fluorine-free refrigerants. Since most of environmentally friendly refrigerants are Hydrocarbon halide, there is still a risk of explosion under some certain ambient conditions.

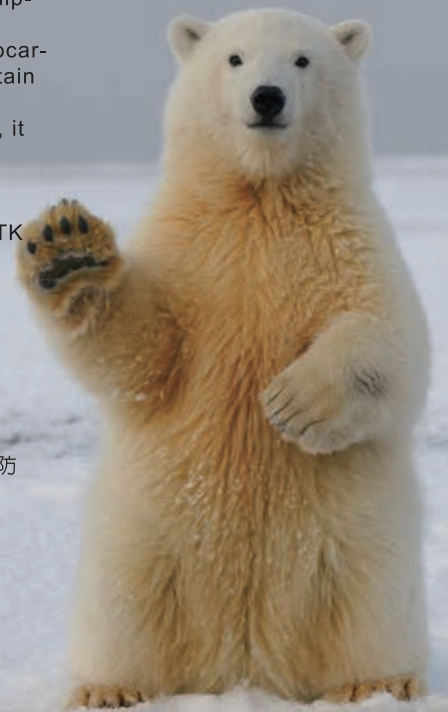
Therefore, when a fan is used in the refrigerating equipment, it is very important to use an explosive-free fan for safety.

In addition, traditional shaded-pole motor fans are gradually replaced by EC or DC fans in the market due to high energy consumption and low efficiency. In response to this trend, STK has applied for ATEX (ATmosphere EXplosible) certification, which contains IP68 as a standard requirement.

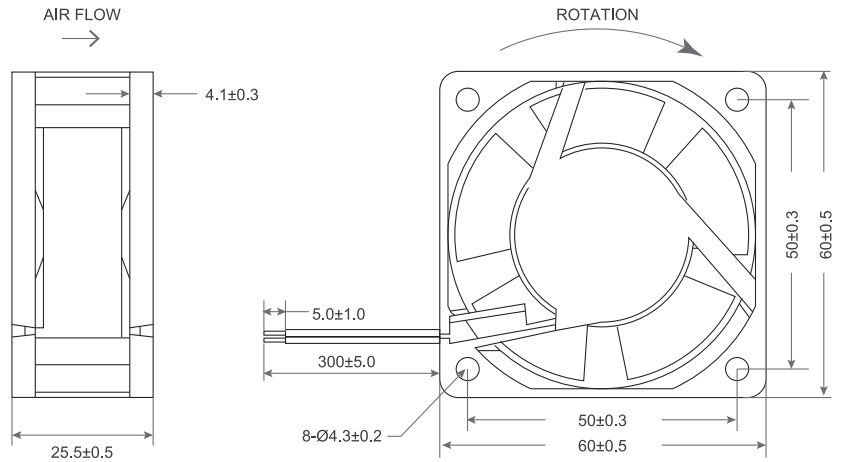
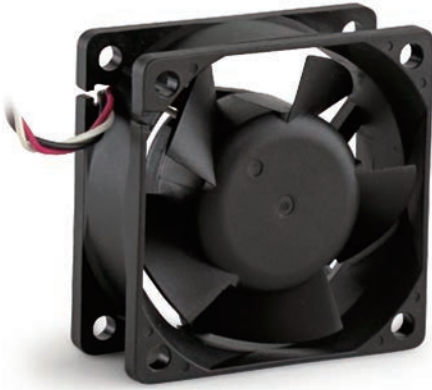
義大利的ATEX認證

由於冷凍空調設備裡的冷媒中的氟氯碳化合物，會破壞臭氧層，所以世界各國陸續改用新型的無氟環保冷媒，新型冷媒在不同環境使用下，仍會有爆炸疑慮，因此產品的防爆安全十分重要。

另外傳統的罩極式馬達風扇因高耗能，低效率，在市場上逐漸改由EC或DC風扇取代，因應此一趨勢，斯翠可已申請ATEX防爆認證，內含IP68防塵防水之基本要求。

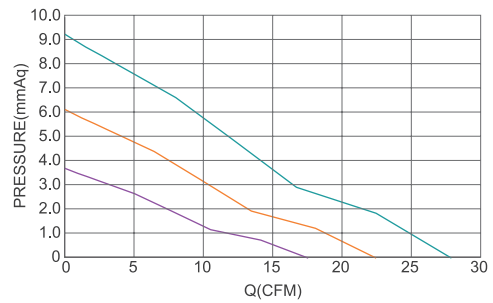


DIMENSIONS DRAWING UNIT : mm



- Frame : Thermoplastic PBT UL94-V0
外框材質：環保防火PBT
- Impeller : Thermoplastic PBT UL94-V0
扇葉材質：環保防火PBT
- Bearing System : ※ Sleeve · ★ WRB · ◎ Two Ball Bearing
軸承結構：※ 含油軸承 · ★ 專利軸承 · ◎ 滾珠軸承
- Unit Weight : 55g
風扇單體重量：55克

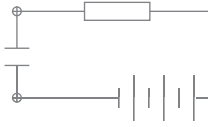
P&Q Curve At Rated Voltage



Model No.	Bearing Type	Voltage (VAC)	Frequency (HZ)	Power (W)	Speed (RPM)	Air Flow (CFM)	Air Flow (m ³ /min)	Air Pressure (mmH ₂ O)	Air Pressure (Inch H ₂ O)	Noise (dBA)
TRT6025x11D	※★◎	110 (80~120)	45~65	3.00	3500	17.56	0.50	3.76	0.15	30.80
TRT6025x11L	※★◎	110 (80~120)	45~65	3.80	4500	22.43	0.63	6.14	0.24	35.20
TRT6025x11M	※★◎	110 (80~120)	45~65	4.20	5500	27.32	0.77	9.10	0.36	39.50
TRT6025x22D	※★◎	220 (120~240)	45~65	3.00	3500	17.56	0.50	3.76	0.15	30.80
TRT6025x22L	※★◎	220 (120~240)	45~65	3.80	4500	22.43	0.63	6.14	0.24	35.20
TRT6025x22M	※★◎	220 (120~240)	45~65	4.20	5500	27.32	0.77	9.10	0.36	39.50

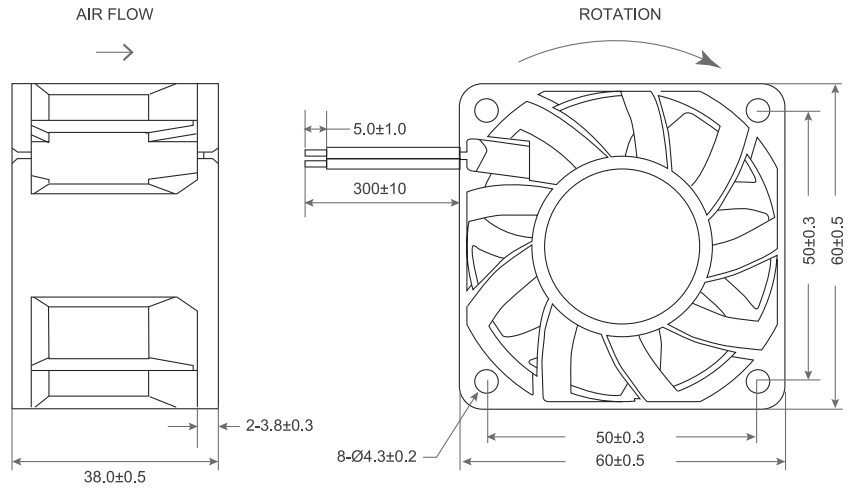
⊗ Bearing System ※ : Sleeve ★ : WRB ◎ : Ball

★如果您需要的轉速或電壓或功能不在這份清單上，請與我們業務聯繫 If you need another RPM or Voltage or Functions which one is not in the list, please contact us.
★產品詳細數據及功能請參閱承認書 Please see the approval sheet for more information . ★產品規格變更不另行通知 Specifications are subject to change without notice.



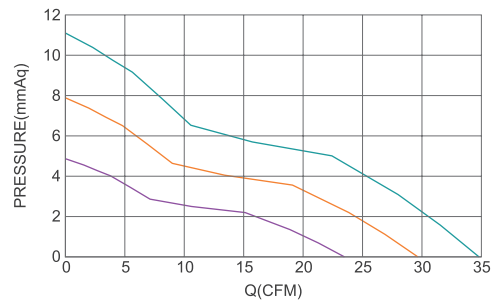
EC Axial Fan
TRT6038 SERIES 60X60X38mm

DIMENSIONS DRAWING UNIT : mm



- Frame : Thermoplastic PBT UL94-V0
外框材質：環保防火PBT
- Impeller : Thermoplastic PBT UL94-V0
扇葉材質：環保防火PBT
- Bearing System : ※ Sleeve · ★ WRB · ◎ Two Ball Bearing
軸承結構：※ 含油軸承 · ★ 專利軸承 · ◎ 滾珠軸承
- Unit Weight : 106g
風扇單體重量：106克

P&Q Curve At Rated Voltage



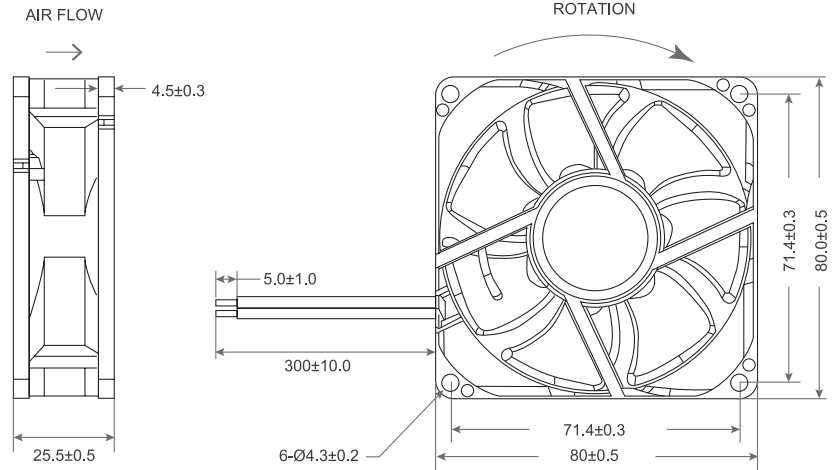
Model No.	Bearing Type	Voltage (VAC)	Frequency (HZ)	Power (W)	Speed (RPM)	Air Flow (CFM)	Air Flow (m ³ /min)	Air Pressure (mmH ₂ O)	Air Pressure (Inch H ₂ O)	Noise (dBA)
TRT6038x11L	※ ★ ◎	110(80~120)	45~65	3.00	3000	17.56	0.50	2.83	0.11	30.80
TRT6038x11M	※ ★ ◎	110(80~120)	45~65	3.60	4000	23.32	0.66	4.95	0.19	36.90
TRT6038x11H	※ ★ ◎	110(80~120)	45~65	4.40	5000	29.01	0.82	7.66	0.30	43.00
TRT6038x11VH	※ ★ ◎	110(80~120)	45~65	5.00	6000	34.70	0.98	10.96	0.43	47.40
TRT6038x22L	※ ★ ◎	220(120~240)	45~65	3.00	3000	17.56	0.50	2.83	0.11	30.80
TRT6038x22M	※ ★ ◎	220(120~240)	45~65	3.60	4000	23.32	0.66	4.95	0.19	36.90
TRT6038x22H	※ ★ ◎	220(120~240)	45~65	4.40	5000	29.01	0.82	7.66	0.30	43.00
TRT6038x22VH	※ ★ ◎	220(120~240)	45~65	5.00	6000	34.70	0.98	10.96	0.43	47.40

⊗ Bearing System ※ : Sleeve ★ : WRB ◎ : Ball

★如果您需要的轉速或電壓或功能不在這份清單上，請與我們業務聯繫 If you need another RPM or Voltage or Functions which one is not in the list, please contact us.

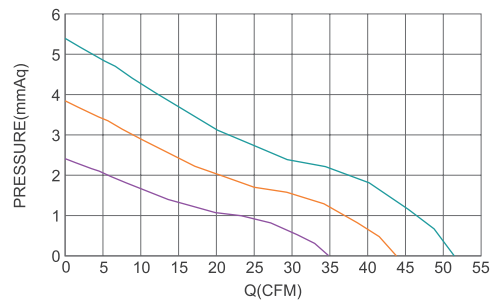
★產品詳細數據及功能請參閱承認書 Please see the approval sheet for more information . ★產品規格變更不另行通知 Specifications are subject to change without notice.

DIMENSIONS DRAWING UNIT : mm



- Frame : Thermoplastic PBT UL94-V0
外框材質：環保防火PBT
- Impeller : Thermoplastic PBT UL94-V0
扇葉材質：環保防火PBT
- Bearing System : ※ Sleeve · ★ WRB · ◎ Two Ball Bearing
軸承結構：※ 含油軸承 · ★ 專利軸承 · ◎ 滾珠軸承
- Unit Weight : 54g
風扇單體重量：54克

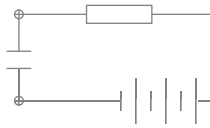
P&Q Curve At Rated Voltage



Model No.	Bearing Type	Voltage (VAC)	Frequency (HZ)	Power (W)	Speed (RPM)	Air Flow (CFM)	(m ³ /min)	Air Pressure (mmH ₂ O)	(Inch H ₂ O)	Noise (dBA)
TRT8025x11D	※★◎	110(80~120)	45~65	3.00	2400	34.86	0.99	2.45	0.10	29.90
TRT8025x11L	※★◎	110(80~120)	45~65	3.80	3000	43.23	1.22	3.77	0.15	34.80
TRT8025x11M	※★◎	110(80~120)	45~65	4.20	3600	51.59	1.46	5.37	0.21	38.30
TRT8025x22D	※★◎	220(120~240)	45~65	3.00	2400	34.86	0.99	2.45	0.10	29.90
TRT8025x22L	※★◎	220(120~240)	45~65	3.80	3000	43.23	1.22	3.77	0.15	34.80
TRT8025x22M	※★◎	220(120~240)	45~65	4.20	3600	51.59	1.46	5.37	0.21	38.30

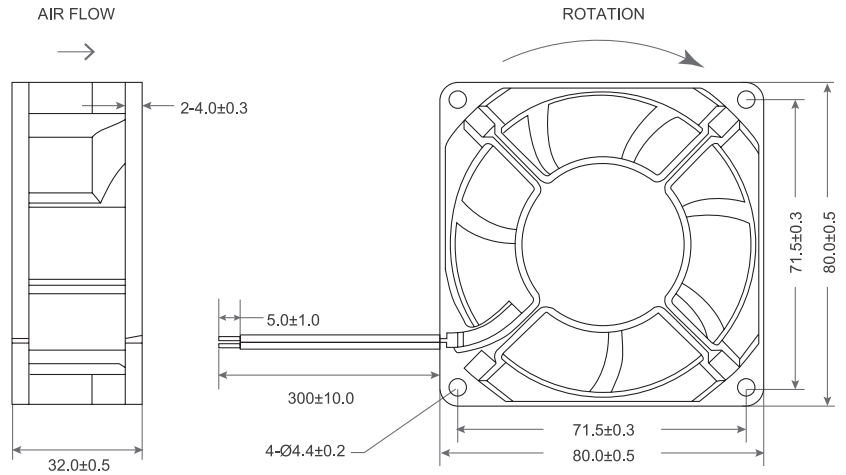
⊗ Bearing System ※ : Sleeve ★ : WRB ◎ : Ball

★如果您需要的轉速或電壓或功能不在這份清單上，請與我們業務聯繫 If you need another RPM or Voltage or Functions which one is not in the list, please contact us.
 ★產品詳細數據及功能請參閱承認書 Please see the approval sheet for more information . ★產品規格變更不另行通知 Specifications are subject to change without notice.



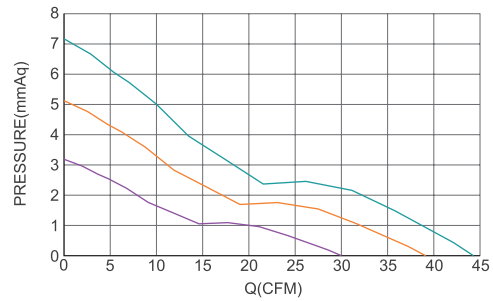
EC Axial Fan TRT8032 SERIES 80X80X32mm

DIMENSIONS DRAWING UNIT : mm



- Frame : Thermoplastic PBT UL94-V0
外框材質 : 環保防火PBT
- Impeller : Thermoplastic PBT UL94-V0
扇葉材質 : 環保防火PBT
- Bearing System : ※ Sleeve · ★ WRB · ◎ Two Ball Bearing
軸承結構 : ※ 含油軸承 · ★ 專利軸承 · ◎ 滾珠軸承
- Unit Weight : 95g
風扇單體重量 : 95克

P&Q Curve At Rated Voltage

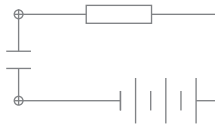


Model No.	Bearing Type	Voltage (VAC)	Frequency (HZ)	Power (W)	Speed (RPM)	Air Flow (CFM)	Air Flow (m ³ /min)	Air Pressure (mmH ₂ O)	Air Pressure (Inch H ₂ O)	Noise (dBA)
TRT8032x11D	※ ★ ◎	110(80~120)	45~65	3.60	2400	29.89	0.85	3.26	0.13	22.50
TRT8032x11L	※ ★ ◎	110(80~120)	45~65	4.00	3000	37.07	1.05	5.01	0.20	25.00
TRT8032x11M	※ ★ ◎	110(80~120)	45~65	4.50	3600	44.24	1.25	7.14	0.28	36.50
TRT8032x22D	※ ★ ◎	220(120~240)	45~65	3.60	2400	29.89	0.85	3.26	0.13	22.50
TRT8032x22L	※ ★ ◎	220(120~240)	45~65	4.00	3000	37.07	1.05	5.01	0.20	25.00
TRT8032x22M	※ ★ ◎	220(120~240)	45~65	4.50	3600	44.24	1.25	7.14	0.28	36.50

⊗ Bearing System ※ : Sleeve ★ : WRB ◎ : Ball

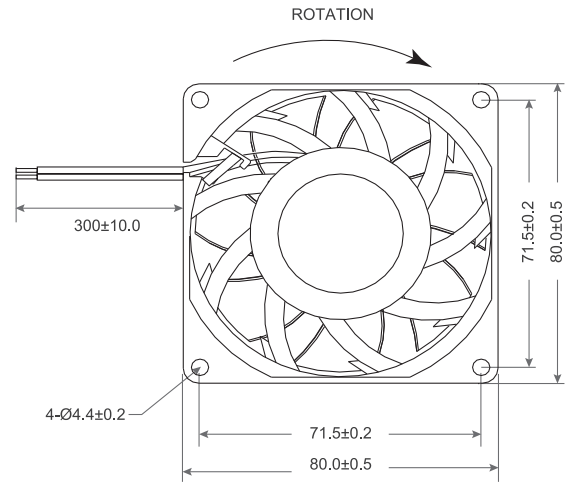
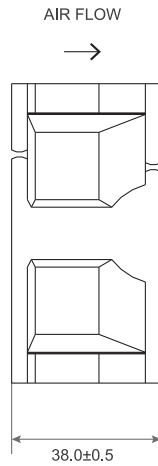
★如果您需要的轉速或電壓或功能不在這份清單上，請與我們業務聯繫 If you need another RPM or Voltage or Functions which one is not in the list, please contact us.

★產品詳細數據及功能請參閱承認書 Please see the approval sheet for more information . ★產品規格變更不另行通知 Specifications are subject to change without notice.



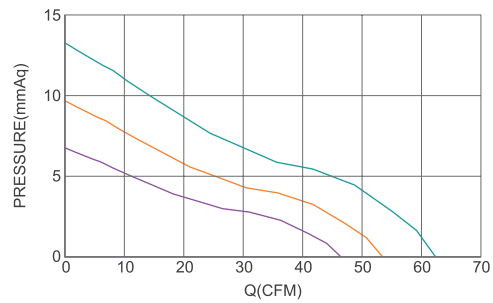
EC Axial Fan TRT8038 Y SERIES 80X80X38mm

DIMENSIONS DRAWING UNIT : mm



- Frame : Thermoplastic PBT UL94-V0
外框材質：環保防火PBT
- Impeller : Thermoplastic PBT UL94-V0
扇葉材質：環保防火PBT
- Bearing System : ※ Sleeve · ★ WRB · ◎ Two Ball Bearing
軸承結構：※ 含油軸承 · ★ 專利軸承 · ◎ 滾珠軸承
- Unit Weight : 177.6g
風扇單體重量：177.6克

P&Q Curve At Rated Voltage

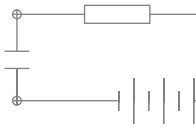


Model No.	Bearing Type	Voltage (VAC)	Frequency (HZ)	Power (W)	Speed (RPM)	Air Flow (CFM)	Air Flow (m ³ /min)	Air Pressure (mmH ₂ O)	Air Pressure (Inch H ₂ O)	Noise (dBA)
TRT8038x11D	※★◎	110(80~120)	45~65	3.0	2400	31.24	0.88	3.16	0.12	22.5
TRT8038x11L	※★◎	110(80~120)	45~65	3.6	3000	38.73	1.10	4.85	0.19	25.0
TRT8038x11M	※★◎	110(80~120)	45~65	4.0	3600	46.23	1.31	6.91	0.27	36.5
TRT8038x11H	※★◎	110(80~120)	45~65	4.5	4200	53.73	1.52	9.34	0.37	39.5
TRT8038x11H(Y)	※◎	220(120~240)	45~65	9.0	5000	62.30	1.76	13.60	0.45	52.1
TRT8038x22D	※★◎	220(120~240)	45~65	3.0	2400	31.24	0.88	3.16	0.12	22.5
TRT8038x22L	※★◎	220(120~240)	45~65	3.6	3000	38.73	1.10	4.85	0.19	25.0
TRT8038x22M	※★◎	220(120~240)	45~65	4.0	3600	46.23	1.31	6.91	0.27	36.5
TRT8038x22H	※★◎	110(80~120)	50 / 60	4.5	4200	53.73	1.52	9.34	0.37	39.5
TRT8038x22H(Y)	※◎	220(120~240)	50 / 60	9.0	5000	62.30	1.76	13.60	0.45	52.1

⊗ Bearing System ※ : Sleeve ★ : WRB ◎ : Ball

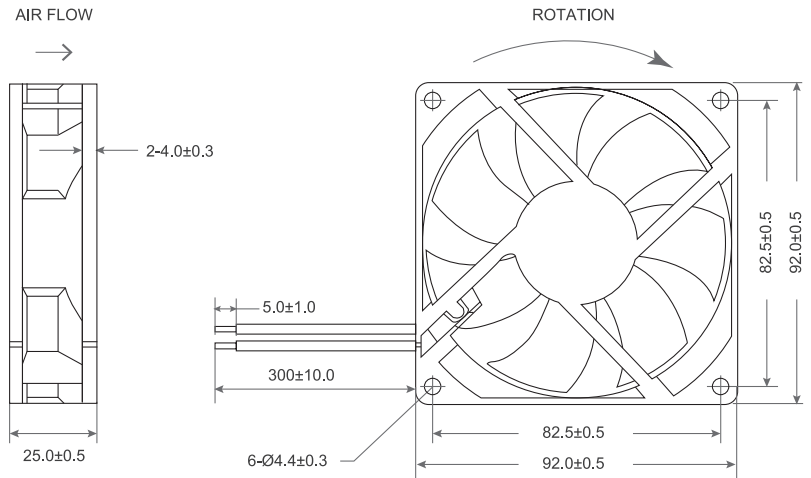
★如果您需要的轉速或電壓或功能不在這份清單上，請與我們業務聯繫 If you need another RPM or Voltage or Functions which one is not in the list, please contact us.

★產品詳細數據及功能請參閱承認書 Please see the approval sheet for more information . ★產品規格變更不另行通知 Specifications are subject to change without notice.

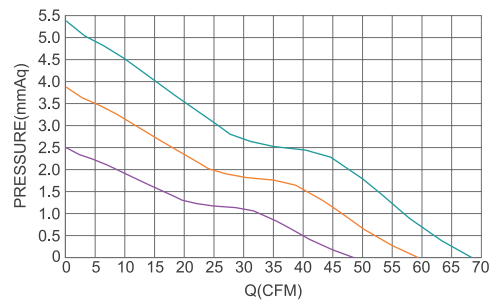


EC Axial Fan TRT9225 SERIES 92X92X25mm

DIMENSIONS DRAWING UNIT : mm



P&Q Curve At Rated Voltage



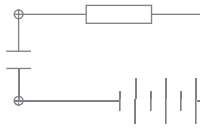
- Frame : Thermoplastic PBT UL94-V0
外框材質 : 環保防火PBT
- Impeller : Thermoplastic PBT UL94-V0
扇葉材質 : 環保防火PBT
- Bearing System : ※ Sleeve · ★ WRB · ◎ Two Ball Bearing
軸承結構 : ※ 含油軸承 · ★ 專利軸承 · ◎ 滾珠軸承
- Unit Weight : 78g
風扇單體重量 : 78克

Model No.	Bearing Type	Voltage (VAC)	Frequency (HZ)	Power (W)	Speed (RPM)	Air Flow (CFM)	Air Flow (m ³ /min)	Air Pressure (mmH ₂ O)	Air Pressure (Inch H ₂ O)	Noise (dBA)
TRT9225x11D	※ ★ ◎	110(80~120)	45~65	3.20	2400	46.60	1.32	2.50	0.10	32.70
TRT9225x11L	※ ★ ◎	110(80~120)	45~65	4.00	3000	57.79	1.64	3.84	0.15	37.40
TRT9225x11M	※ ★ ◎	110(80~120)	45~65	4.40	3600	68.97	1.95	5.45	0.21	42.80
TRT9225x22D	※ ★ ◎	220(120~240)	45~65	3.20	2400	46.60	1.32	2.50	0.10	32.70
TRT9225x22L	※ ★ ◎	220(120~240)	45~65	4.00	3000	57.79	1.64	3.84	0.15	37.40
TRT9225x22M	※ ★ ◎	220(120~240)	45~65	4.40	3600	68.97	1.95	5.45	0.21	42.80

⊗ Bearing System ※ : Sleeve ★ : WRB ◎ : Ball

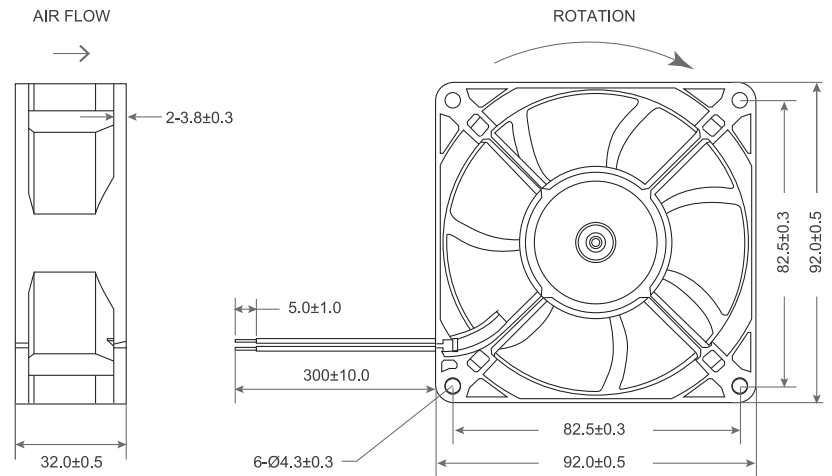
★如果您需要的轉速或電壓或功能不在這份清單上，請與我們業務聯繫 If you need another RPM or Voltage or Functions which one is not in the list, please contact us.

★產品詳細數據及功能請參閱承認書 Please see the approval sheet for more information . ★產品規格變更不另行通知 Specifications are subject to change without notice.



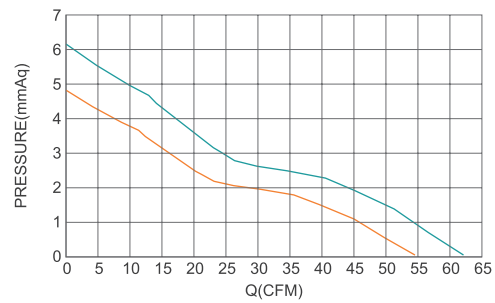
EC Axial Fan TRT9232 SERIES 92X92X32mm

DIMENSIONS DRAWING UNIT : mm



- Frame : Thermoplastic PBT UL94-V0
外框材質：環保防火PBT
- Impeller : Thermoplastic PBT UL94-V0
扇葉材質：環保防火PBT
- Bearing System : ※Sleeve · ★WRB · ◎Two Ball Bearing
軸承結構：※含油軸承 · ★專利軸承 · ◎滾珠軸承
- Unit Weight : 150g
風扇單體重量：150克

P&Q Curve At Rated Voltage

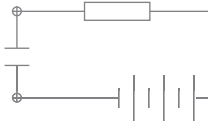


Model No.	Bearing Type	Voltage (VAC)	Frequency (HZ)	Power (W)	Speed (RPM)	Air Flow (CFM)	Air Flow (m ³ /min)	Air Pressure (mmH ₂ O)	Air Pressure (Inch H ₂ O)	Noise (dBA)
TRT9232x11D	※★◎	110(80~120)	45~65	3.60	2800	54.41	1.54	4.76	0.19	39.60
TRT9232x11L	※★◎	110(80~120)	45~65	4.20	3200	61.92	1.75	6.16	0.24	43.20
TRT9232x22D	※★◎	220(120~240)	45~65	3.60	2800	54.41	1.54	4.76	0.19	39.60
TRT9232x22L	※★◎	220(120~240)	45~65	4.20	3200	61.92	1.75	6.16	0.24	43.20

⊗ Bearing System ※ : Sleeve ★ : WRB ◎ : Ball

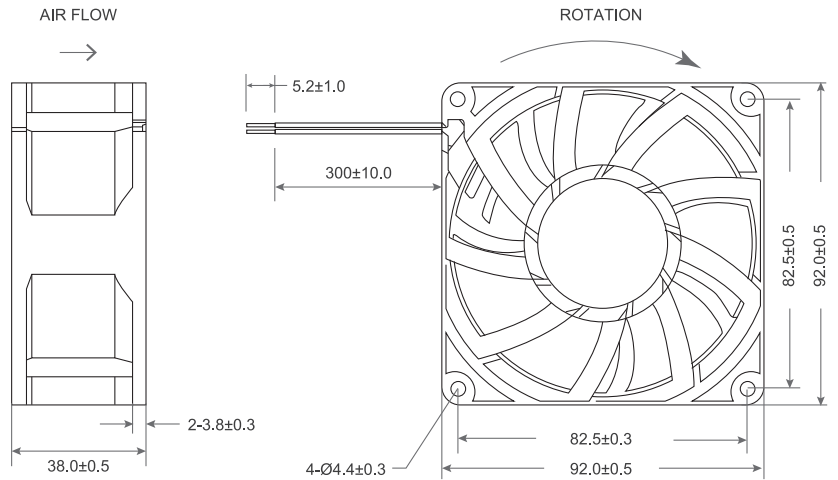
★如果您需要的轉速或電壓或功能不在這份清單上，請與我們業務聯繫 If you need another RPM or Voltage or Functions which one is not in the list, please contact us.

★產品詳細數據及功能請參閱承認書 Please see the approval sheet for more information . ★產品規格變更不另行通知 Specifications are subject to change without notice.



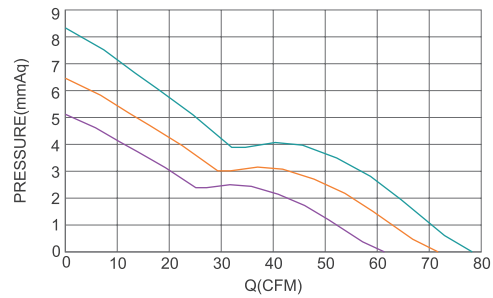
EC Axial Fan TRT9238 SERIES 92X92X38mm

DIMENSIONS DRAWING UNIT : mm



- Frame : Thermoplastic PBT UL94-V0
外框材質 : 環保防火PBT
- Impeller : Thermoplastic PBT UL94-V0
扇葉材質 : 環保防火PBT
- Bearing System : ※ Sleeve · ★ WRB · ◎ Two Ball Bearing
軸承結構 : ※ 含油軸承 · ★ 專利軸承 · ◎ 滾珠軸承
- Unit Weight : 198g
風扇單體重量 : 198克

P&Q Curve At Rated Voltage



Model No.	Bearing Type	Voltage (VAC)	Frequency (HZ)	Power (W)	Speed (RPM)	Air Flow		Air Pressure		Noise (dBA)
						(CFM)	(m ³ /min)	(mmH ₂ O)	(Inch H ₂ O)	
TRT9238x11D	※ ★ ◎	110(80~120)	45~65	3.60	2800	61.88	1.75	5.03	0.20	35.90
TRT9238x11L	※ ★ ◎	110(80~120)	45~65	4.00	3200	70.41	1.99	6.51	0.28	39.40
TRT9238x11M	※ ★ ◎	110(80~120)	45~65	4.60	3600	78.95	2.23	8.19	0.32	42.50
TRT9238x22D	※ ★ ◎	220(120~240)	45~65	3.60	2800	61.88	1.75	5.03	0.20	35.90
TRT9238x22L	※ ★ ◎	220(120~240)	45~65	4.00	3200	70.41	1.99	6.51	0.28	39.40
TRT9238x22M	※ ★ ◎	220(120~240)	45~65	4.60	3600	78.95	2.23	8.19	0.32	42.50

⊗ Bearing System ※ : Sleeve ★ : WRB ◎ : Ball

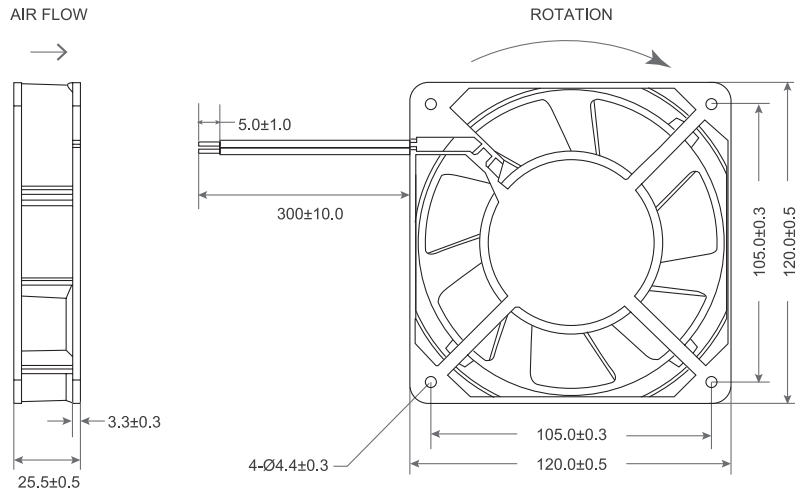
★如果您需要的轉速或電壓或功能不在這份清單上，請與我們業務聯繫 If you need another RPM or Voltage or Functions which one is not in the list, please contact us.
★產品詳細數據及功能請參閱承認書 Please see the approval sheet for more information . ★產品規格變更不另行通知 Specifications are subject to change without notice.



EC Axial Fan
TRT1225 SERIES 120X120X25mm

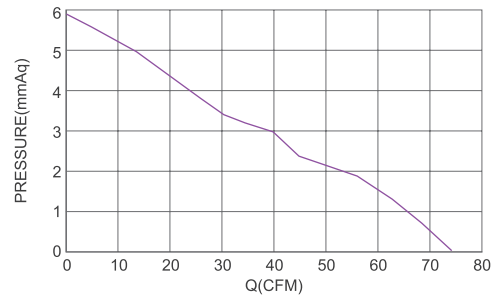


DIMENSIONS DRAWING UNIT : mm



- Frame : Thermoplastic PBT UL94-V0
外框材質：環保防火PBT
- Impeller : Thermoplastic PBT UL94-V0
扇葉材質：環保防火PBT
- Bearing System : ※Sleeve · ★WRB · ◎Two Ball Bearing
軸承結構：※含油軸承 · ★專利軸承 · ◎滾珠軸承
- Unit Weight : 125g
風扇單體重量：125克

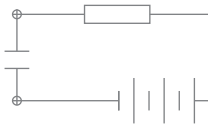
P&Q Curve At Rated Voltage



Model No.	Bearing Type	Voltage (VAC)	Frequency (HZ)	Power (W)	Speed (RPM)	Air Flow (CFM)	Air Flow (m ³ /min)	Air Pressure (mmH ₂ O)	Air Pressure (Inch H ₂ O)	Noise (dBA)
TRT1225x11M	※★◎	110(80~120)	45~65	4.20	2800	73.30	2.07	5.90	0.23	43.2
TRT1225x22M	※★◎	220(120~240)	45~65	4.20	2800	73.30	2.07	5.90	0.23	43.2

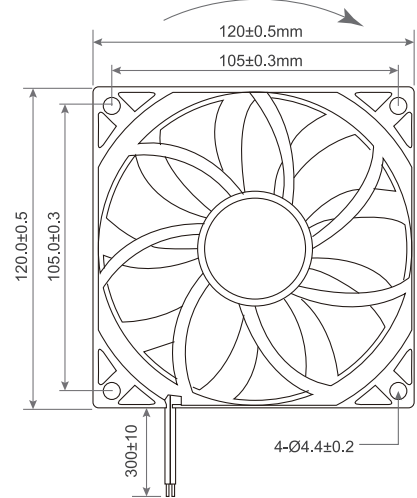
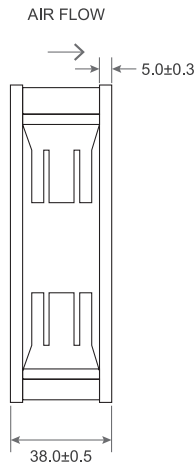
⊗ Bearing System ※ : Sleeve ★ : WRB ◎ : Ball

★如果您需要的轉速或電壓或功能不在這份清單上，請與我們業務聯繫 If you need another RPM or Voltage or Functions which one is not in the list, please contact us.
★產品詳細數據及功能請參閱承認書 Please see the approval sheet for more information . ★產品規格變更不另行通知 Specifications are subject to change without notice.



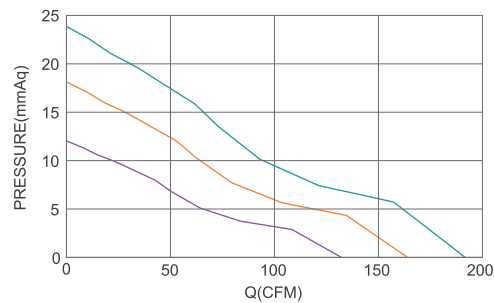
EC Axial Fan TRT1238 E SERIES 120X120X38mm

DIMENSIONS DRAWING UNIT : mm



- Frame : Thermoplastic PBT UL94-V0
外框材質 : 環保防火PBT
- Impeller : Thermoplastic PBT UL94-V0
扇葉材質 : 環保防火PBT
- Bearing System : ※Sleeve · ★WRB · ◎Two Ball Bearing
軸承結構 : ※含油軸承 · ★專利軸承 · ◎滾珠軸承
- Unit Weight : 250g
風扇單體重量 : 250克

P&Q Curve At Rated Voltage



Model No.	Bearing Type	Voltage (VAC)	Frequency (HZ)	Power (W)	Speed (RPM)	Air Flow (CFM)	Air Flow (m ³ /min)	Air Pressure (mmH ₂ O)	Air Pressure (Inch H ₂ O)	Noise (dBA)
TRT1238x11M	※★◎	110(80~120)	45~65	5.0	2600	84.0	2.38	6.9	0.27	41.7
TRT1238x11H	※★◎	110(80~120)	45~65	6.0	3200	99.5	2.81	9.8	0.39	47.8
TRT1238x11VH(E)	※★◎	110(80~120)	45~65	8.0	3800	121.3	3.43	14.5	0.57	51.5
TRT1238x11SH(E)	※★◎	110(80~120)	45~65	16.5	4200	180.0	5.28	24.0	1.01	61.9
TRT1238x22M	※★◎	220(120~240)	45~65	5.0	2600	84.0	2.38	6.9	0.27	41.7
TRT1238x22H	※★◎	220(120~240)	45~65	6.0	3200	99.5	2.81	9.8	0.39	47.8
TRT1238x22VH(E)	※★◎	220(120~240)	45~65	8.0	3800	121.3	3.43	14.5	0.57	51.5
TRT1238x22SH(E)	※★◎	220(120~240)	45~65	16.5	4200	180.0	5.28	24.0	1.01	61.9

⊗ Bearing System ※ : Sleeve ★ : WRB ◎ : Ball

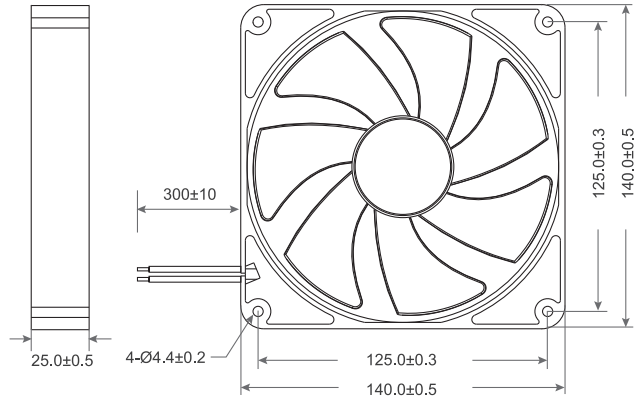
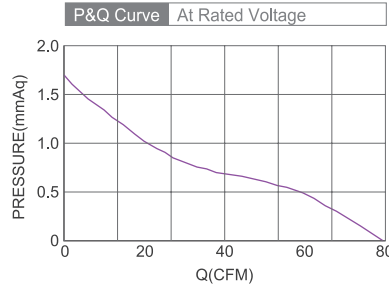
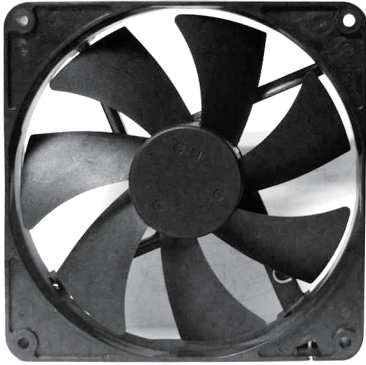
★如果您需要的轉速或電壓或功能不在這份清單上，請與我們業務聯繫 If you need another RPM or Voltage or Functions which one is not in the list, please contact us.

★產品詳細數據及功能請參閱承認書 Please see the approval sheet for more information . ★產品規格變更不另行通知 Specifications are subject to change without notice. ■ F10

EC Axial Fan TRT14025 Y SERIES 140X140X25mm

- Material : Thermoplastic PBT UL94-V0
材質：環保防火PBT
- Bearing System : Sleeve Bearing · Two Ball Bearing
軸承結構：含油軸承 · 滾珠軸承
- Weight : 166.8g
風扇單體重量：166.8克

DIMENSIONS DRAWING UNIT : mm

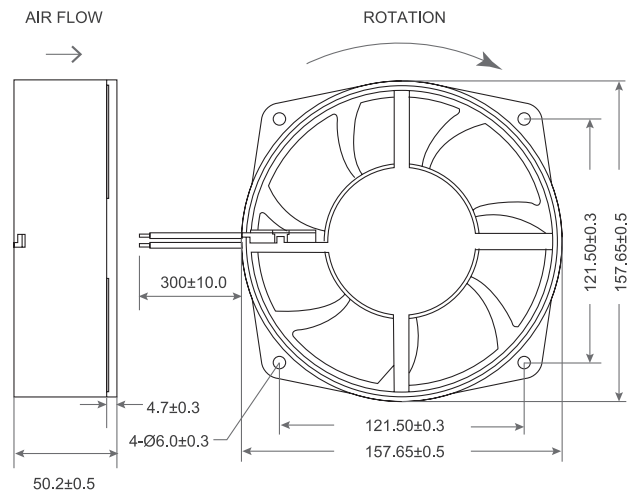
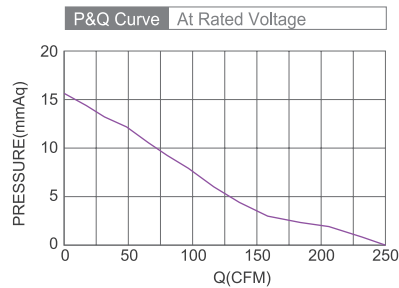


Model No.	Bearing Type	Voltage (VAC)	Frequency (HZ)	Power (W)	Speed (RPM)	Air Flow (CFM)	Air Flow (m ³ /min)	Air Pressure (mmH ₂ O)	Air Pressure (Inch H ₂ O)	Noise (dBA)
TRT14025x11M	※◎	110(85~135)	50 / 60	4.0	1800	76.10	2.16	1.70	0.07	38.8
TRT14025x22M	※◎	220(180~265)	50 / 60	4.0	1800	76.10	2.16	1.70	0.07	38.8

EC Axial Fan TRT16050 SERIES 160X160X50mm

- Material : Thermoplastic PBT UL94-V0
材質：環保防火PBT
- Bearing System : Two Ball Bearing
軸承結構：滾珠軸承
- Weight : 470g
風扇單體重量：470克

DIMENSIONS DRAWING UNIT : mm

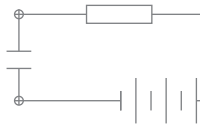


Model No.	Bearing Type	Voltage (VAC)	Frequency (HZ)	Power (W)	Speed (RPM)	Air Flow (CFM)	Air Flow (m ³ /min)	Air Pressure (mmH ₂ O)	Air Pressure (Inch H ₂ O)	Noise (dBA)
TRT16050B11M	◎	110(80~120)	45~65	16.0	2800	246.20	6.71	15.32	0.60	52.5
TRT16050B22M	◎	220(120~240)	45~65	16.0	2800	246.20	6.71	15.32	0.60	52.5
TRT16050B38M	◎	380(260~450)	45~65	16.0	2800	246.20	6.71	15.32	0.60	52.5

⊗ Bearing System ※ : Sleeve ★ : WRB ◎ : Ball

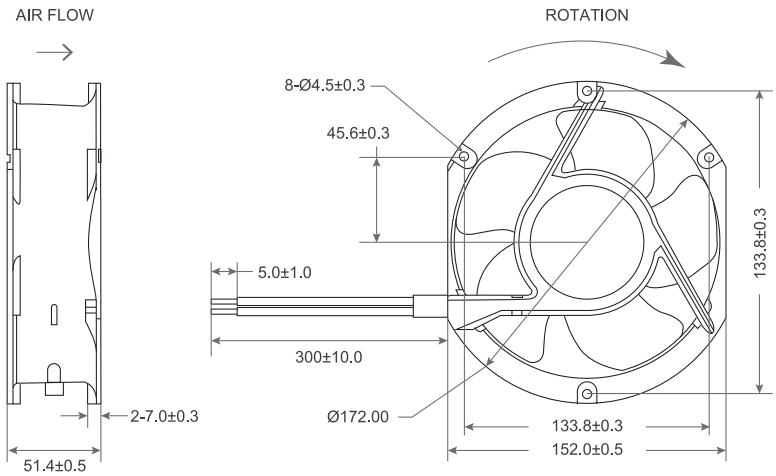
★如果您需要的轉速或電壓或功能不在這份清單上，請與我們業務聯繫 If you need another RPM or Voltage or Functions which one is not in the list, please contact us.

★產品詳細數據及功能請參閱承認書 Please see the approval sheet for more information . ★產品規格變更不另行通知 Specifications are subject to change without notice.



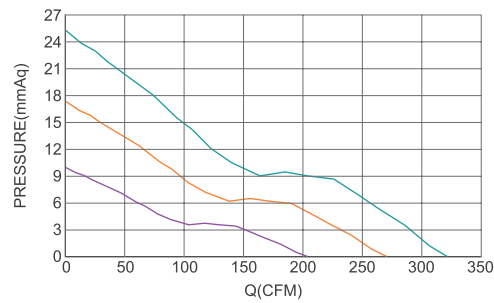
EC Axial Fan TRT17251 SERIES 172X150X51mm

DIMENSIONS DRAWING UNIT : mm



- Frame : Aluminum
外框材質 : 鋁
- Impeller : Thermoplastic PBT UL94-V0
扇葉材質 : 環保防火PBT
- Bearing System : Two Ball Bearing
軸承結構 : 滾珠軸承
- Unit Weight : 720g
風扇單體重量 : 720克

P&Q Curve At Rated Voltage

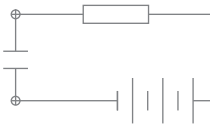


Model No.	Bearing Type	Voltage (VAC)	Frequency (HZ)	Power (W)	Speed (RPM)	Air Flow (CFM)	Air Flow (m ³ /min)	Air Pressure (mmH ₂ O)	Air Pressure (Inch H ₂ O)	Noise (dBA)
TRT17251x11L	◎	110(80~120)	45~65	13.00	2600	202.24	5.72	9.78	0.39	49.20
TRT17251x11M	◎	110(80~120)	45~65	20.00	3500	269.65	7.63	17.38	0.68	56.90
TRT17251x11H	◎	110(80~120)	45~65	32.00	4200	322.10	9.11	24.79	0.98	61.70
TRT17251x22L	◎	220(120~240)	45~65	13.00	2600	202.24	5.72	9.78	0.39	49.20
TRT17251x22M	◎	220(120~240)	45~65	20.00	3500	269.65	7.63	17.38	0.68	56.90
TRT17251x22H	◎	220(120~240)	45~65	32.00	4200	322.10	9.11	24.79	0.98	61.70

⊗ Bearing System ※ : Sleeve ★ : WRB ◎ : Ball

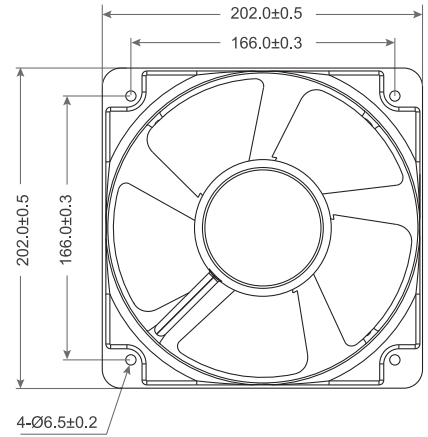
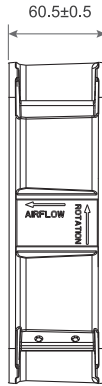
★如果您需要的轉速或電壓或功能不在這份清單上，請與我們業務聯繫 If you need another RPM or Voltage or Functions which one is not in the list, please contact us.

★產品詳細數據及功能請參閱承認書 Please see the approval sheet for more information . ★產品規格變更不另行通知 Specifications are subject to change without notice. ■ F12



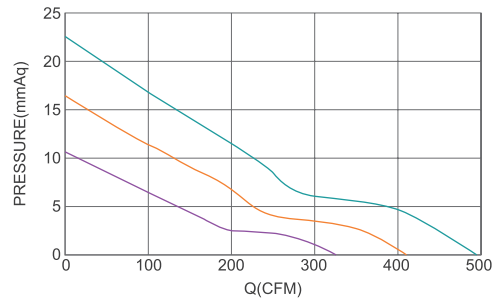
EC Axial Fan TRT20060 Y SERIES 200X200X60mm

DIMENSIONS DRAWING UNIT : mm



- Frame : Thermoplastic PBT UL94-V0
外框材質：環保防火PBT
- Impeller : Thermoplastic PBT UL94-V0
扇葉材質：環保防火PBT
- Bearing System : Two Ball Bearing
軸承結構：滾珠軸承
- Unit Weight : 2800g
風扇單體重量：2800克

P&Q Curve At Rated Voltage

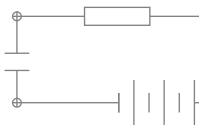


Model No.	Bearing Type	Voltage (VAC)	Frequency (HZ)	Power (W)	Speed (RPM)	Air Flow (CFM)	(m ³ /min)	Air Pressure (mmH ₂ O)	(Inch H ₂ O)	Noise (dBA)
TRT20060x11L	◎	110(80~135)	50/60	40.0	2000	324.00	9.17	10.62	0.42	58.6
TRT20060x11M	◎	110(80~135)	50/60	50.0	2500	407.92	11.55	16.61	0.65	62.4
TRT20060x11H	◎	110(80~135)	50/60	70.0	3000	492.43	13.94	22.69	0.89	68.5
TRT20060x22L	◎	220(180~265)	50/60	40.0	2000	324.00	9.17	10.62	0.42	58.6
TRT20060x22M	◎	220(180~265)	50/60	50.0	2500	407.92	11.55	16.61	0.65	62.4
TRT20060x22H	◎	220(180~265)	50/60	70.0	3000	492.43	13.94	22.69	0.89	68.5

⊗ Bearing System ※ : Sleeve ★ : WRB ◎ : Ball

★如果您需要的轉速或電壓或功能不在這份清單上，請與我們業務聯繫 If you need another RPM or Voltage or Functions which one is not in the list, please contact us.

■ F13 ★產品詳細數據及功能請參閱承認書 Please see the approval sheet for more information . ★產品規格變更不另行通知 Specifications are subject to change without notice.

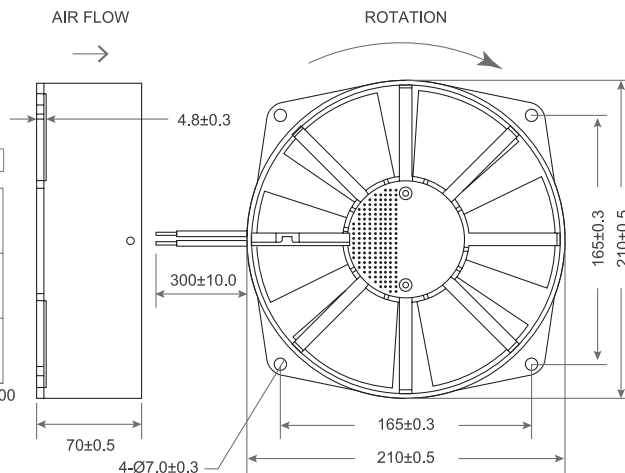
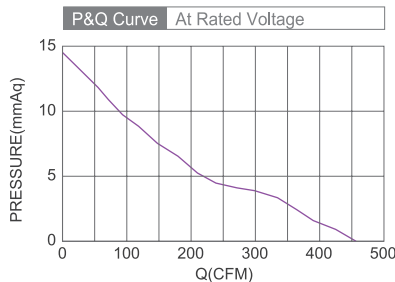


EC Axial Fan TRT20070 SERIES 200X200X70mm

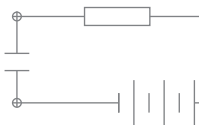


- Material : Thermoplastic PBT UL94-V0
材質：環保防火PBT
- Bearing System : Two Ball Bearing
軸承結構：滾珠軸承
- Weight : 750g
風扇單體重量：750克

DIMENSIONS DRAWING UNIT : mm



Model No.	Bearing Type	Voltage (VAC)	Frequency (HZ)	Power (W)	Speed (RPM)	Air Flow (CFM)	Air Flow (m ³ /min)	Air Pressure (mmH ₂ O)	Air Pressure (Inch H ₂ O)	Noise (dBA)
TRT20070Bx11M	◎	110(80~120)	45~65	28.00	2600	452.47	12.79	14.63	0.58	62.8
TRT20070Bx22M	◎	220(120~240)	45~65	28.00	2600	452.47	12.79	14.63	0.58	62.8

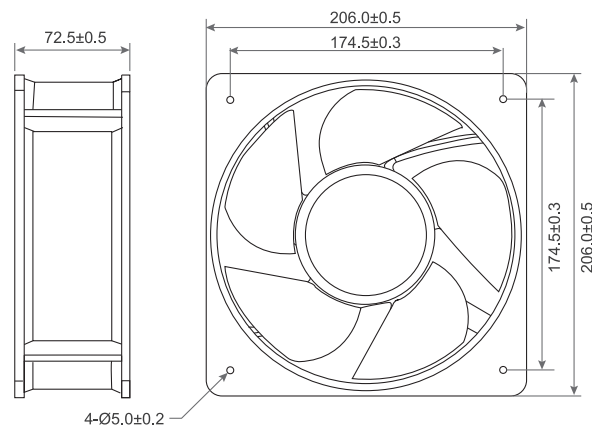
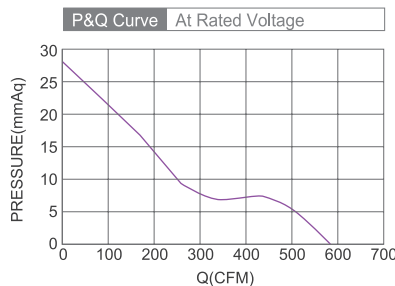


EC Axial Fan TRT20672 SERIES 206X206X72mm



- Material : Thermoplastic PBT UL94-V0
材質：環保防火PBT
- Bearing System : Two Ball Bearing
軸承結構：滾珠軸承
- Weight : 2800g
風扇單體重量：2800克

DIMENSIONS DRAWING UNIT : mm

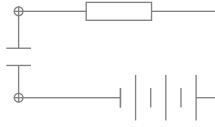


Model No.	Bearing Type	Voltage (VAC)	Frequency (HZ)	Power (W)	Speed (RPM)	Air Flow (CFM)	Air Flow (m ³ /min)	Air Pressure (mmH ₂ O)	Air Pressure (Inch H ₂ O)	Noise (dBA)
TRT20672x11H	◎	110(80~135)	50/60	60.0	3000	583.01	16.52	28.11	1.11	65.50
TRT20672x22H	◎	220(180~265)	50/60	60.0	3000	583.01	16.52	28.11	1.11	65.50

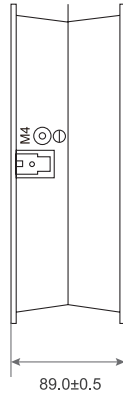
⊗ : Bearing System ※ : Sleeve ★ : WRB ◎ : Ball

★如果您需要的轉速或電壓或功能不在這份清單上，請與我們業務聯繫 If you need another RPM or Voltage or Functions which one is not in the list, please contact us.

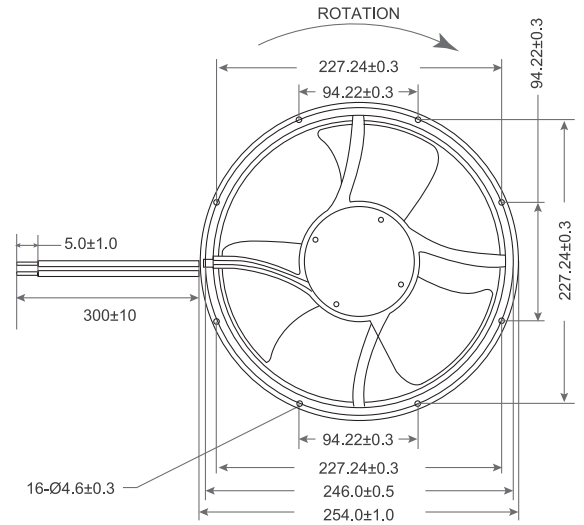
★產品詳細數據及功能請參閱承認書 Please see the approval sheet for more information . ★產品規格變更不另行通知 Specifications are subject to change without notice. ■ F14



EC Axial Fan TRT25489 SERIES 254X89mm

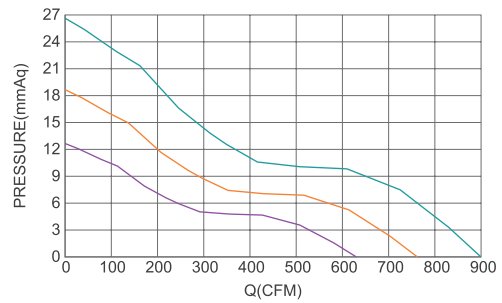


DIMENSIONS DRAWING UNIT : mm



- Frame : Aluminum
外框材質 : 鋁
- Impeller : Thermoplastic PBT UL94-V0
扇葉材質 : 環保防火PBT
- Bearing System : Two Ball Bearing
軸承結構 : 滾珠軸承
- Unit Weight : 2410g
風扇單體重量 : 2410克

P&Q Curve At Rated Voltage

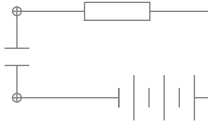


Model No.	Bearing Type	Voltage (VAC)	Frequency (HZ)	Power (W)	Speed (RPM)	Air Flow (CFM)	Air Flow (m ³ /min)	Air Pressure (mmH ₂ O)	Air Pressure (Inch H ₂ O)	Noise (dBA)
TRT25489x11D	◎	110(80~135)	45~65	28.00	1800	626.26	17.72	12.65	0.50	57.00
TRT25489x11L	◎	110(80~135)	45~65	39.00	2200	758.11	21.45	18.54	0.73	61.20
TRT25489x11M	◎	110(80~135)	45~65	68.00	2600	899.96	25.46	25.55	1.01	65.80
TRT25489x22D	◎	220(180~265)	45~65	28.00	1800	626.26	17.72	12.65	0.50	57.00
TRT25489x22L	◎	220(180~265)	45~65	39.00	2200	758.11	21.45	18.54	0.73	61.20
TRT25489x22M	◎	220(180~265)	45~65	68.00	2600	899.96	25.46	25.55	1.01	65.80

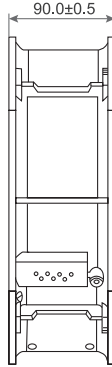
⊗ Bearing System ※ : Sleeve ★ : WRB ◎ : Ball

★如果您需要的轉速或電壓或功能不在這份清單上，請與我們業務聯繫 If you need another RPM or Voltage or Functions which one is not in the list, please contact us.

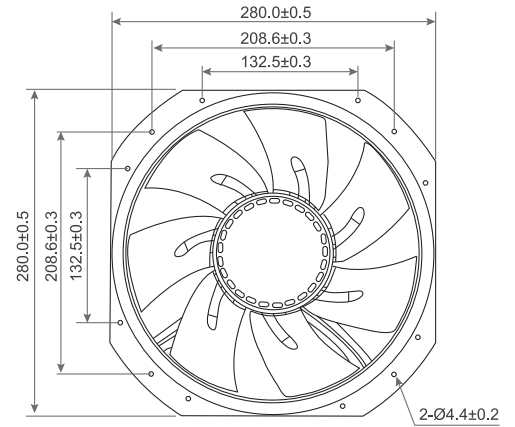
■ F15 ★產品詳細數據及功能請參閱承認書 Please see the approval sheet for more information . ★產品規格變更不另行通知 Specifications are subject to change without notice.



EC Axial Fan
TRT28090 Y SERIES 280X280X90mm

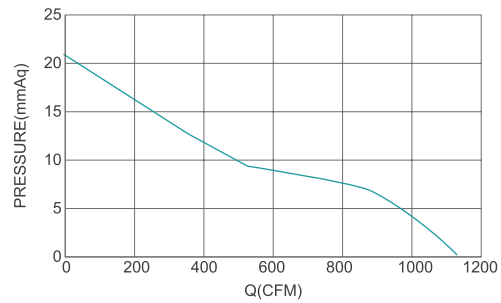


DIMENSIONS DRAWING UNIT : mm



- Frame : Aluminum
外框材質：鋁
- Impeller : Thermoplastic PBT UL94-V0
扇葉材質：環保防火PBT
- Bearing System : Two Ball Bearing
軸承結構：滾珠軸承
- Unit Weight : 3000g
風扇單體重量：3000克

P&Q Curve At Rated Voltage



Model No.	Bearing Type	Voltage (VAC)	Frequency (HZ)	Power (W)	Speed (RPM)	Air Flow (CFM)	Air Flow (m ³ /min)	Air Pressure (mmH ₂ O)	Air Pressure (Inch H ₂ O)	Noise (dBA)
TRT28090x11H	◎	110(80~135)	50/60	98.0	2500	1138.5	32.36	20.58	0.82	67.80
TRT28090x22H	◎	220(180~265)	50/60	98.0	2500	1138.5	32.36	20.58	0.82	67.80

⊗ Bearing System ※ : Sleeve ★ : WRB ◎ : Ball

★如果您需要的轉速或電壓或功能不在這份清單上，請與我們業務聯繫 If you need another RPM or Voltage or Functions which one is not in the list, please contact us.

★產品詳細數據及功能請參閱承認書 Please see the approval sheet for more information . ★產品規格變更不另行通知 Specifications are subject to change without notice. ■ F16



EC CENTRIFUGAL

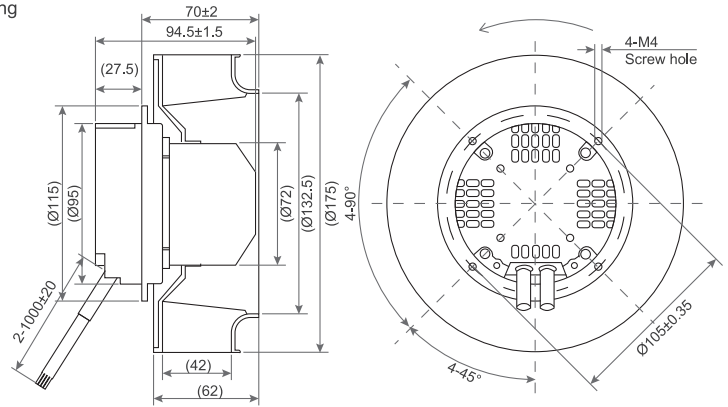
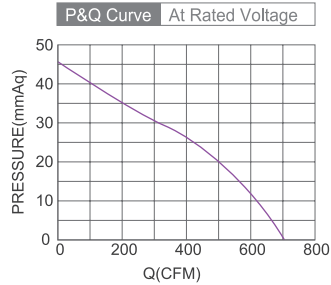




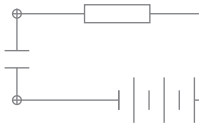
EC Centrifugal Fan SDC17572 AF SERIES Ø175X72mm

- Frame : Aluminum
外框材質：鋁
- Impeller : Thermoplastic PBT UL94-V0
扇葉材質：環保防火PBT
- Bearing System : Two Ball Bearing
軸承結構：滾珠軸承
- Unit Weight : 1300g
風扇單體重量：1300克

DIMENSIONS DRAWING UNIT : mm



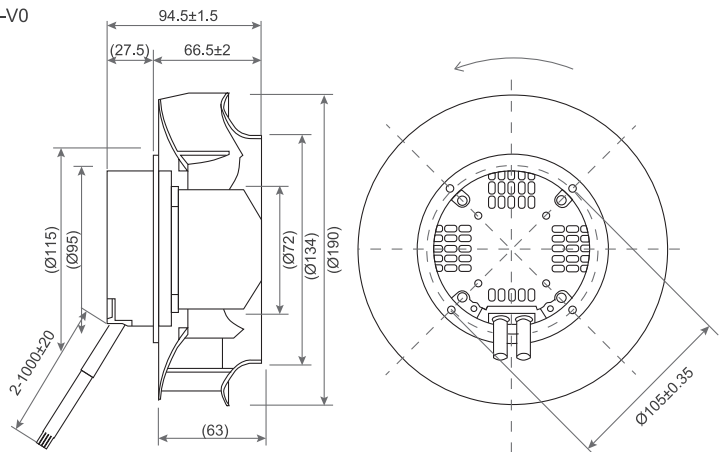
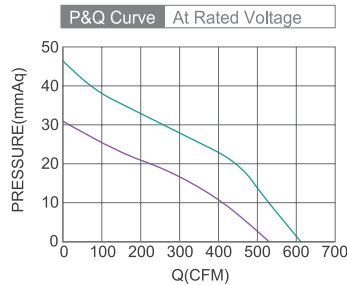
Model No.	Bearing Type	Voltage (VAC)	Frequency (Hz)	Power (W)	Speed (RPM)	Air Flow (CFM)	Air Flow (CMH)	Air Pressure (mmH ₂ O)	Air Pressure (Inch H ₂ O)	Noise (dBA)
SDC17572BE2HL	◎	220	50/60	80	3750	395	672	50.8	2.0	74.0



EC Centrifugal Fan SDC19072 AF SERIES Ø190X72mm

- Frame : Aluminum
外框材質：鋁
- Impeller : Thermoplastic PBT UL94-V0
扇葉材質：環保防火PBT
- Bearing System : Two Ball Bearing
軸承結構：滾珠軸承
- Unit Weight : 1300g
風扇單體重量：1300克

DIMENSIONS DRAWING UNIT : mm



Model No.	Bearing Type	Voltage (VAC)	Frequency (Hz)	Power (W)	Speed (RPM)	Air Flow (CFM)	Air Flow (CMH)	Air Pressure (mmH ₂ O)	Air Pressure (Inch H ₂ O)	Noise (dBA)
SDC19072BE2HL	◎	220	50/60	95.0	3570	264.6	451	60.96	2.4	78.0

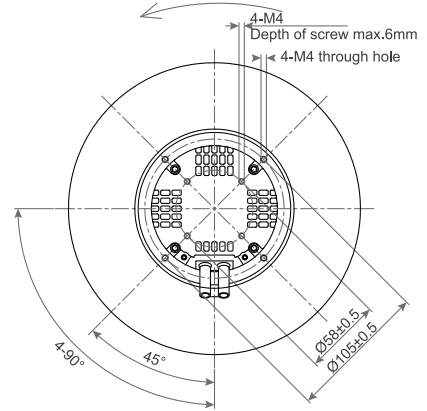
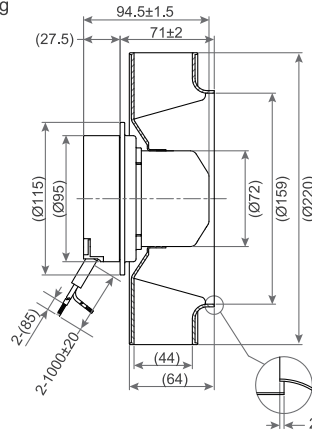
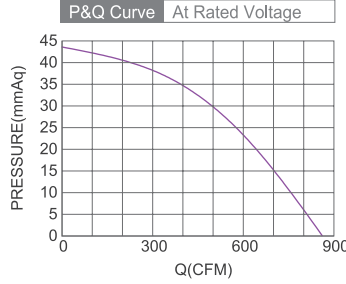


EC Centrifugal Fan SDC22072 AF SERIES Ø220X72mm

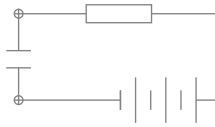


- Frame : Aluminum
外框材質：鋁
- Impeller : Thermoplastic PBT UL94-V0
扇葉材質：環保防火PBT
- Bearing System : Two Ball Bearing
軸承結構：滾珠軸承
- Unit Weight : 1300g
風扇單體重量：1300克

DIMENSIONS DRAWING UNIT : mm



Model No.	Bearing Type	Voltage (VAC)	Frequency (Hz)	Power (W)	Speed (RPM)	Air Flow (CFM)	Air Pressure (mm ² /min)	Air Pressure (mmH ₂ O)	Air Pressure (Inch H ₂ O)	Noise (dBA)
SDC22072BE2HL	◎	220(200-277)	50/60	70.0	2500	860	24.34	43.33	1.7	71.0

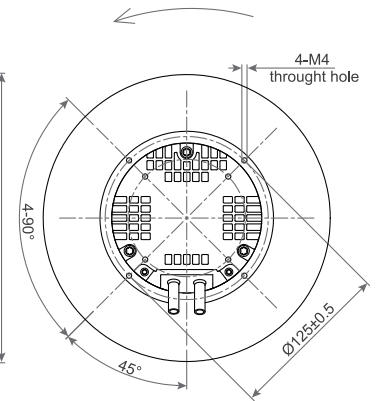
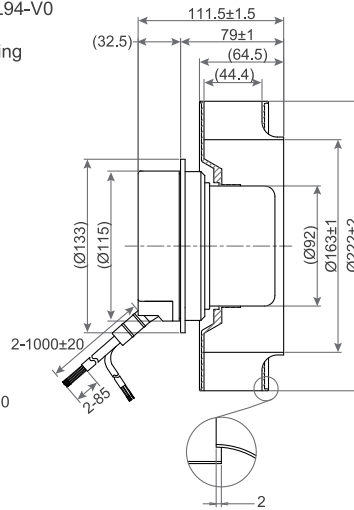
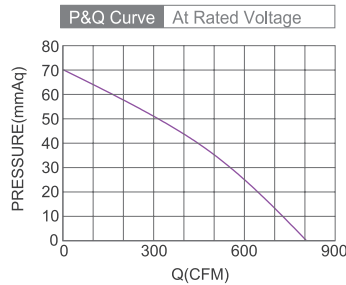


EC Centrifugal Fan SDC22092 AF SERIES Ø220X92mm

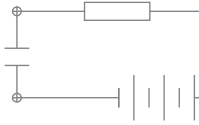


- Frame : Aluminum
外框材質：鋁
- Impeller : Thermoplastic PBT UL94-V0
扇葉材質：環保防火PBT
- Bearing System : Two Ball Bearing
軸承結構：滾珠軸承
- Unit Weight : 1300g
風扇單體重量：1300克

DIMENSIONS DRAWING UNIT : mm



Model No.	Bearing Type	Voltage (VAC)	Frequency (Hz)	Power (W)	Speed (RPM)	Air Flow (CFM)	Air Pressure (CMH)	Air Pressure (mmH ₂ O)	Air Pressure (Inch H ₂ O)	Noise (dBA)
SDC22092BE2HL	◎	220(200-277)	50/60	145.0	3310	823.2	23.38	71.38	2.82	75.0

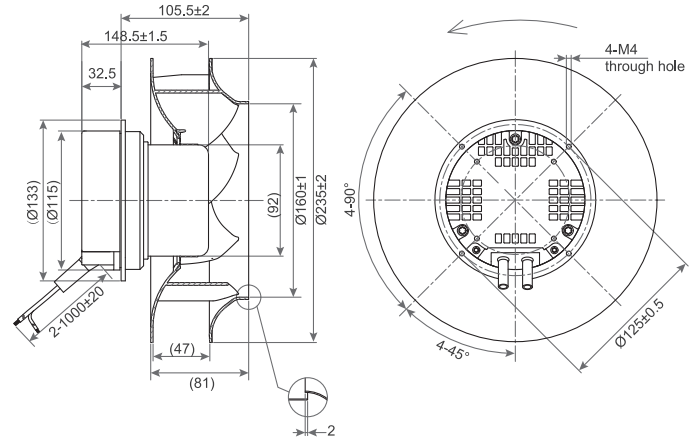
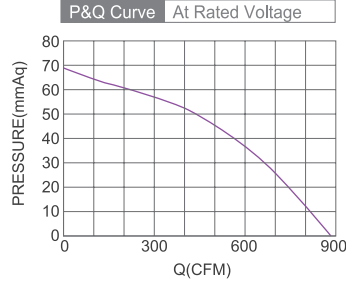


EC Centrifugal Fan SDC22592 AF SERIES Ø225X92mm

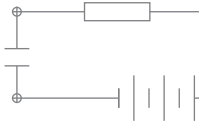


- Frame : Aluminum
外框材質：鋁
- Impeller : Thermoplastic PBT UL94-V0
扇葉材質：環保防火PBT
- Bearing System : Two Ball Bearing
軸承結構：滾珠軸承
- Unit Weight : 1500g
風扇單體重量：1500克

DIMENSIONS DRAWING UNIT : mm



Model No.	Bearing Type	Voltage (VAC)	Frequency (Hz)	Power (W)	Speed (RPM)	Air Flow (CFM)	Air Flow (CMH)	Air Pressure (mmH ₂ O)	Air Pressure (Inch H ₂ O)	Noise (dBA)
SDC225092BE2HL	◎	220(200~277)	50/60	130	3000	882	1500	68.83	2.71	69.0

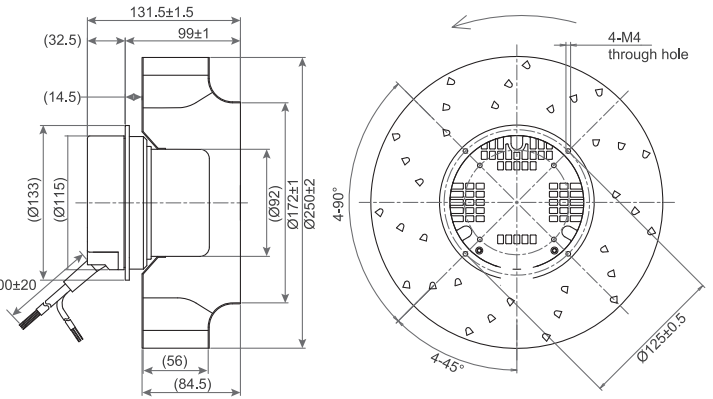
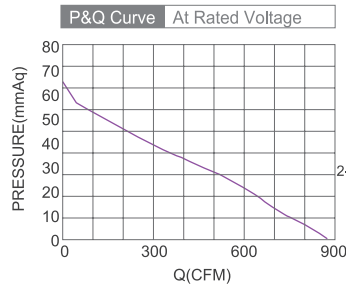


EC Centrifugal Fan SDC25092 AF SERIES Ø250X92mm



- Frame : Aluminum
外框材質：鋁
- Impeller : Thermoplastic PBT UL94-V0
扇葉材質：環保防火PBT
- Bearing System : Two Ball Bearing
軸承結構：滾珠軸承
- Unit Weight : 2000g
風扇單體重量：2000克

DIMENSIONS DRAWING UNIT : mm



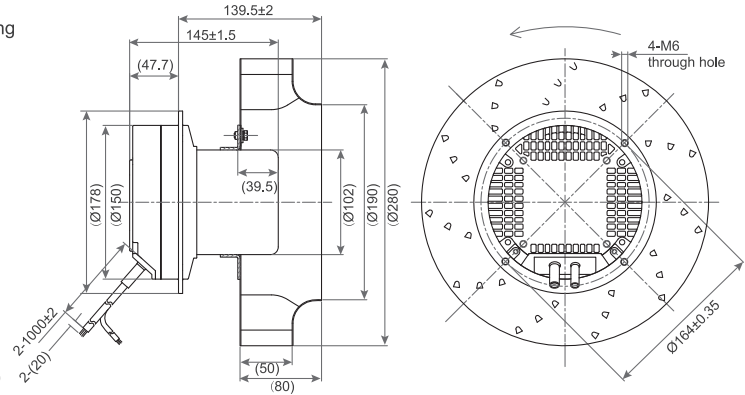
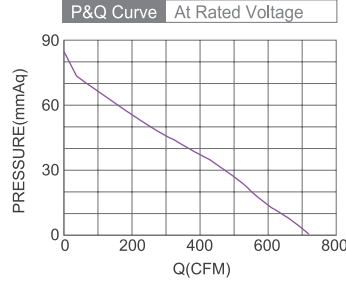
Model No.	Bearing Type	Voltage (VAC)	Frequency (Hz)	Power (W)	Speed (RPM)	Air Flow (CFM)	Air Flow (CMH)	Air Pressure (mmH ₂ O)	Air Pressure (Inch H ₂ O)	Noise (dBA)
SDC25092BE2HL	◎	220(200~277)	50/60	145.0	2700	876.1	1490.0	72.9	2.87	79.0



EC Centrifugal Fan SDC28092 AF SERIES Ø280X92mm

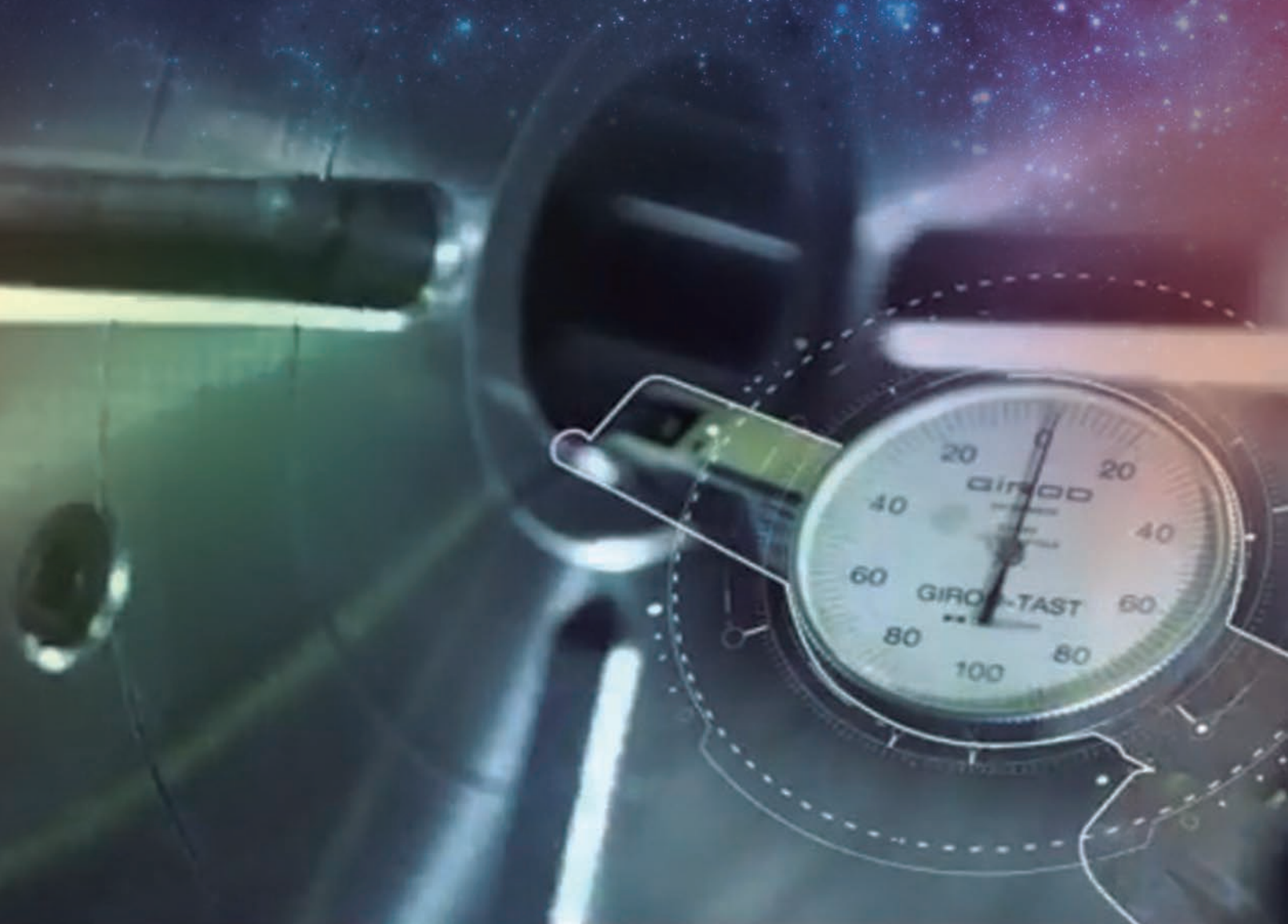
DIMENSIONS DRAWING UNIT : mm

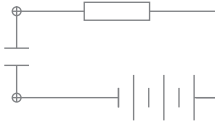
- Frame : Aluminum
外框材質：鋁
- Impeller : Thermoplastic PBT UL94-V0
扇葉材質：環保防火PBT
- Bearing System : Two Ball Bearing
軸承結構：滾珠軸承
- Unit Weight : 2000g
風扇單體重量：2000克



Model No.	Bearing Type	Voltage (VAC)	Frequency (Hz)	Power (W)	Speed (RPM)	Air Flow (CFM)	Air Flow (CMH)	Air Pressure (mmH ₂ O)	Air Pressure (Inch H ₂ O)	Noise (dBA)
SDC28092BE2ML	◎	220(200~277)	50/60	370.0	2680	1487	2530	72.91	2.87	72.0
SDC28092BE2HL	◎	220(200~277)	50/60	460.0	2750	1764	3000	74.95	2.95	75.0

EC BLOWER FAN

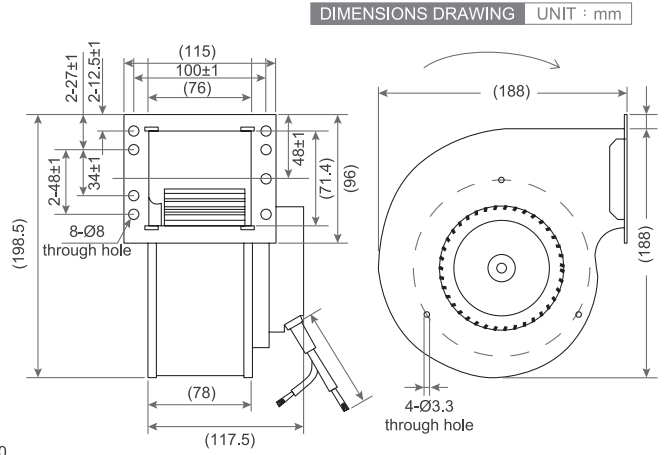
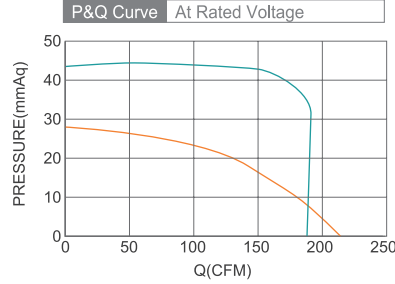




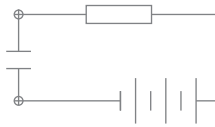
EC Blower SF12072 AF SERIES 188X188X78mm



- Impeller : PA66
材質：塑料PA66
- Bearing System : Two Ball Bearing
軸承結構：滾珠軸承
- Protection Class : IP44
防護等級：IP44



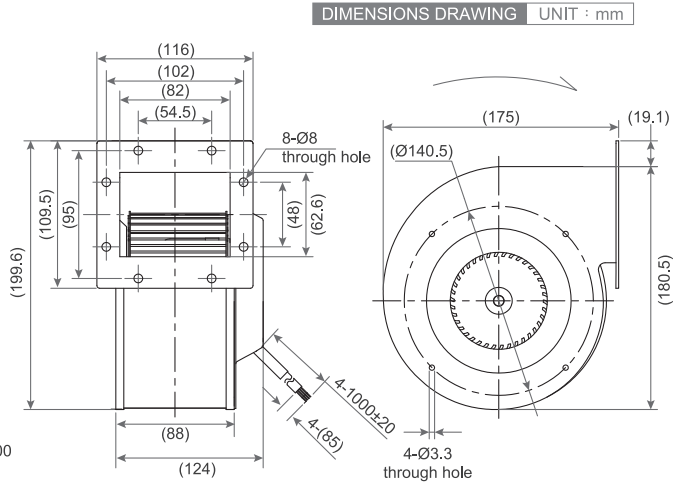
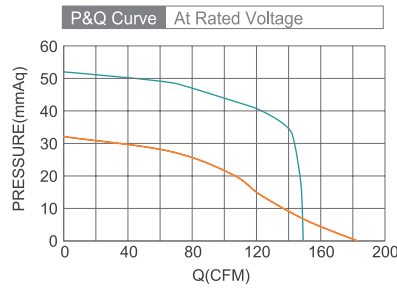
Model No.	Bearing Type	Voltage (VAC)	Frequency (HZ)	Current (A)	Power (W)	Speed (RPM)	Air Flow (CFM)	Air Flow (CMH)	Air Pressure (mmH ₂ O)	Air Pressure (Inch H ₂ O)	Noise (dBA)
SF12072BE2ML	◎	220	50 / 60	0.1	10.0	1200	175	297.2	44.87	1.87	44.0
SF12072BE2HL	◎	220	50 / 60	0.5	70.0	2400	205	348.1	27.18	1.07	71.0



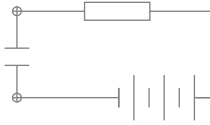
EC Blower SF13372 AF SERIES 175X181X88mm



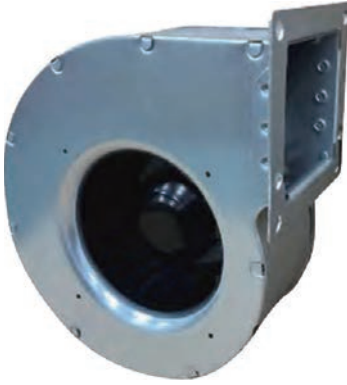
- Impeller : PA66
材質：塑料PA66
- Bearing System : Two Ball Bearing
軸承結構：滾珠軸承
- Protection Class : IP44
防護等級：IP44



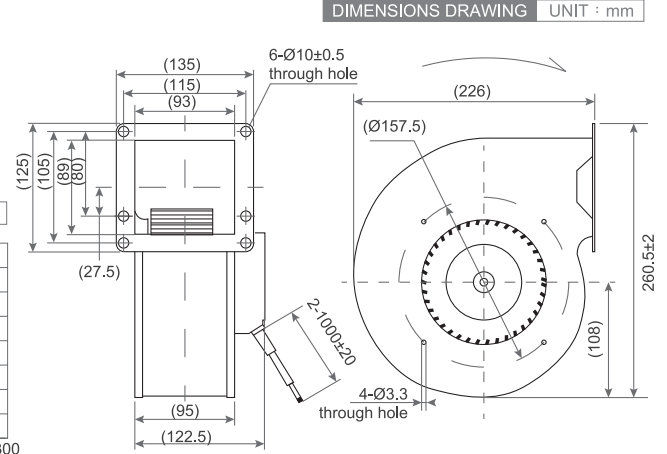
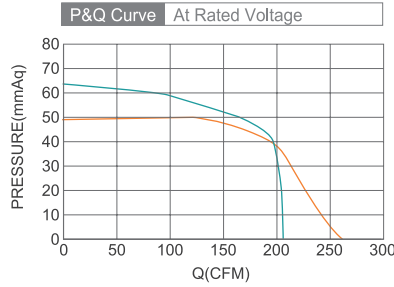
Model No.	Bearing Type	Voltage (VAC)	Frequency (Hz)	Power (W)	Speed (RPM)	Air Flow (CFM)	Air Flow (CMH)	Air Pressure (mmH ₂ O)	Air Pressure (Inch H ₂ O)	Noise (dBA)
SF13372BE2ML	◎	220	50/60	30.0	1740	150.0	255.0	50.99	2.01	56.0
SF13372BE2HL	◎	220	50/60	65.0	2100	182.3	310.0	31.60	1.25	64.0



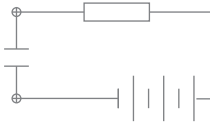
EC Blower SF14072 AF SERIES 226X261X95mm



- Impeller : PA66
材質：塑料PA66
- Bearing System : Two Ball Bearing
軸承結構：滾珠軸承
- Protection Class : IP44
防護等級：IP44



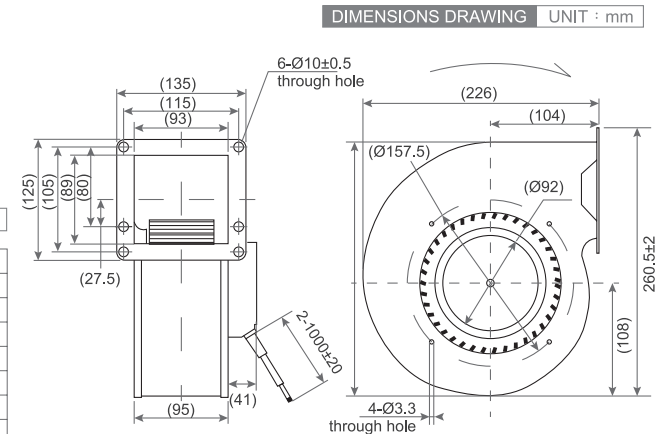
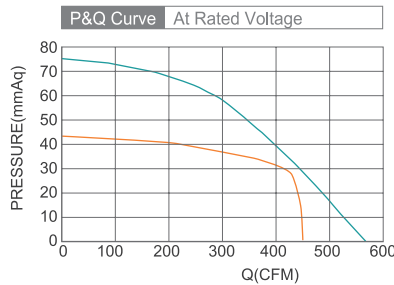
Model No.	Bearing Type	Voltage (VAC)	Frequency (HZ)	Power (W)	Speed (RPM)	Air Flow (CFM)	Air Flow (CMH)	Air Pressure (mmH ₂ O)	Air Pressure (Inch H ₂ O)	Noise (dBA)
SF14072BE2ML	◎	220	50/60	35	1400	207.1	351.5	63.5	2.50	56.0
SF14072BE2HL	◎	220	50/60	80	1800	259.8	441.5	49.8	1.96	62.0



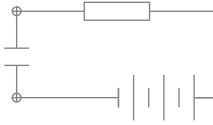
EC Blower SF15092 SERIES 226X261X95mm



- Material : Galvanized sheet steel
材質：鍍鋅板材
- Bearing System : Two Ball Bearing
軸承結構：滾珠軸承
- Protection Class : IP44
防護等級：IP44

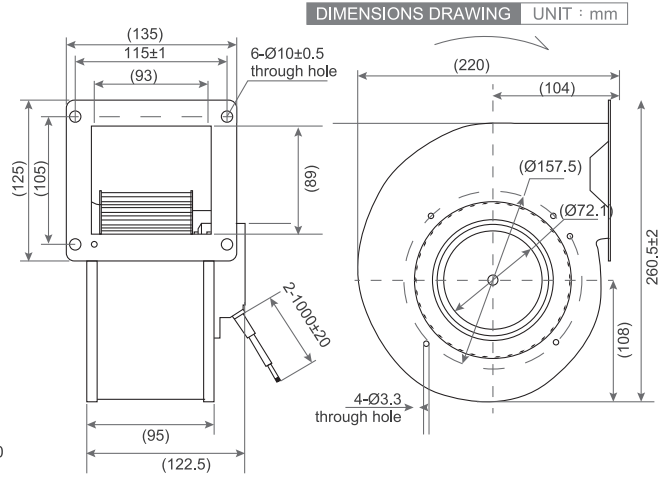
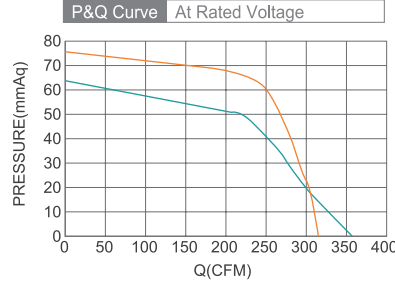


Model No.	Bearing Type	Voltage (VAC)	Frequency (Hz)	Power (W)	Speed (RPM)	Air Flow (CFM)	Air Flow (CMH)	Air Pressure (mmH ₂ O)	Air Pressure (Inch H ₂ O)	Noise (dBA)
SF15092BE2ML	◎	220	50/60	150.0	2150	450.0	761.4	43.18	1.71	67.0
SF15092BE2HL	◎	220	50/60	150.0	2550	574.0	974.7	75.44	2.97	69.0

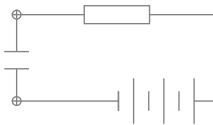


EC Blower SF16092 AF SERIES 220X244X95mm

- Impeller : PA66
材質 : 塑料PA66
- Bearing System : Two Ball Bearing
軸承結構 : 滾珠軸承
- Protection Class : IP44
防護等級 : IP44

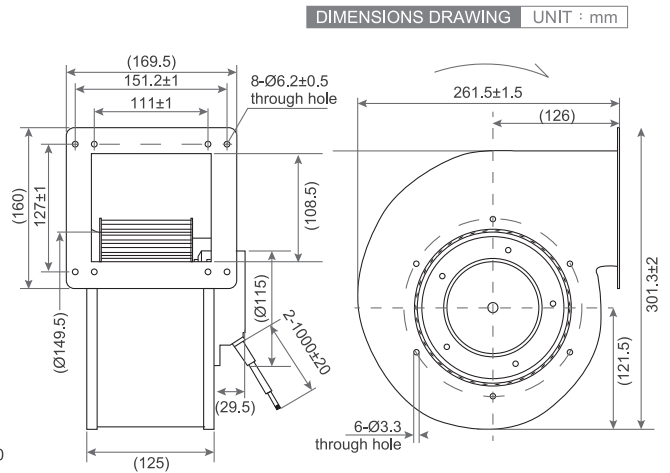
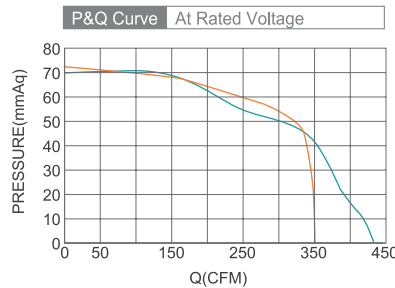


Model No.	Bearing Type	Voltage (VAC)	Frequency (HZ)	Power (W)	Speed (RPM)	Air Flow (CFM)	Air Flow (CMH)	Air Pressure (mmH ₂ O)	Air Pressure (Inch H ₂ O)	Noise (dBA)
SF16092BE2ML	◎	220	50 / 60	110	1900	317.5	540.0	76.5	3.1	67.0
SF16092BE2HL	◎	220	50 / 60	150	2150	352.8	600.0	63.7	2.5	69.0

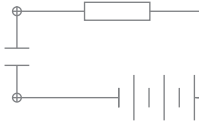


EC Blower SF18092 AF SERIES 180X180X92mm

- Impeller : PA66
材質 : 塑料PA66
- Bearing System : Two Ball Bearing
軸承結構 : 滾珠軸承
- Protection Class : IP44
防護等級 : IP44



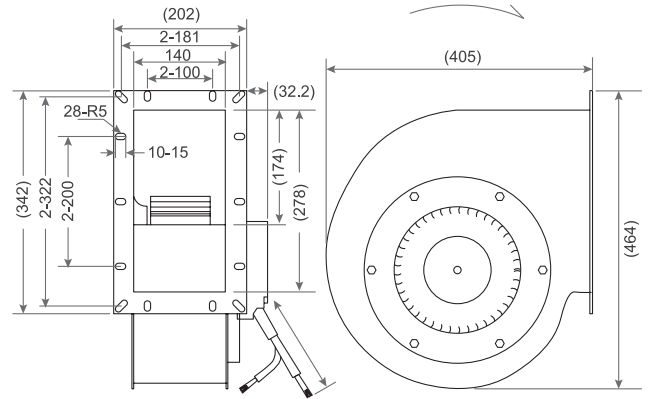
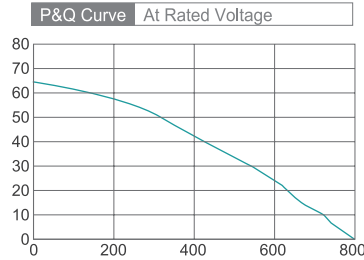
Model No.	Bearing Type	Voltage (VAC)	Frequency (Hz)	Power (W)	Speed (RPM)	Air Flow (CFM)	Air Flow (CMH)	Air Pressure (mmH ₂ O)	Air Pressure (Inch H ₂ O)	Noise (dBA)
SF18092BE2ML	◎	220	50/60	70.0	1200	353.4	601.0	72.91	2.87	63.0
SF18092BE2HL	◎	220	50/60	180.0	1600	438.0	743.7	69.85	2.75	65.0



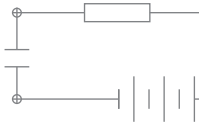
EC Blower SF225102 AF SERIES 405X464X140mm

- Material : Galvanized sheet steel
材質：鍍鋅板材
- Bearing System : Two Ball Bearing
軸承結構：滾珠軸承
- Protection Class : IP44
防護等級：IP44

DIMENSIONS DRAWING UNIT : mm

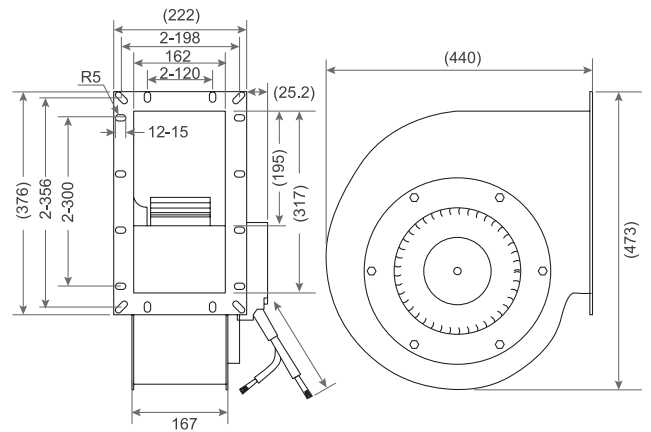
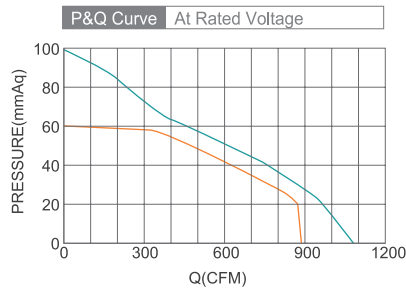


Model No.	Bearing Type	Voltage (VAC)	Frequency (HZ)	Power (W)	Speed (RPM)	Air Flow (CFM)	Air Pressure (CMH)	Air Pressure (mmH ₂ O)	Air Pressure (Inch H ₂ O)	Noise (dBA)
SF225102BE2ML	◎	220	50 / 60	230	1090	800	1358.4	64.77	2.55	55.0



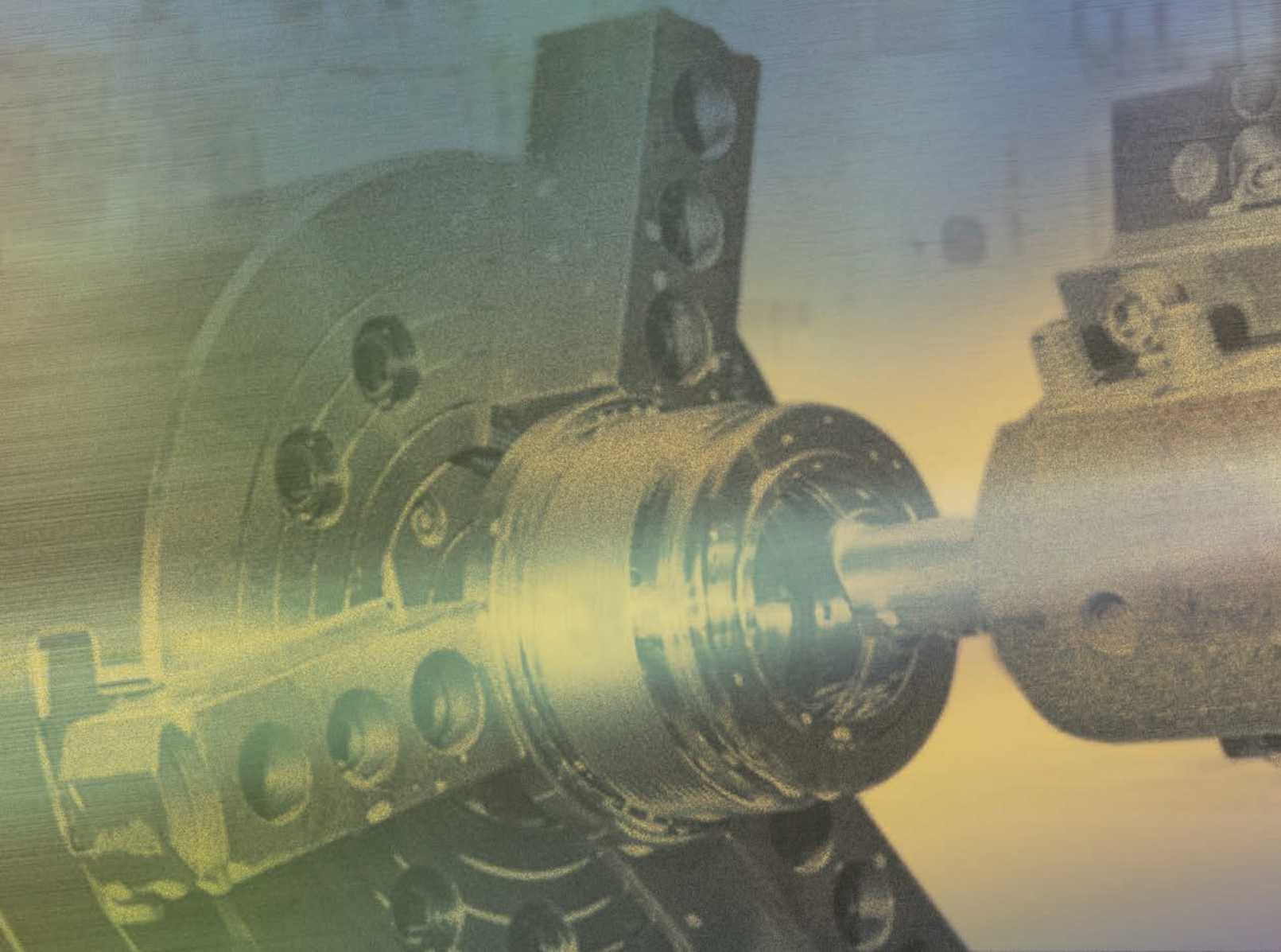
EC Blower SF250102 AF SERIES 440X473X162mm

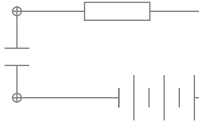
- Material : Galvanized sheet steel
材質：鍍鋅板材
- Bearing System : Two Ball Bearing
軸承結構：滾珠軸承
- Protection Class : IP44
防護等級：IP44



Model No.	Bearing Type	Voltage (VAC)	Frequency (Hz)	Power (W)	Speed (RPM)	Air Flow (CFM)	Air Pressure (CMH)	Air Pressure (mmH ₂ O)	Air Pressure (Inch H ₂ O)	Noise (dBA)
SF250102BE2ML	◎	220	50 / 60	230	840	882.0	1500	58.4	2.31	50.0
SF250102BE2HL	◎	220	50 / 60	330	950	1117.2	1900	99.9	3.97	69.0

EC Outer Rotor

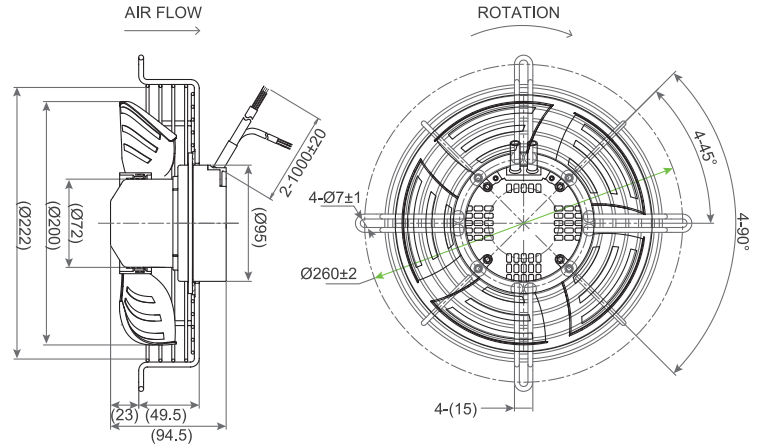
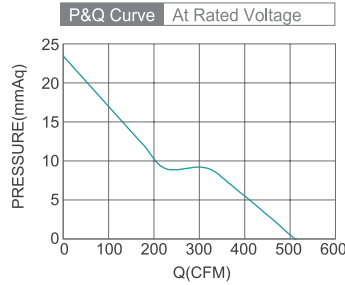




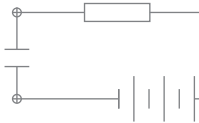
EC Outer Rotor Fan SA20072 AF SERIES Ø200X94.5mm

- Impeller : Cold rolled steel
材質：冷軋鋼板
- Bearing System : Two Ball Bearing
軸承結構：滾珠軸承
- Protection Class : IP44
防護等級：IP44

DIMENSIONS DRAWING UNIT : mm



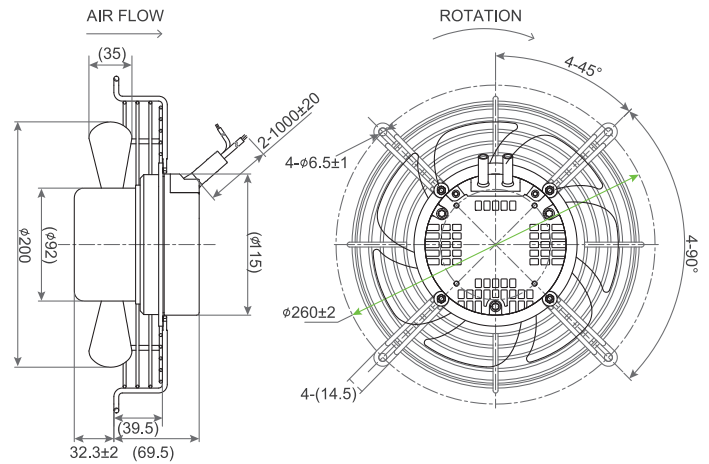
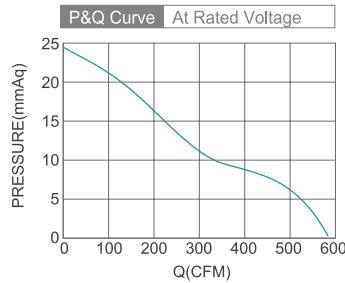
Model No.	Bearing Type	Voltage (VAC)	Frequency (Hz)	Current (A)	Power (W)	Speed (RPM)	Air Flow (CFM)	Air Flow (m³/min)	Air Pressure (mmH ₂ O)	Air Pressure (Inch H ₂ O)	Noise (dBA)
SA20072BE2HL	◎	220 (200~277)	50 / 60	0.6	80	2600	511.6	14.53	23.86	0.94	54.0



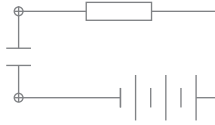
EC Outer Rotor Fan SA20092 AF SERIES Ø200X101.8mm

- Impeller : Cold rolled steel
材質：冷軋鋼板
- Bearing System : Two Ball Bearing
軸承結構：滾珠軸承
- Protection Class : IP44
防護等級：IP44

DIMENSIONS DRAWING UNIT : mm

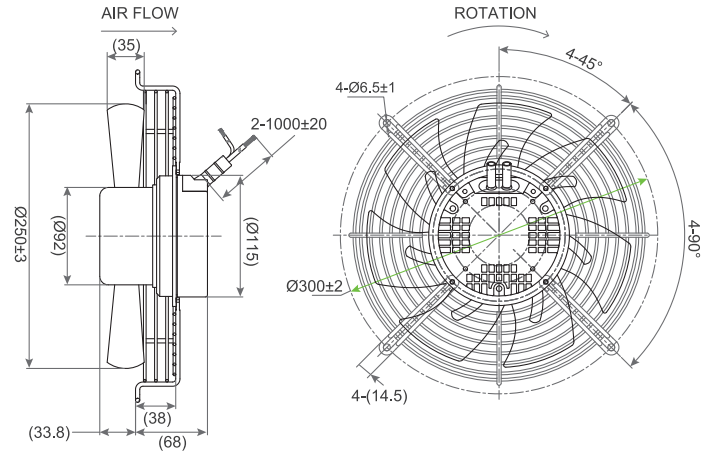
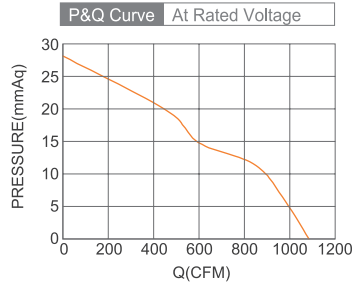


Model No.	Bearing Type	Voltage (VAC)	Frequency (Hz)	Current (A)	Power (W)	Speed (RPM)	Air Flow (CFM)	Air Flow (m³/min)	Air Pressure (mmH ₂ O)	Air Pressure (Inch H ₂ O)	Noise (dBA)
SA20072BE2HL	◎	220 (200~277)	50 / 60	0.7	80	800	588.0	16.7	24.47	0.96	60.0



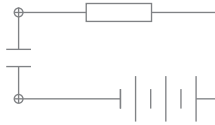
EC Outer Rotor Fan SA25092 AF SERIES Ø250X101.8mm

- Impeller : Cold rolled steel
材質：冷軋鋼板
- Bearing System : Two Ball Bearing
軸承結構：滾珠軸承
- Protection Class : IP44
防護等級：IP44



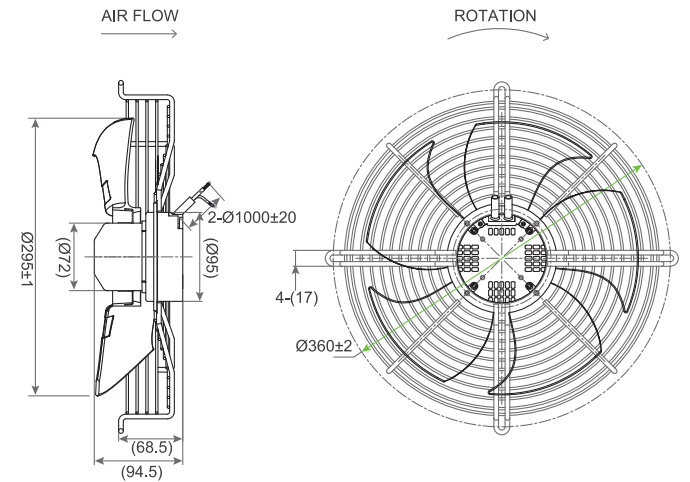
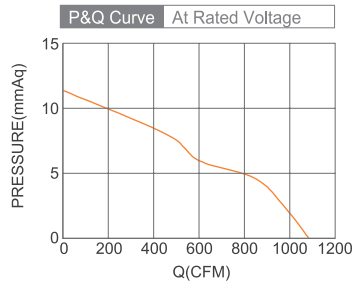
DIMENSIONS DRAWING UNIT : mm

Model No.	Bearing Type	Voltage (VAC)	Frequency (Hz)	Current (A)	Power (W)	Speed (RPM)	Air Flow (CFM)	Air Flow (m ³ /min)	Air Pressure (mmH ₂ O)	Air Pressure (Inch H ₂ O)	Noise (dBA)
SA25092BE2HL	◎	220 (200~277)	50 / 60	1.1	170	3150	1087.8	30.90	27.53	1.08	69.0



EC Outer Rotor Fan SA30072 AF SERIES Ø300X94.5mm

- Impeller : Cold rolled steel
材質：冷軋鋼板
- Bearing System : Two Ball Bearing
軸承結構：滾珠軸承
- Protection Class : IP44
防護等級：IP44



DIMENSIONS DRAWING UNIT : mm

Model No.	Bearing Type	Voltage (VAC)	Frequency (Hz)	Current (A)	Power (W)	Speed (RPM)	Air Flow (CFM)	Air Flow (m ³ /min)	Air Pressure (mmH ₂ O)	Air Pressure (Inch H ₂ O)	Noise (dBA)
SA30072BE2HL	◎	220 (200~277)	50 / 60	0.4	60	1400	1087.8	30.90	11.83	0.47	63.0

★如果您需要的轉速或電壓或功能不在這份清單上，請與我們業務聯繫 If you need another RPM or Voltage or Functions which one is not in the list, please contact us.

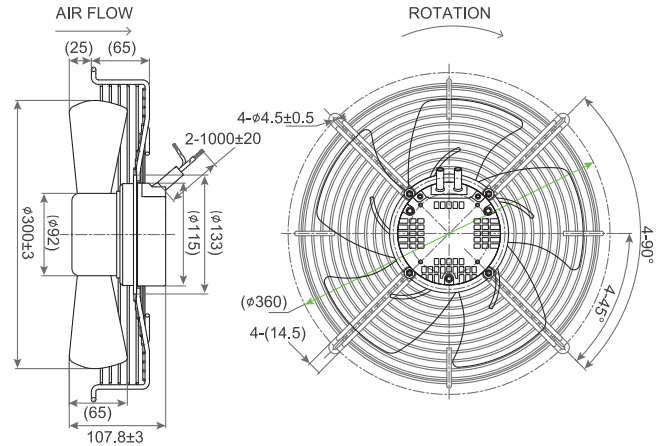
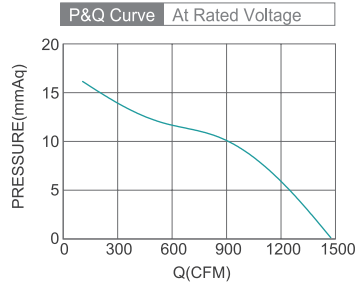
★產品詳細數據及功能請參閱承認書 Please see the approval sheet for more information . ★產品規格變更不另行通知 Specifications are subject to change without notice.



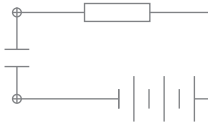
EC Outer Rotor Fan SA30092 AF SERIES Ø300X107.8mm

- Impeller : Cold rolled steel
材質：冷軋鋼板
- Bearing System : Two Ball Bearing
軸承結構：滾珠軸承
- Protection Class : IP44
防護等級：IP44

DIMENSIONS DRAWING UNIT : mm



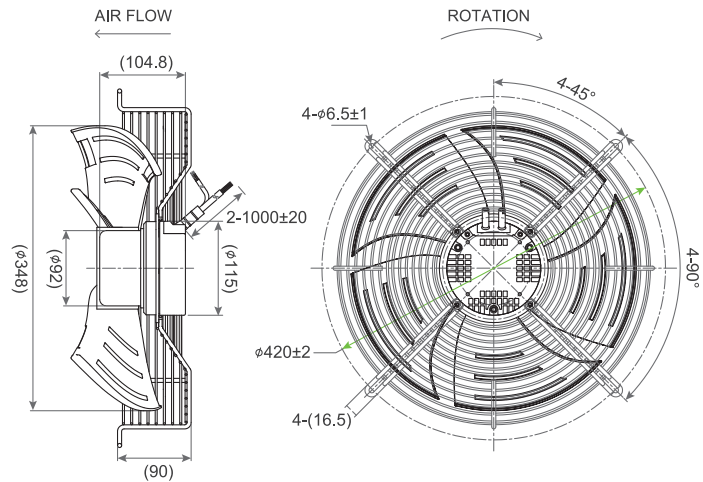
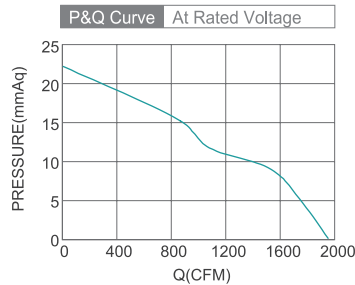
Model No.	Bearing Type	Voltage (VAC)	Frequency (Hz)	Current (A)	Power (W)	Speed (RPM)	Air Flow (CFM)	Air Flow (m ³ /min)	Air Pressure (mmH ₂ O)	Air Pressure (Inch H ₂ O)	Noise (dBA)
SA30092BE2HL	◎	220 (200~277)	50 / 60	1.1	160	1900	1434.72	40.75	16.32	0.64	64.0



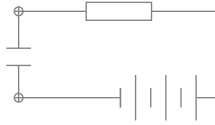
EC Outer Rotor Fan SA35092 AF SERIES Ø350X104.8mm

- Impeller : Cold rolled steel
材質：冷軋鋼板
- Bearing System : Two Ball Bearing
軸承結構：滾珠軸承
- Protection Class : IP44
防護等級：IP44

DIMENSIONS DRAWING UNIT : mm

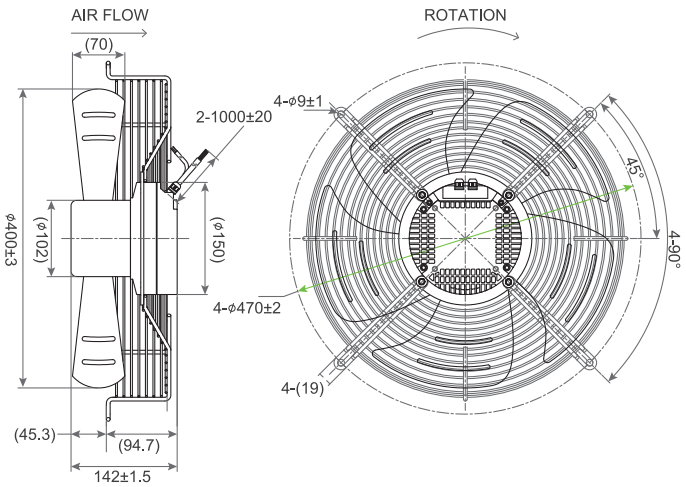
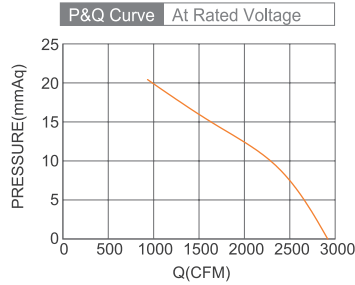


Model No.	Bearing Type	Voltage (VAC)	Frequency (Hz)	Current (A)	Power (W)	Speed (RPM)	Air Flow (CFM)	Air Flow (m ³ /min)	Air Pressure (mmH ₂ O)	Air Pressure (Inch H ₂ O)	Noise (dBA)
SA35092BE2HL	◎	220 (200~277)	50 / 60	1.13	165	1550	1940.4	55.11	22.43	0.88	67.0



EC Outer Rotor Fan SA400102 AF SERIES Ø400X142mm

- Impeller : Cold rolled steel
材質：冷軋鋼板
- Bearing System : Two Ball Bearing
軸承結構：滾珠軸承
- Protection Class : IP44
防護等級：IP44

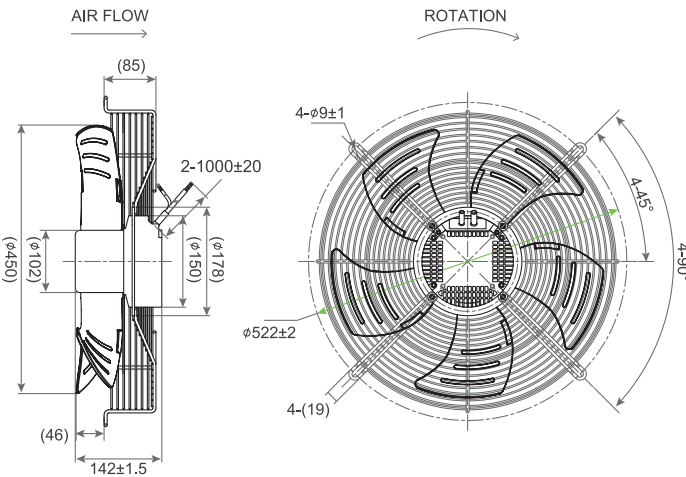
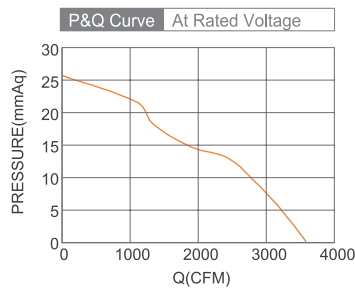


Model No.	Bearing Type	Voltage (VAC)	Frequency (Hz)	Current (A)	Power (W)	Speed (RPM)	Air Flow (CFM)	Air Pressure (mmH ₂ O)	Air Pressure (Inch H ₂ O)	Noise (dBA)	
SA400102BE2HL	◎	220 (200~277)	50 / 60	1.8	400	1600	2834.2	80.50	20.29	0.80	69.0



EC Outer Rotor Fan SA450102 AF SERIES Ø450X142mm

- Impeller : Cold rolled steel
材質：冷軋鋼板
- Bearing System : Two Ball Bearing
軸承結構：滾珠軸承
- Protection Class : IP44
防護等級：IP44



Model No.	Bearing Type	Voltage (VAC)	Frequency (Hz)	Current (A)	Power (W)	Speed (RPM)	Air Flow (CFM)	Air Pressure (mmH ₂ O)	Air Pressure (Inch H ₂ O)	Noise (dBA)	
SA450102BE2HL	◎	220 (200~277)	50 / 60	1.8	400	1700	3575.0	101.54	26.51	1.04	70.0

★如果您需要的轉速或電壓或功能不在這份清單上，請與我們業務聯繫 If you need another RPM or Voltage or Functions which one is not in the list, please contact us.

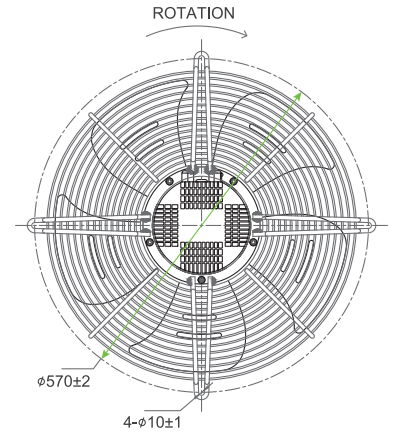
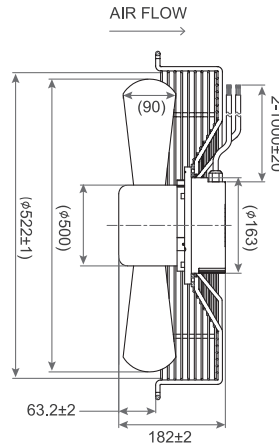
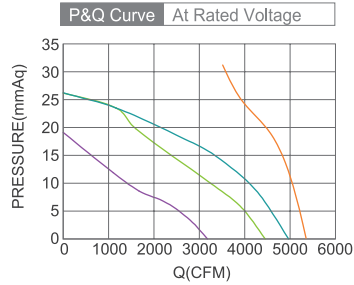
★產品詳細數據及功能請參閱承認書 Please see the approval sheet for more information . ★產品規格變更不另行通知 Specifications are subject to change without notice.



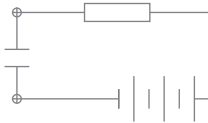
EC Outer Rotor Fan SA500137 AF SERIES Ø500X182mm

- Impeller : Cold rolled steel
材質：冷軋鋼板
- Bearing System : Two Ball Bearing
軸承結構：滾珠軸承
- Protection Class : IP44
防護等級：IP44

DIMENSIONS DRAWING UNIT : mm



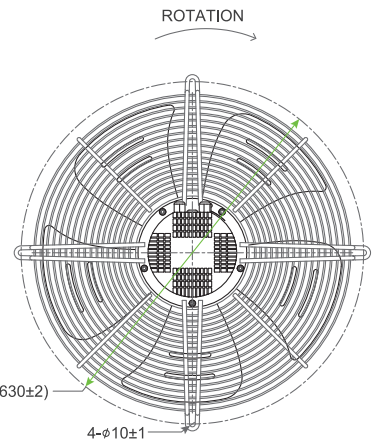
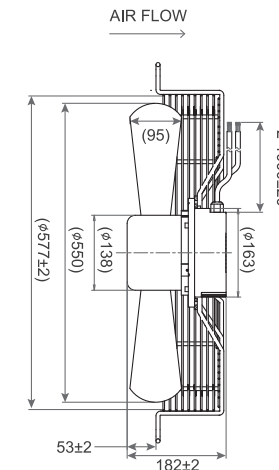
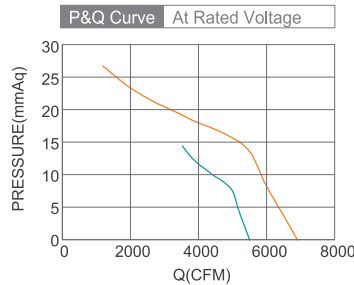
Model No.	Bearing Type	Voltage (VAC)	Frequency (Hz)	Current (A)	Power (W)	Speed (RPM)	Air Flow (CFM)	Air Pressure (m ³ /min)	Air Pressure (mmH ₂ O)	Air Pressure (Inch H ₂ O)	Noise (dBA)
SA500137BE2HL	◎	220 (200~277)	50 / 60	2.9	600	1450	4962.72	140.95	26.81	1.06	71.0
SA500137BE3HL	◎	380 (380~480)	50 / 60	1.5	850	1690	5938.80	168.67	31.61	1.25	78.0



EC Outer Rotor Fan SA550137 AF SERIES Ø550X182mm

- Impeller : Cold rolled steel
材質：冷軋鋼板
- Bearing System : Two Ball Bearing
軸承結構：滾珠軸承
- Protection Class : IP44
防護等級：IP44

DIMENSIONS DRAWING UNIT : mm



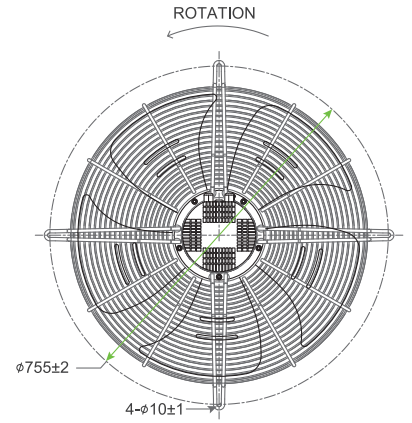
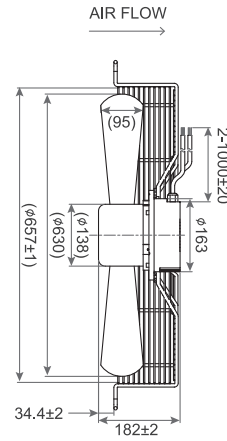
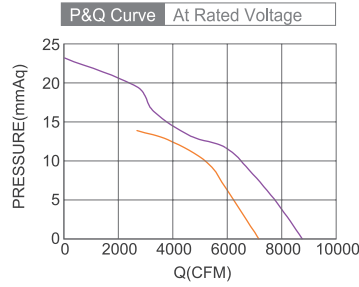
Model No.	Bearing Type	Voltage (VAC)	Frequency (Hz)	Current (A)	Power (W)	Speed (RPM)	Air Flow (CFM)	Air Pressure (m ³ /min)	Air Pressure (mmH ₂ O)	Air Pressure (Inch H ₂ O)	Noise (dBA)
SA550137BE2HL	◎	220 (200~277)	50 / 60	2.6	550	1250	5409.6	153.64	14.28	0.56	71.0
SA550137BE3HL	◎	380 (380~480)	50 / 60	1.7	950	1690	6938.4	197.06	27.02	1.06	78.0



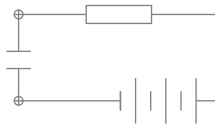
EC Outer Rotor Fan SA630137 AF SERIES Ø630X185mm

- Impeller : Cold rolled steel
材質：冷軋鋼板
- Bearing System : Two Ball Bearing
軸承結構：滾珠軸承
- Protection Class : IP44
防護等級：IP44

DIMENSIONS DRAWING UNIT : mm



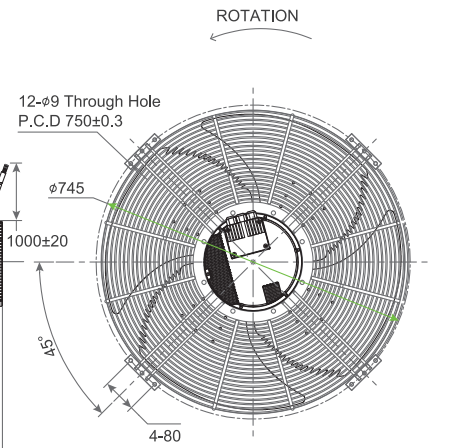
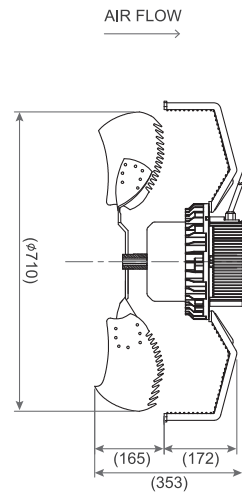
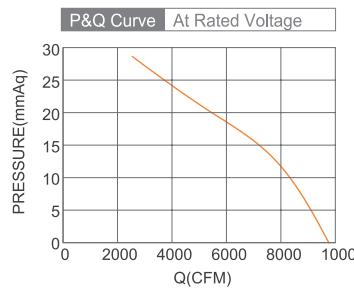
Model No.	Bearing Type	Voltage (VAC)	Frequency (Hz)	Current (A)	Power (W)	Speed (RPM)	Air Flow (CFM)	Air Flow (m³/min)	Air Pressure (mmH₂O)	Air Pressure (Inch H₂O)	Noise (dBA)
SA630137BE2HL	◎	220 (200~277)	50 / 60	2.8	600	1100	7114.8	202.07	13.46	0.53	68.0
SA630137BE3HL	◎	380 (380~480)	50 / 60	1.3	780	1250	8526.0	242.15	23.45	0.92	69.0



EC Outer Rotor Fan SA710188 AF SERIES Ø710X353mm

- Impeller : Cold rolled steel
材質：冷軋鋼板
- Bearing System : Two Ball Bearing
軸承結構：滾珠軸承
- Protection Class : IP44
防護等級：IP44

DIMENSIONS DRAWING UNIT : mm



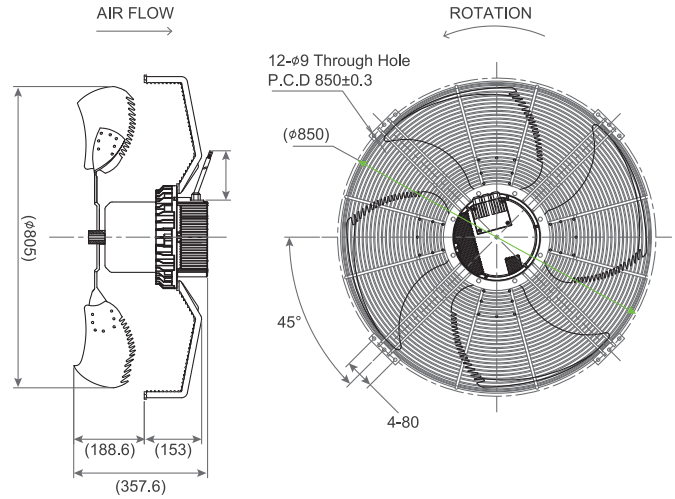
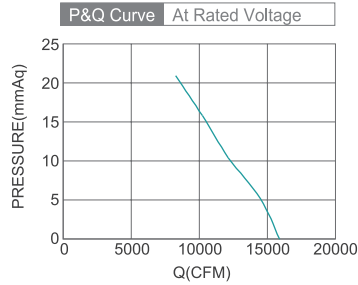
Model No.	Bearing Type	Voltage (VAC)	Frequency (Hz)	Current (A)	Power (W)	Speed (RPM)	Air Flow (CFM)	Air Flow (m³/min)	Air Pressure (mmH₂O)	Air Pressure (Inch H₂O)	Noise (dBA)
SA710188BE2HL	◎	380 (380~480)	50 / 60	2.2	1280	1300	9702.0	275.55	28.56	1.12	77.0



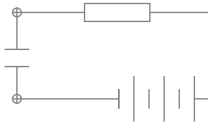
EC Outer Rotor Fan SA800188 AF SERIES Ø800X357.6mm

- Impeller : Cold rolled steel
材質：冷軋鋼板
- Bearing System : Two Ball Bearing
軸承結構：滾珠軸承
- Protection Class : IP44
防護等級：IP44

DIMENSIONS DRAWING UNIT : mm



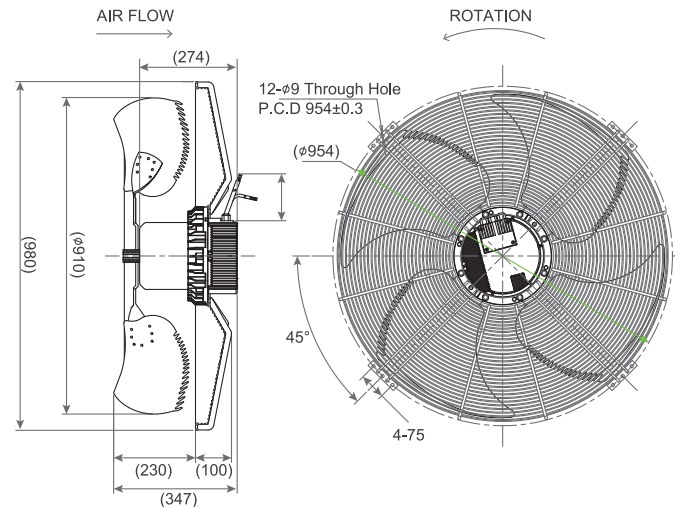
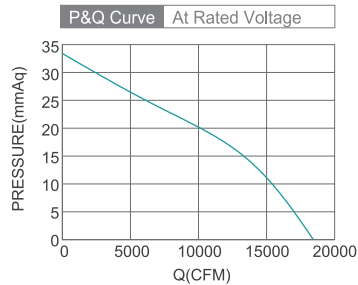
Model No.	Bearing Type	Voltage (VAC)	Frequency (Hz)	Current (A)	Power (W)	Speed (RPM)	Air Flow (CFM)	Air Flow (m³/min)	Air Pressure (mmH ₂ O)	Air Pressure (Inch H ₂ O)	Noise (dBA)
SA800188BE2HL	◎	380 (380~480)	50 / 60	3.0	1900	1100	15876	450.9	21.1	0.83	74.0



EC Outer Rotor Fan SA910188 AF SERIES Ø910X347mm

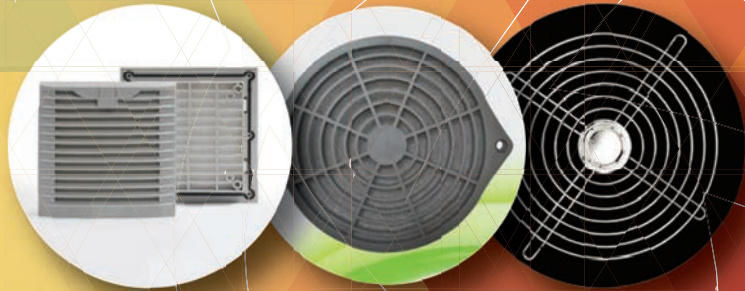
- Impeller : Cold rolled steel
材質：冷軋鋼板
- Bearing System : Two Ball Bearing
軸承結構：滾珠軸承
- Protection Class : IP44
防護等級：IP44

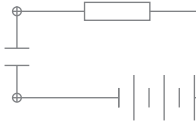
DIMENSIONS DRAWING UNIT : mm



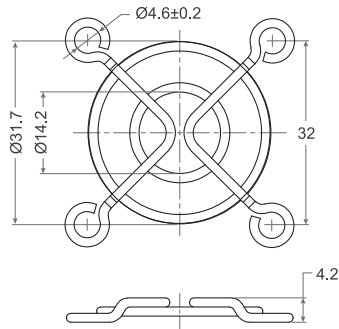
Model No.	Bearing Type	Voltage (VAC)	Frequency (Hz)	Current (A)	Power (W)	Speed (RPM)	Air Flow (CFM)	Air Flow (m³/min)	Air Pressure (mmH ₂ O)	Air Pressure (Inch H ₂ O)	Noise (dBA)
SA910188BE2HL	◎	380 (380~480)	50 / 60	3.0	1800	1000	18086.88	513.70	33.65	1.33	77.0

Accessories

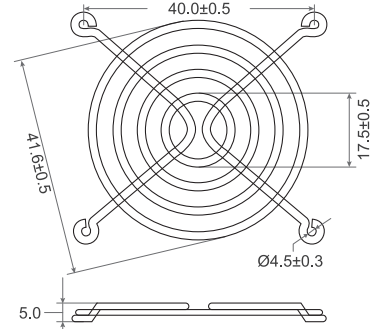
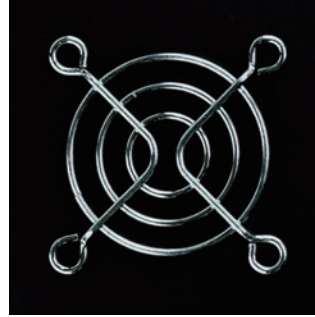




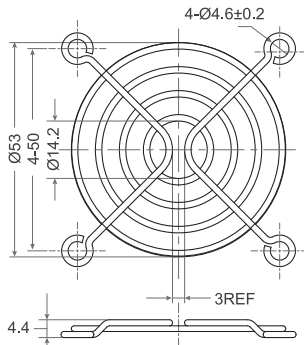
4 G04B2-4HA-R(S)
cm FAN



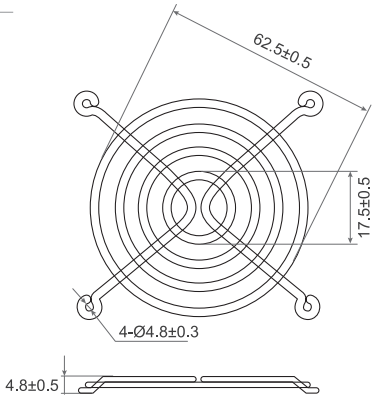
5 G05B3-4HA-R(S)
cm FAN



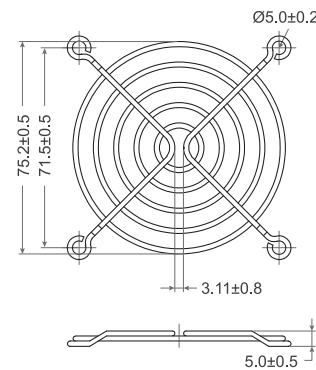
6 G06B4-4HA-R(S)
cm FAN



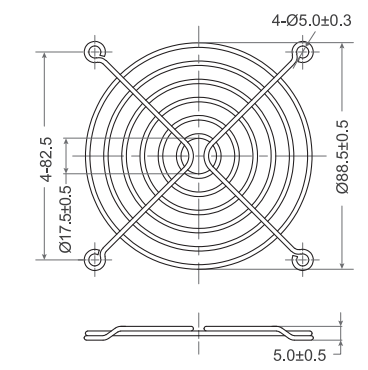
7 G07Q5-4HA-R(S)
cm FAN



8 G08A5-4HA-R(S)
cm FAN

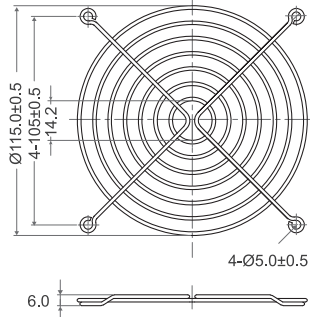


9 G09A6-4HA-R(S)
cm FAN

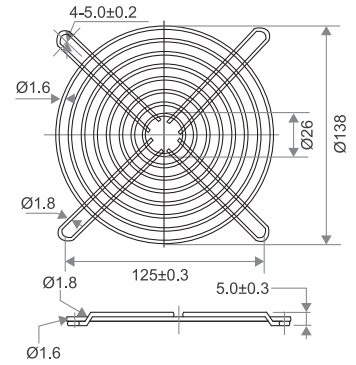
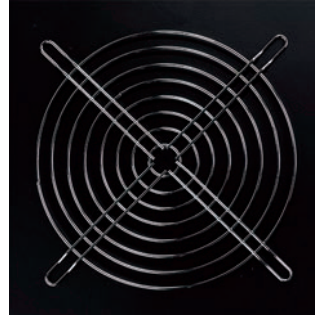




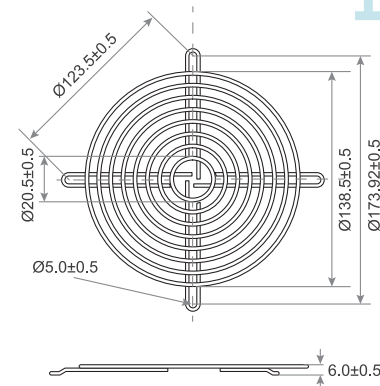
12 U12A7-4HA-R(S)
cm FAN



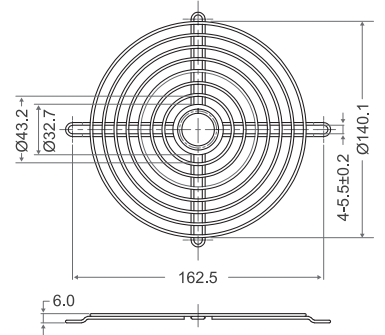
15 U14J8-4HA-R(S)
cm FAN



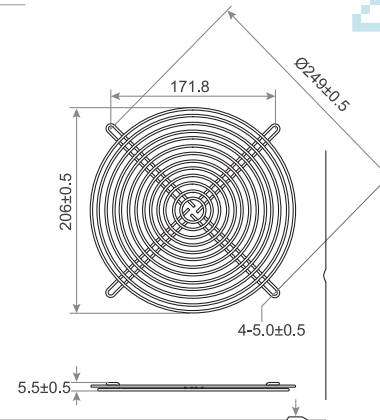
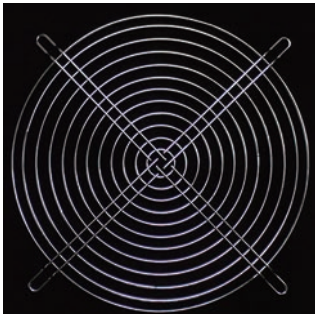
17 U17M8-2HT-R(S)
cm FAN



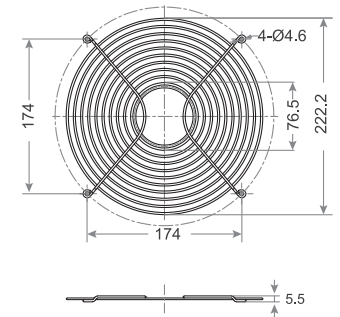
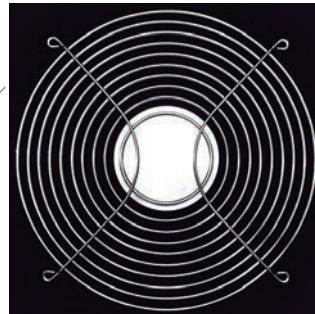
17 U17M7-2HT-R(S)
cm FAN

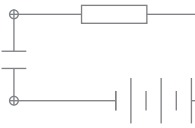


25 U25P13-4HA-R(S)
cm FAN



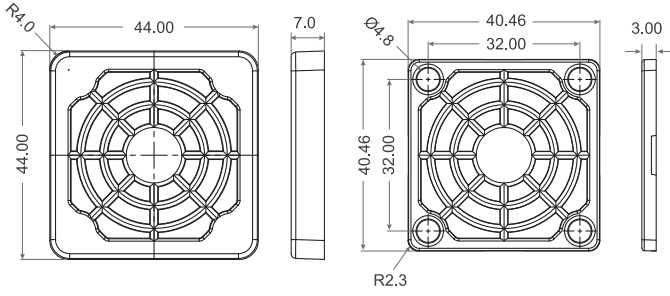
25 T25B9-4HA-R(S)
cm FAN



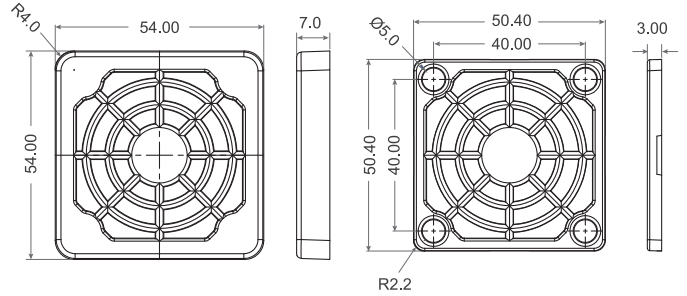


3 in 1 Plastic Filter Guard

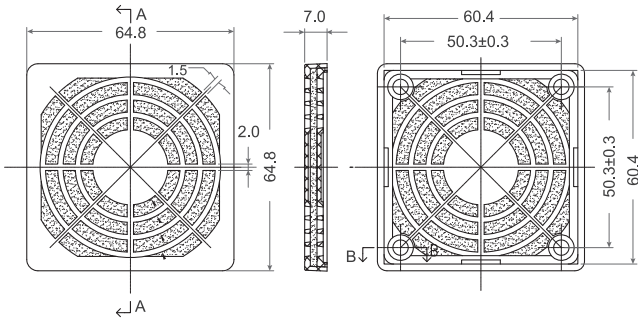
4 Y40
cm FAN



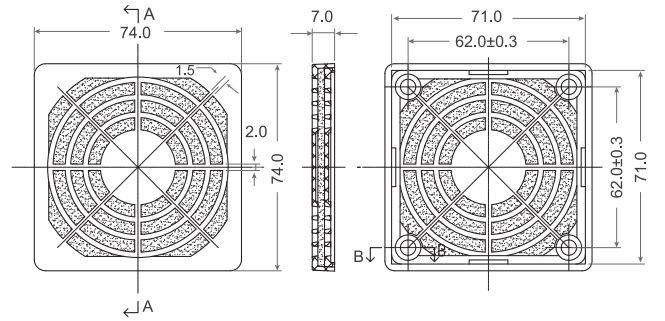
5 Y50
cm FAN



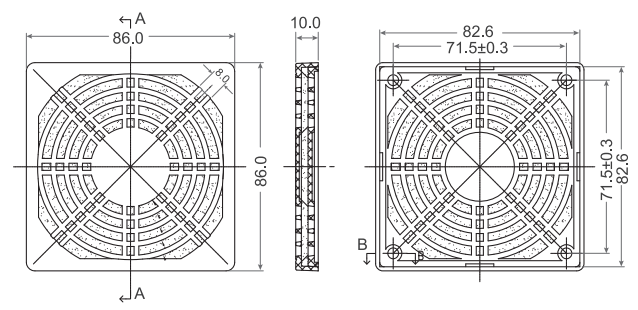
6 Y60
cm FAN



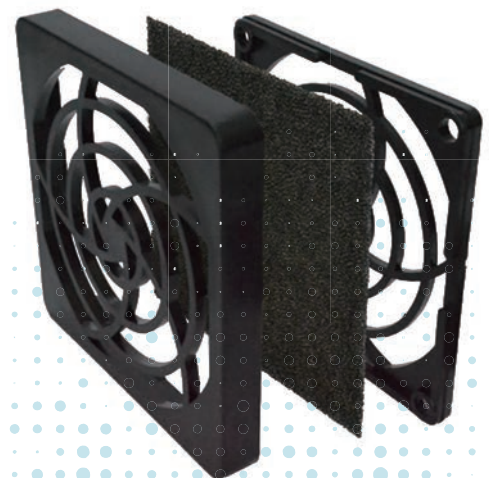
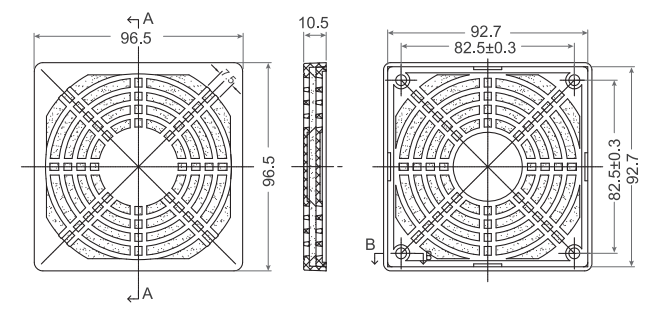
7 Y70
cm FAN



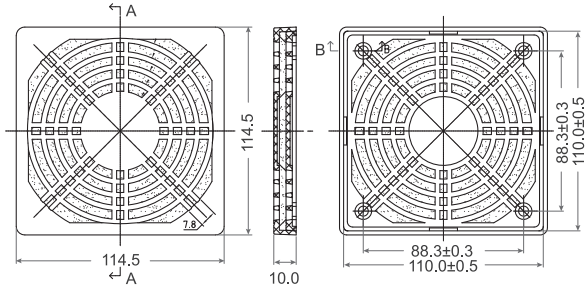
8 Y80
cm FAN



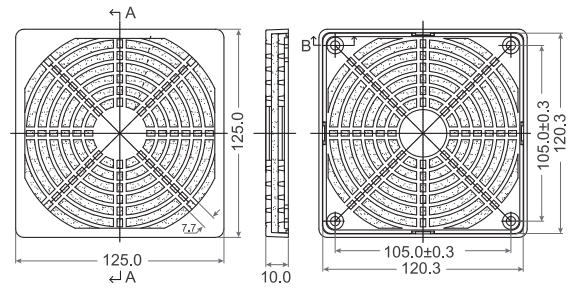
9 Y92
cm FAN



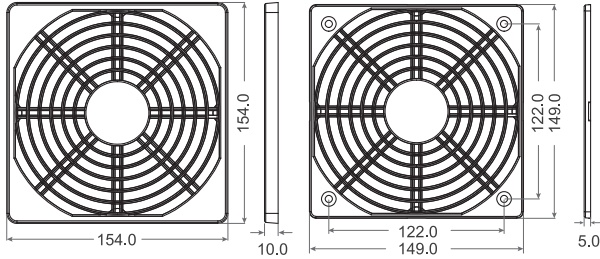
11 Y110
cm FAN



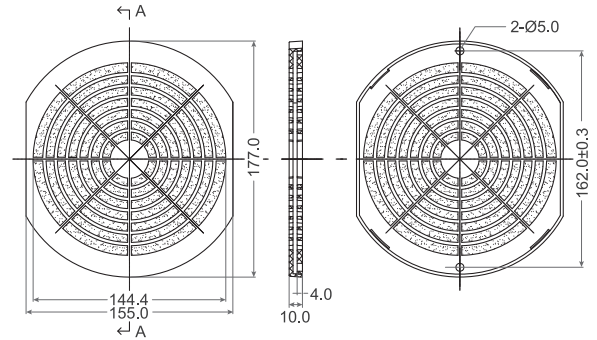
12 Y120
cm FAN



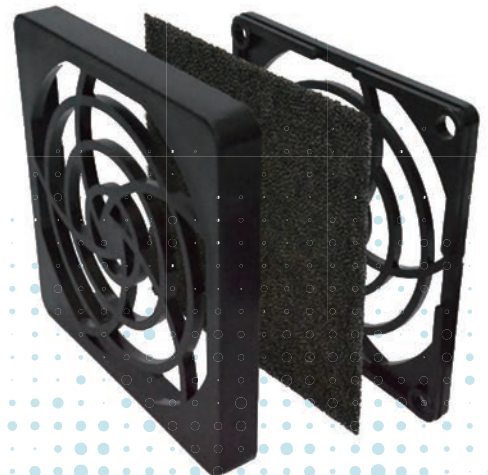
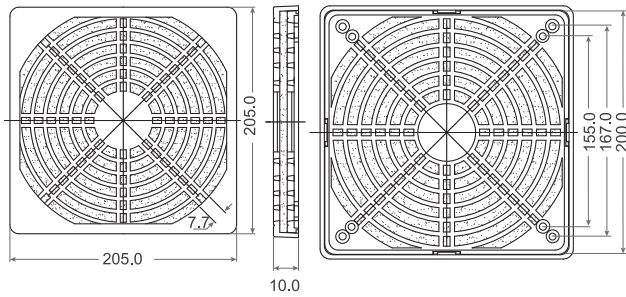
15 Y150
cm FAN

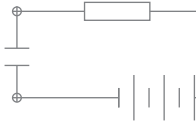


17 Y172
cm FAN



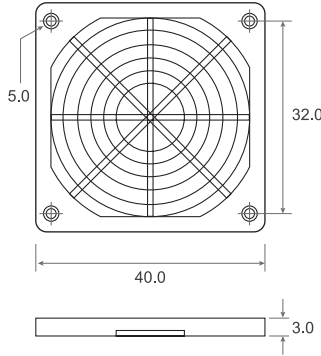
20 Y200
cm FAN



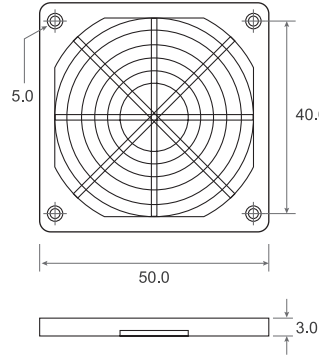


Single Plastic Filter Guard

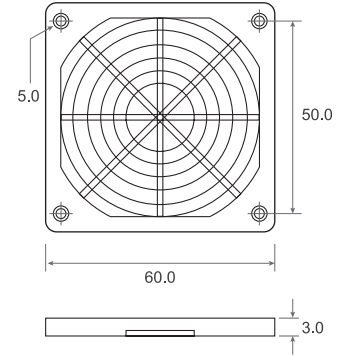
4 Y40D
cm FAN



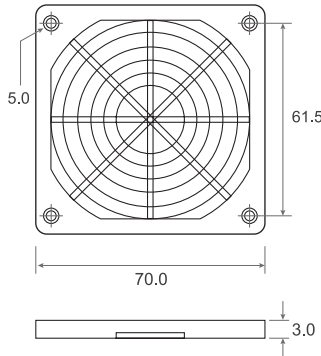
5 Y50D
cm FAN



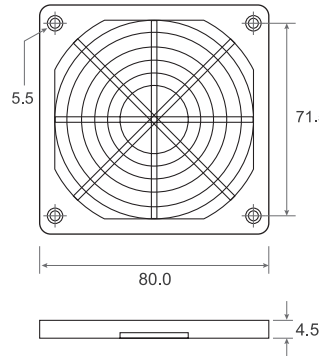
6 Y60D
cm FAN



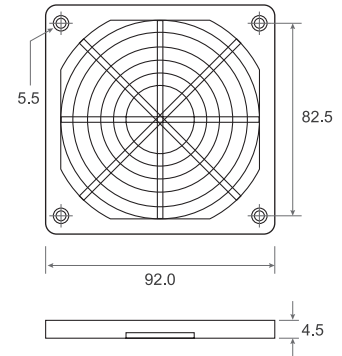
7 Y70D
cm FAN



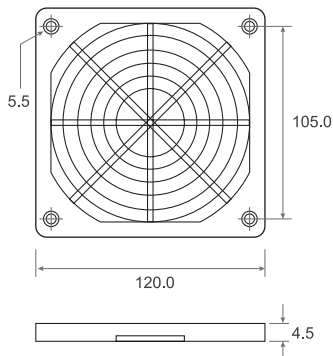
8 Y80D
cm FAN



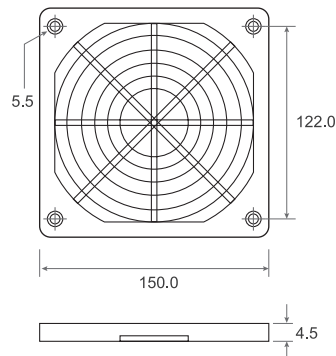
9 Y90D
cm FAN



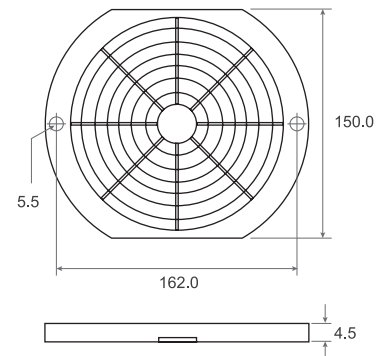
12 Y120D
cm FAN



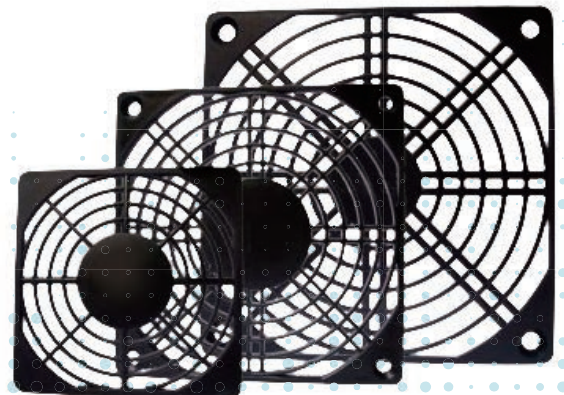
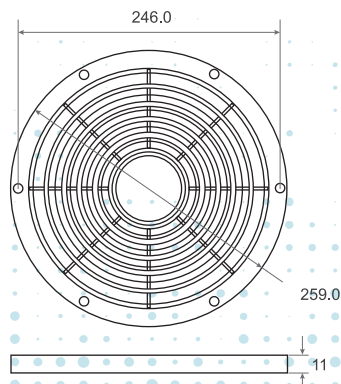
15 Y150D
cm FAN



17 Y170D
cm FAN

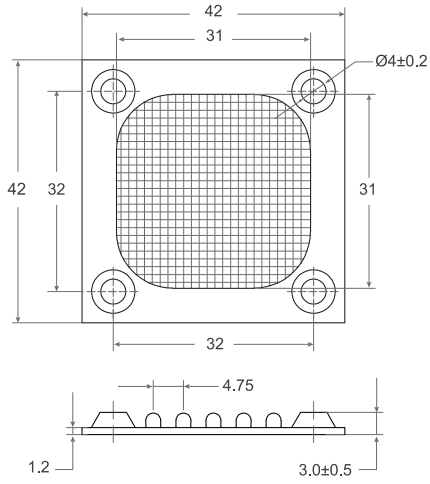


25 Y254D
cm FAN

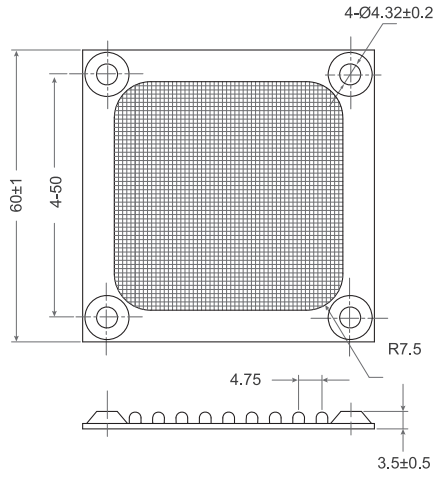




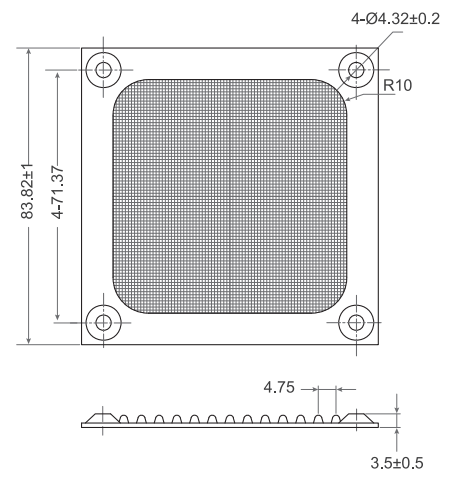
4 A04E-4HA
cm FAN



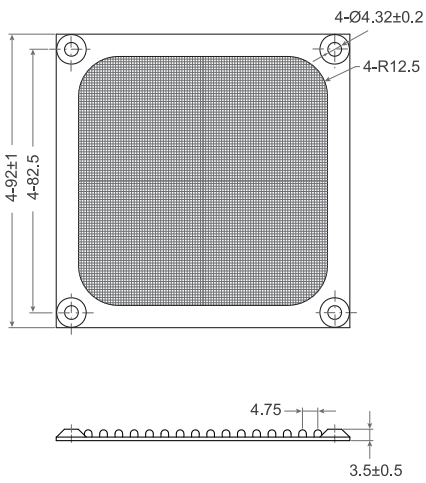
6 A06E-4HA
cm FAN



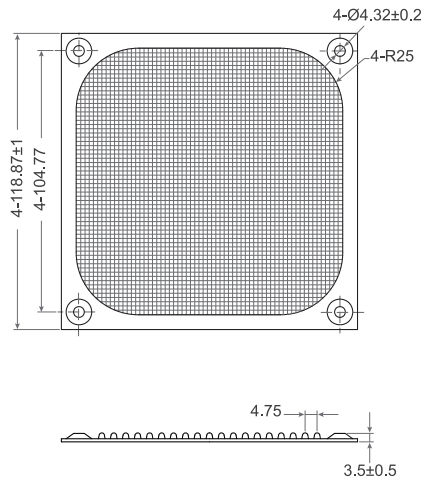
8 A08E-4HA
cm FAN



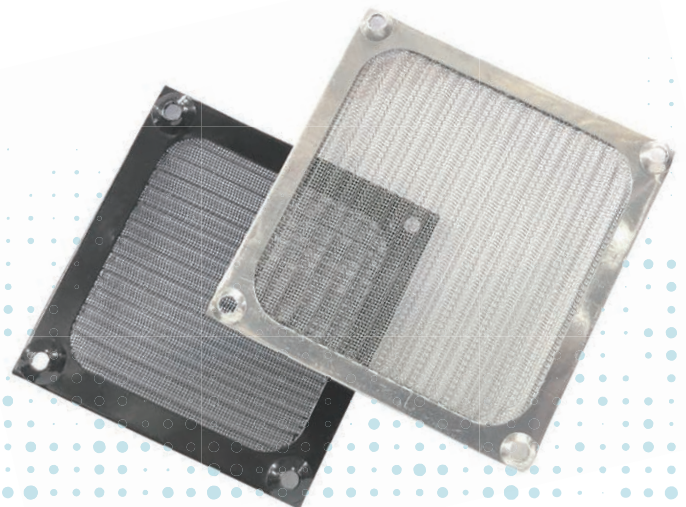
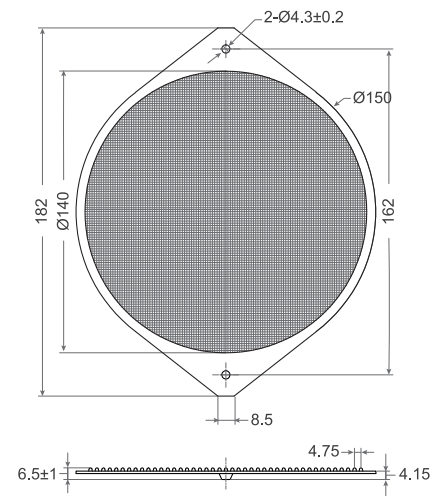
9 A09E-4HA
cm FAN



12 A12E-4HA
cm FAN

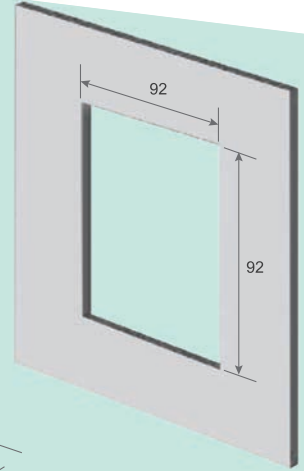
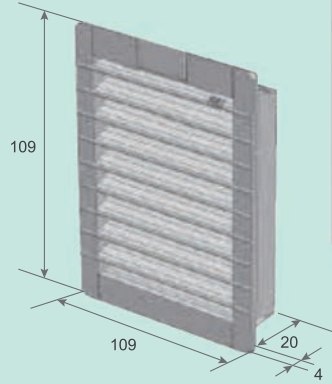


17 A16E-2HA
cm FAN

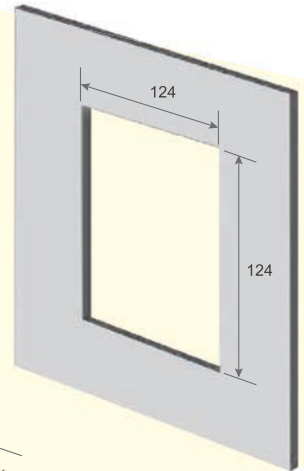
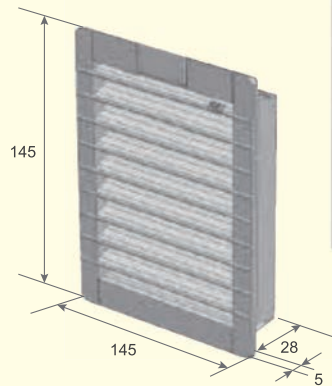




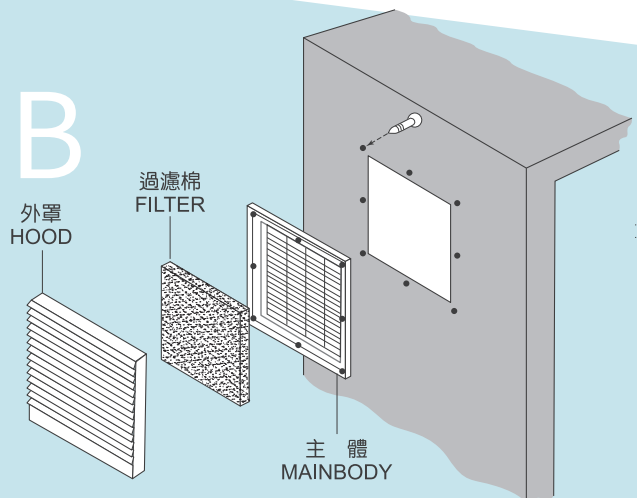
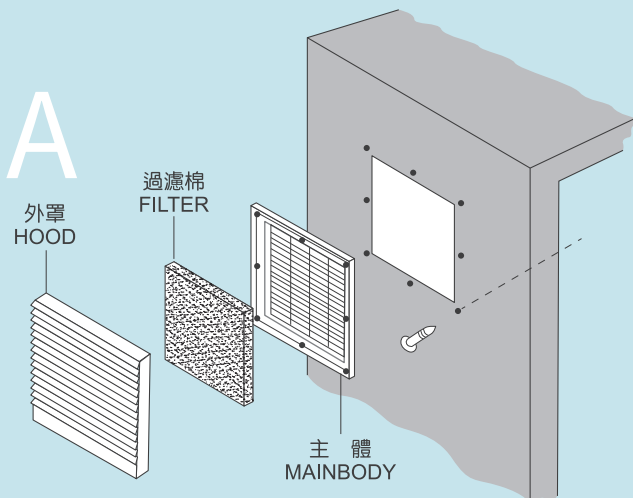
8/9 cm FAN
YO-801

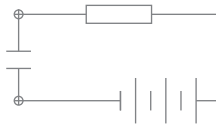


12 cm FAN
YO-04

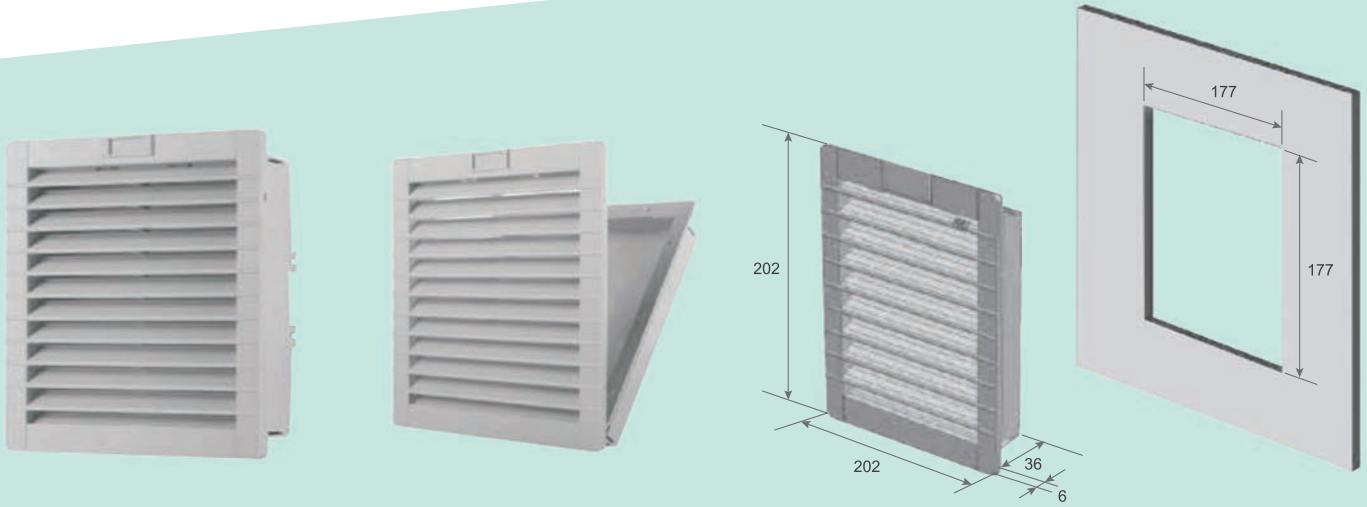


按裝方法
(INSTALLATION METHOD)

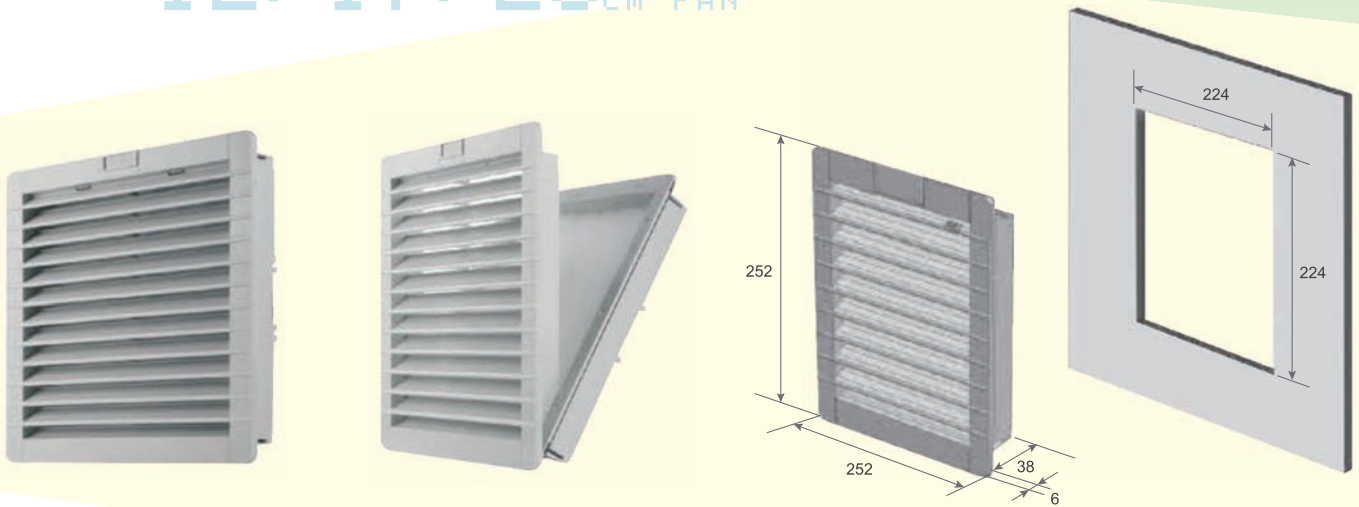




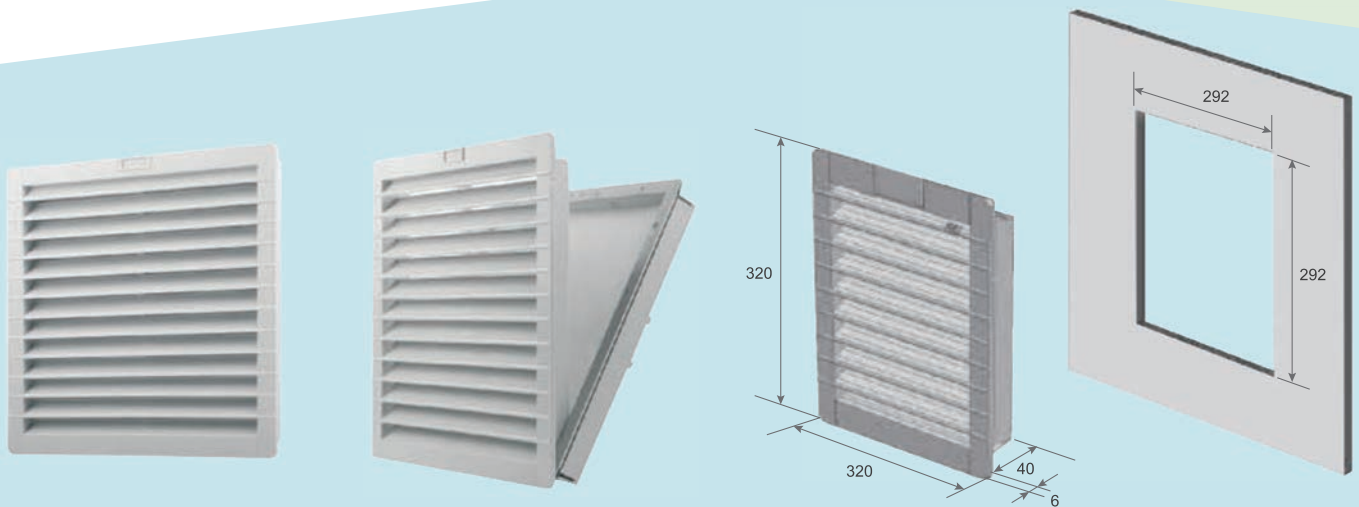
YH-06 12/17_{cm} FAN

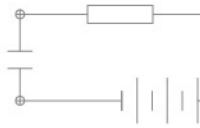


YO-200 12/17/20_{cm} FAN

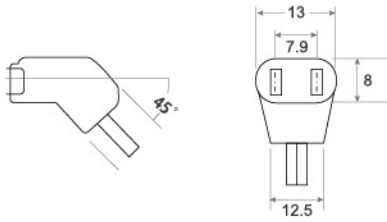


YO-280 22/25/28_{cm} FAN





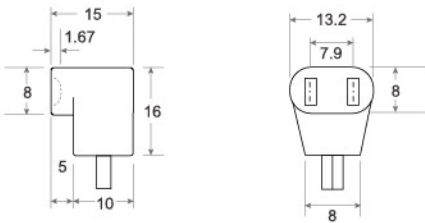
45°



SL-F03

ITEM	LENGTH
01	12 inches (304.8mm)
02	24 inches (609.6mm)
03	36 inches (914.4mm)
04	40 inches (1016.0mm)
05	50 inches (1270mm)
06	60 inches (1524.0mm)
07	80 inches (2032.0mm)
08	314.961 inches (8000.0mm)

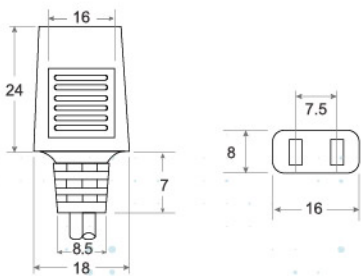
90°



SL-F02

ITEM	LENGTH
01	12 inches (304.8mm)
02	24 inches (609.6mm)
03	36 inches (914.4mm)
04	40 inches (1016.0mm)
05	50 inches (1270mm)
06	60 inches (1524.0mm)
07	80 inches (2032.0mm)

180°



SL-F01

ITEM	LENGTH
01	12 inches (304.8mm)
02	24 inches (609.6mm)
03	36 inches (914.4mm)
04	40 inches (1016.0mm)
05	50 inches (1270mm)
06	60 inches (1524.0mm)
07	80 inches (2032.0mm)
08	314.961 inches (8000.0mm)

The logo for Strikefan Electronic Co., Ltd. features the letters 'STK' in a bold, white, sans-serif font. The letter 'S' is partially filled with a yellow-to-orange gradient.

Strikefan Electronic Co.,Ltd



斯翠可電子股份有限公司

Strikefan Electronic Co.,Ltd.

4F., No. 100, Zhongxing Rd., Xizhi Dist., New Taipei City, Taiwan R.O.C.

Tel: +886-2-26959866 Fax: +886-2-26940365

Official Website: www.strikefan.com