



Headquarters in Shenzhen

Address: Building H, Hejing Industrial Zone, High-tech Park, Zhancheng Community, Fuhai Street, Baoan District, Shenzhen
 Switchboard: +86-755-2960-0088 / TEL: +86-755-8696-0323
 Fax: +86-755-8626-2816
 Email: marketing_p@cnlinko.com

U.S.A

Address: 6900 Philips Hwy Suite 1, Jacksonville, FL 32216
 TEL: 904-467-0331
 Fax: 1-786-999-6525
 Email: usa-sales@cnlinko.com

RUSSIA

Russian: г. Москва, ул. Золоторожский Вал, дом 11, стр.27, Б310 (ТЦ-Рогожская Застава)
 TEL: +7(495)374-01-87
 Email: marketing_d@cnlinko.com

HONG KONG

Address: RM1103, HangSeng Mongkok Building, 677 Nathan Road, Mongkok, Kowloon HK
 TEL: 86-189-2341-6715
 Email: linko_01@cnlinko.com



www.cnlinko.cn



CNLINKO's official WeChat account



CNLINKO's official Tik Tok account

CNLINKO PRODUCT MANUAL

2022



PRODUCT MANUAL

MANUFACTURER OF INDUSTRIAL WATERPROOF CONNECTOR WITH HIGH RELIABILITY



SHENZHEN LINKO ELECTRIC CO., LTD



CONTENT

SHENZHEN LINKO ELECTRIC CO., LTD

01

About
Cnlinko

03

Product
Certification

05

Development
History

06

Engineering
R&D Team

07

Production
Overview

08

Coding
Principle

09

Comprehensive
Product

10

Case
Presentation

17

Product
Catalogue



Product Content

All the company's products are patented products, counterfeiting must be investigated



LP series		P17				
Connection mode	Snap button	Top selling				
Material	Alloy / Plastic					
Protection level	IP65~IP68 (standard IP65 / optional IP67&IP68)					
Features	Suitable and convenient for various operation scenarios					
Application types	Multi-pin type (2, 3, 4, 5, 6, 7, 8, 9, 10, 12, 14, 19, 24 pin and customized 3+2, 2+6, 2+7 pin, etc.)					
	Signal (RJ45, optical fiber)					
	Data (USB2.0, USB3.0, HDMI2.0, Type-c)					
Application	LP12	LP16	LP20	LP24	LP28	
Model page	P23	P29	P37	P43	P47	



BD series		P63	
Connection mode	Snap button	German Red Dot Award	
Material	Alloy / Plastic		
Protection level	IP65~IP68 (standard IP65 / optional IP67&IP68)		
Features	Suitable for various anti-corrosion scenarios		
Application types	Multiple Pins (2,3,4,5,6,7,8,9,10,12,14,19, 24 pins and customized 3+2, 2+6, pins, etc.)		
	Signal (RJ45, optical fiber)		
	Data (USB2.0, USB3.0, HDMI2.0)		
Application	BD20	BD24	
Model page	P69	P73	



YM series		P49	
Connection mode	Bayonet	High waterproof Level	
Material	Plastic		
Protection level	IP65~IP68 (standard IP65 / optional IP67&IP68)		
Features	Suitable for various anti-corrosion scenarios		
Application types	Multi-PIN (2,3,4,5,6,7,9,10,12,14,19,24pin and customized 3+2,2+6 pins etc)		
	Signal Type (RJ45, Optical Fiber)		
	Data Type (USB2.0, USB3.0, HDMI)		
Application	YM20	YM24	
Model page	P55	P59	



DH series		P77	
Connection mode	Bayonet	High pressure resistance	
Material	Alloy		
Protection level	IP65~IP68 (standard IP65 / optional IP67&IP68)		
Features	Fast color recognition, Good performance in all kinds of mechanical impact resistance environment		
Application types	Multi-PIN type (2, 3, 4, 5, 7, 9, 10, 12, 14, 19, 24 pins and customized 3+2, 2+6, etc.)		
	Signal (RJ45, optical fiber)		
	Data (USB2.0, USB3.0, HDMI2.0)		
Application	DH20	DH24	
Model page	P83	P87	

Product Content

All the company's products are patented products, counterfeiting must be investigated



EV series		P91
Connection mode	Snap button	
Material	Plastic	
Protection level	IP65-IP68 (standard IP65 / optional IP67&IP68)	
Features	Press Riveting Terminal Design	
Application types	Multi-PIN (2,3 pin)	
Application	EV20	
Model page	P95	



YA series		P109
Connection mode	Bayonet	
Material	Alloy	
Protection level	IP65-IP68 (standard IP65 / optional IP67&IP68)	
Features	The socket automatic flip cover protection function	
Application types	Multi Pin (2、3、4、5、7、9、12、14pin)	
Application	YA20	
Model page	P113	



DZ series		P97
Connection mode	Bayonet	
Material	Alloy	
Protection level	IP65-IP68 (standard IP65 / optional IP67&IP68)	
Features	Good performance in various mechanical shock environments	
	Multi-pin (2, 3, 4, 5, 7, 9, 10, 12, 14, 19, 24 pins and customized 3+2, 2+6 pins, etc.)	
Application types	Signal (RJ45, optical fiber)	
	Data (USB2.0, USB3.0, HDMI2.0)	
Application	DZ20	DZ24
Model page	P101	P105



YZ series		P115
Connection mode	Bayonet	
Material	Alloy	
Protection level	IP65-IP68 (standard IP65 / optional IP67&IP68)	
Features	Suitable for various kinds of mechanical impact resistance environment	
Application types	Multi Pins (2、3、4、5、7、9、12、14pin)	
Application	YZ20	
Model page	P119	

Product Content

All the company's products are patented products, counterfeiting must be investigated



YW series		P121
Connection mode	Thread	
Material	Alloy	
Protection level	IP65-IP68 (standard IP65 / optional IP67&IP68)	
Features	Suitable for various kinds of mechanical impact resistance environment	
Application types	Multi-PIN type (2, 3, 4, 5, 7, 9, 12, 14 pin)	
Application	YW16	YW20
Model page	P125	P127



YT series		P135
Connection mode	Bayonet	
Material	Alloy / Plastic	
Protection level	IP44/IP65	
Features	Only suitable for various signal transmission	
Application types	Signal type: RJ45	
Application	YT-RJ45	
Model page	P139	



YU series		P129
Connection mode	Bayonet	
Material	Plastic	
Protection level	IP65-IP68 (standard IP65 / optional IP67&IP68)	
Features	Only suitable for various data transfers	
Application types	Data: USB	
Application	YU-USB	
Model page	P133	



YF series		P145
Connection mode	Twist lock latching	
Material	Plastic	
Protection level	IP44/IP65	
Features	Only suitable for various power transmission	
Application types	3 pins	
Application	YF24	
Model page	P149	



Wire Harness customization		P151
Cnlinko's Products series	Existing connectors and solution development products	
Optional cutout size	M12, M16, M20, M24, 28 and development custom	
Optional application type	Power, Signal (RJ45/Optical), Data (USB, HDMI) and Mixed	
Optional material type	Plastic type, plastic+metal type, metal type	
Remark	Customers can choose wire according to their needs	





About Cnlinko

Manufacturer of highly reliable industrial waterproof connectors founded in 2004

CNLINKO, founded in 2004, is a national high-tech enterprise integrating R&D, production, sales and service of industrial waterproof connector products. The business scope involves various industrial connectors such as power connectors, signal connectors, data connectors, and customized wiring harness products. At present, the products are widely used in automation equipment, LED display, security equipment, electronic equipment, intelligent transportation, new energy, Internet of Things and many other fields.

CNLINKO, has established a senior R & D team in the industry , a modern professional production workshop of more than 10,000 square meters, and an annual production capacity of more than 10 million sets. And has a domestic leading professional testing laboratory, has been rated as "National High-tech Enterprise" for many years,National specialized and new small giant enterprise.

Dynmic Linko,highlights the future

Corporate vision: create a national brand of industrial connectors with high-end quality and efficient service

Corporate mission: create value for partners and customers, create opportunities for employees, create profits for shareholders, and create wealth for the society

Business philosophy: technology leadership, lean management, customer first, win-win cooperation

The values of new craftsmen of the times

Ingenuity: Craftsmanship in the heart, abide by the original intention

Craftsmanship: Keeping the quality and going further, Keeping creativity and innovation

Keeping the craftsman's feelings: small family passing on big love, painting the dream of the country together

Practicing craftsmanship: cultivating the style of learning and applying it, and practicing the road of talent foundation

Service is the cornerstone

The service concept of "customer first", and meets users' one-stop procurement service demands from consultation, purchase to distribution and after-sales service with efficient services.

With the Shenzhen headquarters in China as the center, we will build a global sales network, and radiate our business to Asia, Europe, North America and other countries or regions, and provide satisfactory products and high-quality services to more than 40,000 customers around the world.

Based on quality

High-quality employees, cutting-edge production equipment and standardized production processes ensure the best quality of CNLINKO's products.

CNLINKO selects the best production materials, implements the whole process quality control from incoming to out of warehouse through a full range of standardized production processes, implements CCD and automatic detection, eliminates human errors, and continuously improves the production process to maintain a high level of quality to keep customers satisfied.

Driven by R&D

CNLINKO's innovations are based on long-term accumulated experience and set new industry standards worldwide.

After years of hard work, the company has mastered the core connection technology in industrial connectors, has a professional R&D team, and built a powerful laboratory testing room. In the field of aviation plugs, it has obtained more than 90 patents and a number of international qualification certifications. Use the PLM system to manage the entire life cycle of products, providing a stronger guarantee for the realization of customers' needs.

Guaranteed by supply chain management

CNLINKO implements enterprise ERP system and pays attention to internal control. It only takes 20 working days from the time the user needs the product to the shipment of the product.

CNLINKO adheres to the lean and intelligent production concept, fully automatic, flexible production and unit production to meet the production needs of different products. And in the production process, the entire supply chain is strictly controlled. Implemented "red and black list" management, and established a professional inventory mechanism.





Certification

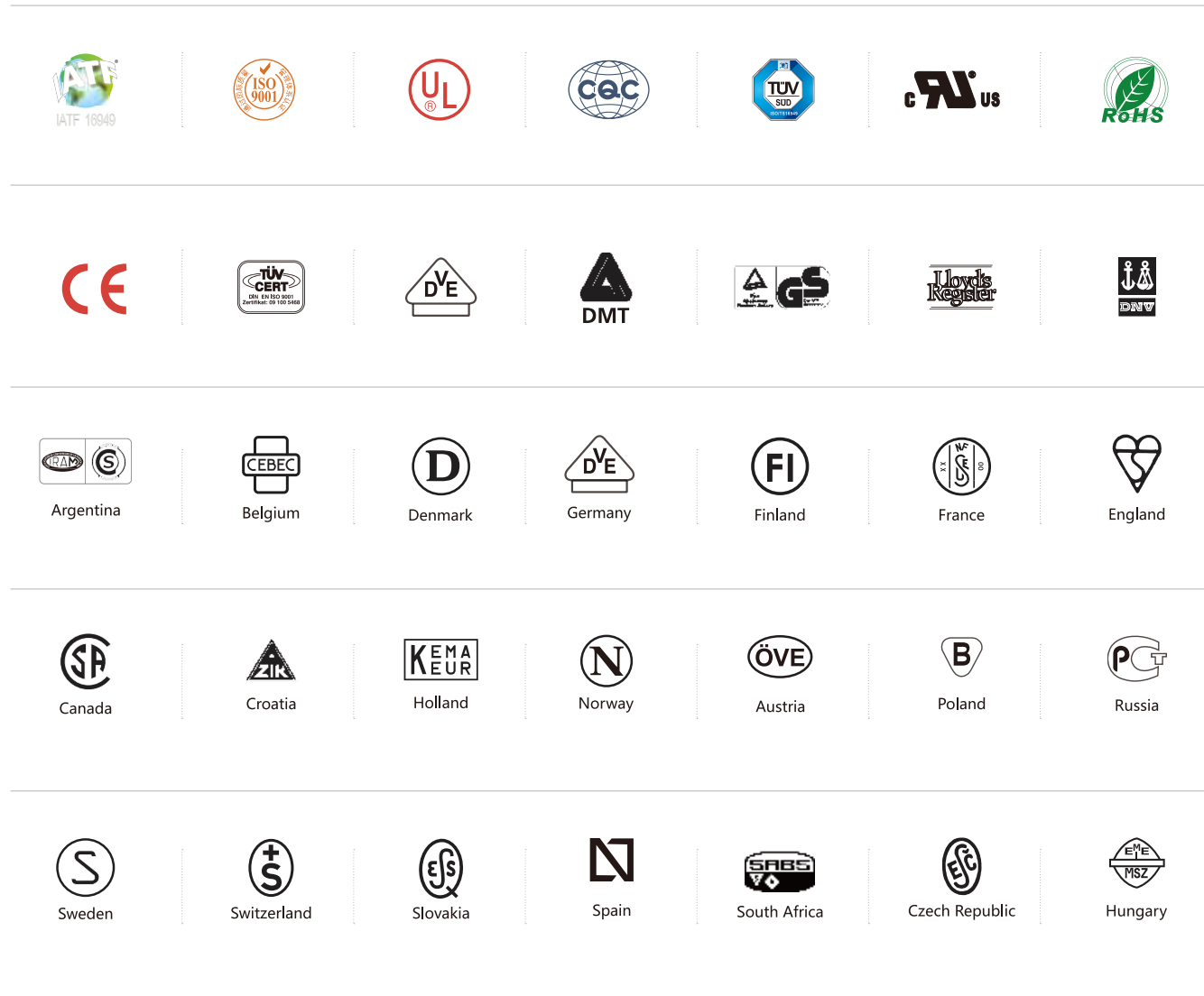
We are making continuous efforts and these are not our highest requirements, we have to escort every product.

The products approved by many international certifications Escort for your products

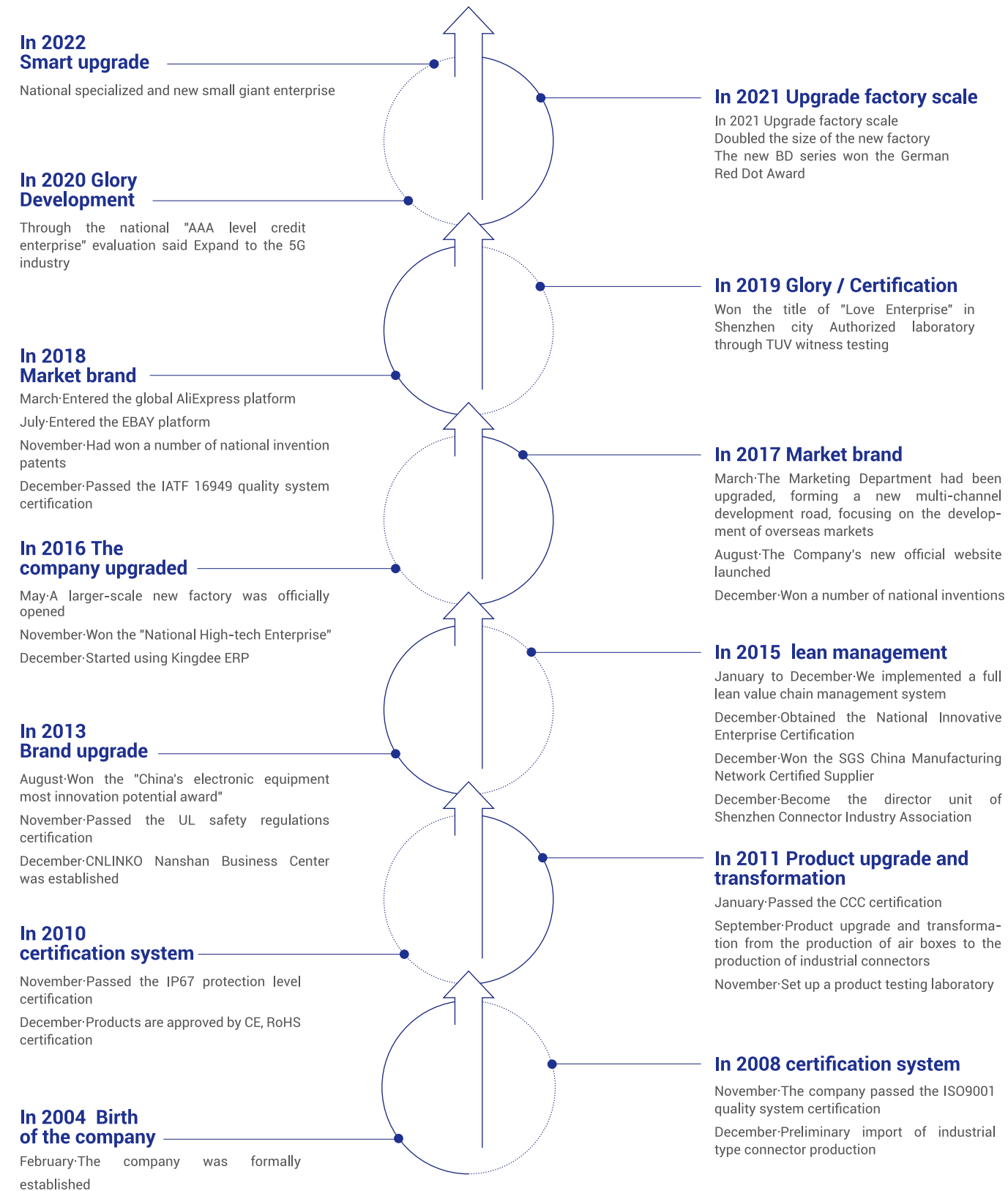
90 More than patents



After years of efforts, CNLINKO is committed to taking the connector in the international leading level, mastering the core connection technology in the industrial connector, has a number of professional R&D teams, and has obtained a number of international qualification certification in the field of connector.



Development History



Engineering R&D Team

Passion makes our technical innovation constantly extend, rigorous makes our product quality more guaranteed, excellent design team makes your ideas into reality, rigorous engineering development process makes every step into order; international cutting-edge material supply guarantees the quality of every product; make your products more added value is our constant mission!

- ✓ Innovation ability
- ✓ design ability
- ✓ test and verification ability
- ✓ specification and collaboration
- ✓ team contribution



Engineering process



Production Overview



Quality



In order to meet the product needs of different customers, we have achieved fast and efficient shipments. A professional inventory mechanism has been established to meet your various shipping needs with an output of more than 20,000 sets per day.

Adhere to the principle of "quality first", implement the whole process of quality monitoring from incoming to outgoing warehouse, the implementation of CCD and automatic detection, to eliminate error made by human.

Delivery



From customer needs to product design, development, verification, and the final product realization, CNLINKO only takes 20 Working days with its excellent design team, rigorous process standards and product testing.

On-time delivery is our commitment to our customers, to strictly control the entire supply chain, and to implement the "red and black order" management in the production process, to make our customers satisfied.

Manufacture



Lean production is our eternal purpose, we continue to improve our persistence every day, efficient production capacity, so that every order is shipped as scheduled, automation equipment to let every standard is continued, we firmly believe that quality is made by hard work

Adhere to the lean intelligent production concept, full automation, flexible production and unit production combined, to meet the production needs of different products.

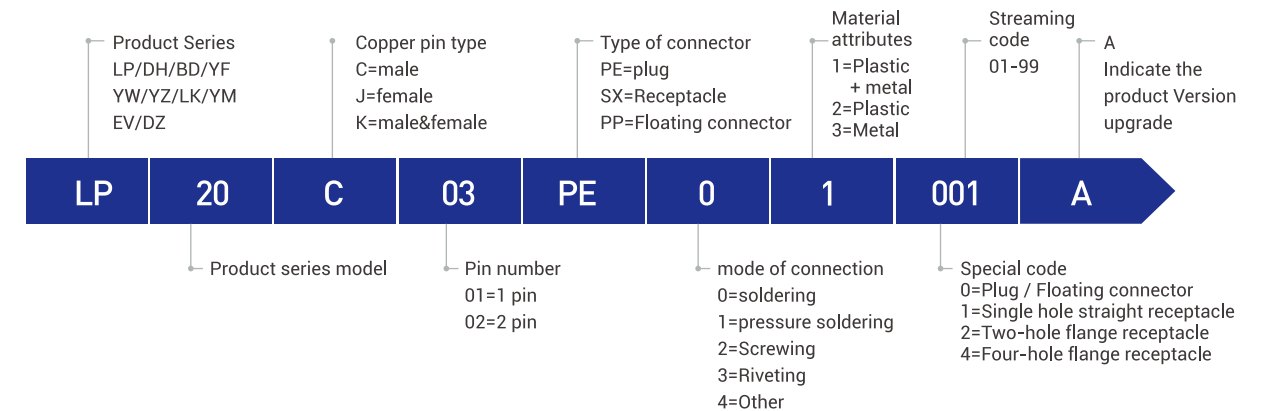
Cost



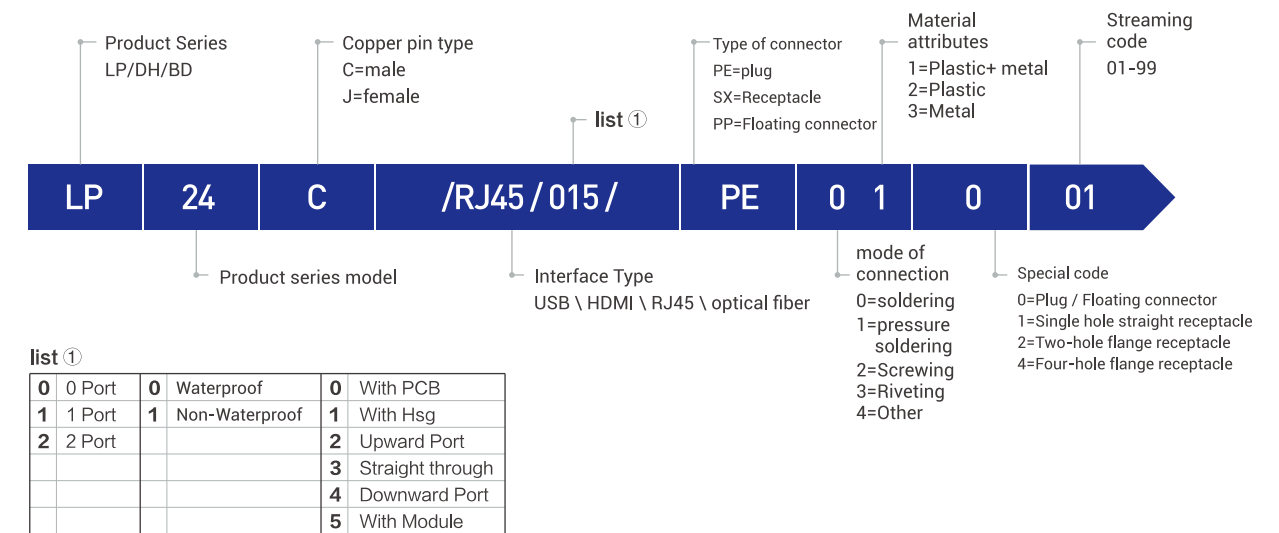
We cherish the cooperation with every customer, in order to rationalize the product cost, continue to improve the whole process, from the design, process, material, efficiency of all links, to optimize the production cost.

Coding Principle

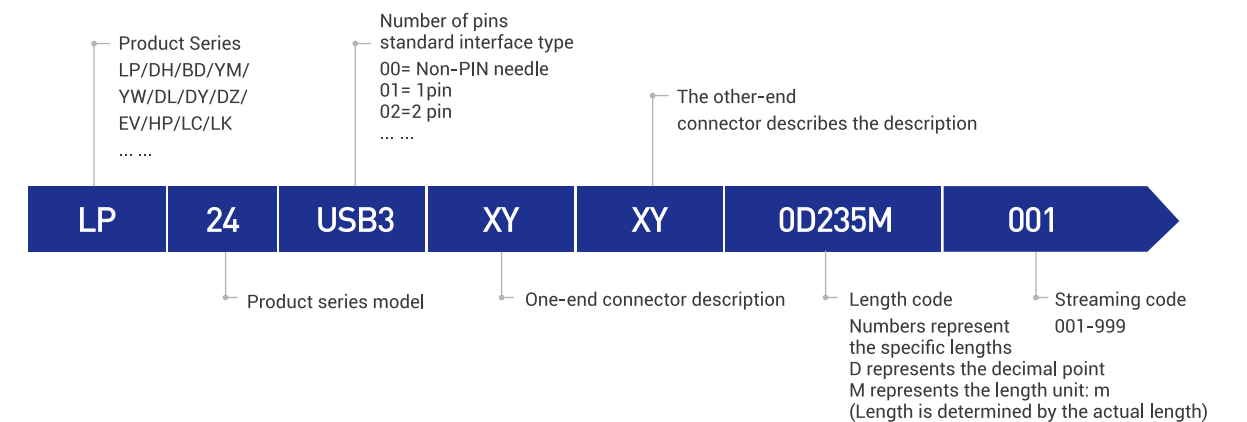
Category 1: Waterproof connector



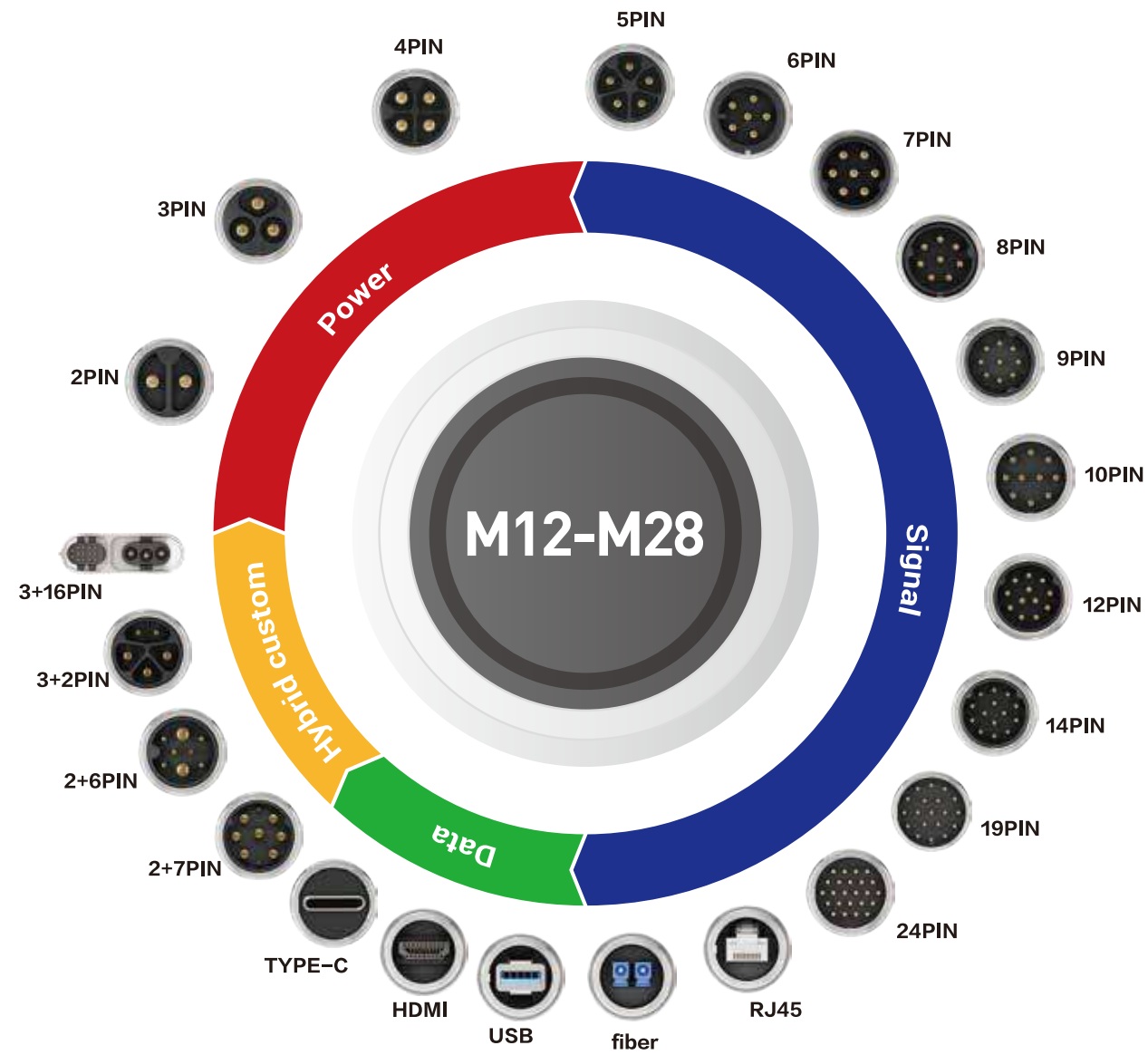
* Different codes for reference standard generic data and signal interfaces such as USB \ HDMI \ RJ45 \ fiber for instance:



Category 2: wire



Comprehensive Product



Case Presentation

Application cases in the new energy

In the context of carbon reduction, green and environmental protection, the new energy represented by solar photovoltaic is rising rapidly and developing rapidly. For new energy equipment, it is the key to ensure the reliable and safe power supply and signal connection in the outdoor environment. With its advantages of high waterproof, corrosion resistance and high resistance, CNLINKO industrial connector is widely used in high and low temperature resistance and high transmission performance.

Application equipment:

solar photovoltaic, Energy storage

Application products:

BD, YM20, LP20 series





Electronic device cases

There are many kinds of electronic equipment, and the application scenarios involved are very different, so the certification audit of electronic equipment products, including supporting connector products, is very strict. The industrial connector of CNLINKO has been UL, TUV, CQC and other China, the United States, the EU and other countries of the authoritative certification, in line with CE, RoHS, REACH and other standards, can fully meet the certification requirements and quality requirements of electronic products.

Application equipment:

Signal transmission instrument, 3D printer

Application products:

LP12, LP16, LP20, YM20, YM24 series



Communication equipment cases

Communication is a key infrastructure. With the iterative update cycle of communication technology getting shorter and shorter, the global demand for communication equipment is growing strongly.

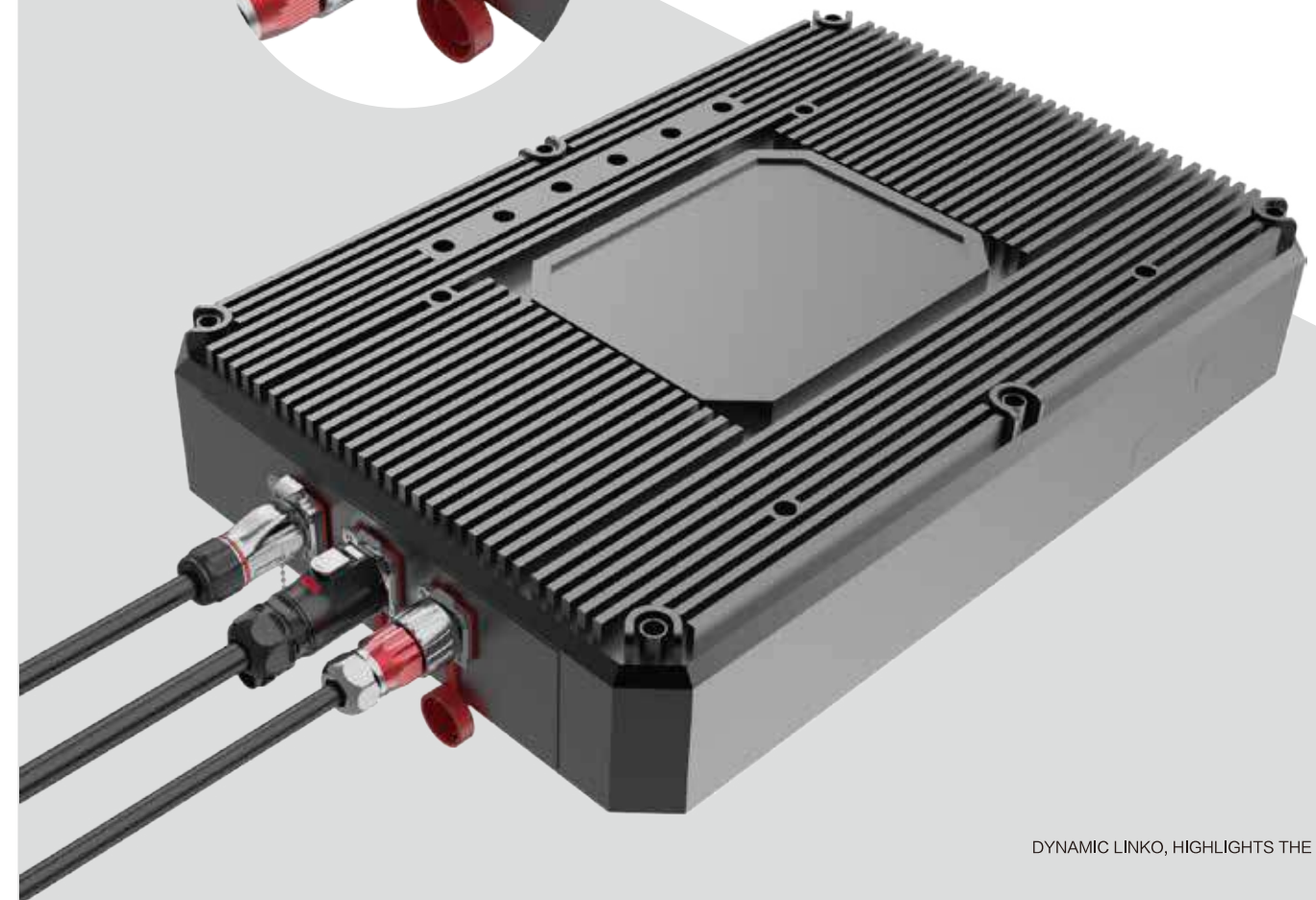
High transmission rate, high reliability, harsh environment adaptability and other indicators are the higher requirements for the connector. The industrial connector of CNLINKO adopts high-quality material selection, innovative structural design and advanced manufacturing technology, which can realize the connection requirements of high-speed transmission in the harsh outdoor environment.

Application equipment:

Signal transceiver

Application products:

BD24, DH20, DH24, LP24, LP28, YT-RJ45





Automation Equipment Case

With the continuous advancement of industry 4.0 and Made in China 2025 strategy, factory automation and intelligence have become a big trend, helping enterprises to achieve cost reduction and efficiency increase. Multi-type industrial connectors that can adapt to industrial scenarios are considered the key to ensure the efficiency and safety of automation equipment connection. The industrial connector of CNLINKO is widely used in the automation industry with high waterproof and corrosion resistance, shock resistance and stable and efficient transmission.

Application equipment:

Mechanical intelligent automation, Production equipment, outdoor video monitor intelligent robot

Application products:

DH20, DH24, DZ20



Security equipment cases

Security network is an important part of building a smart city and a safe city. With the development of security monitoring network to intelligent and high-definition, the connector signal and data transmission rate and capacity, as well as the high reliability in the outdoor environment are put forward higher requirements.

The industrial connector of CNLINKO has the advantages of ultra-high transmission performance, waterproof and corrosion resistance, and high weather resistance, which effectively guarantees the operation of security monitoring in a complex environment.

Application equipment:

Machine room monitoring system, information security door, outdoor video monitor

Application products:

BD24, DH20, DH24, DZ20





Lighting Equipment cases

Landscape lights, street lights and other lighting facilities, as urban infrastructure, play an incomparable role in urban construction and beautification. How the outdoor lighting facilities realize the high reliability of the power supply and signal connection in the outdoor environment has always been the focus of attention. The industrial connector of CNLINKO is widely used in the lighting system with its advantages of high waterproof and corrosion resistance, high and low temperature resistance, firmness and durability.

Application equipment:

Outdoor landscape lights, stage lights, indoor lighting equipment

Urban lighting system

Application products:

DH20, DH24, DZ20



The LED display screen case

Outdoor LED display screens are favored by users because of their diversified display forms. The efficient, stable and safe connector is the key link for the outdoor LED display screen to display the video pictures smoothly and reliably in the outdoor environment. CNLINKO industrial connector, with stable and reliable, vibration and impact resistance, high protection level, strong transmission performance and other characteristics, fully meet the connection requirements of outdoor LED display screen.

Application equipment:

LED splicing display

Application products:

LP20, YF24, YT-RJ45



LP SERIES

LP Shortcut Waterproof Connector



LP waterproof connector application type

CNLINKO LP series multi-application waterproof connectors, simple operation, fast and stable connection method, and outdoor waterproof performance with IP67 level. While satisfying the quality, it is more in line with the environmental protection requirements of global industrial equipment.

• **Series product information:**

Series code:	LP- 12 、 LP- 16 、 LP- 20 、 LP- 24 、 LP- 28
Hole size:	Please refer to the external dimension drawing for detailed hole size.
Application types:	Multi-pin type (2, 3, 4, 5, 6, 7, 8, 9, 10, 12, 14, 19, 24 pin and customized 3+2, 2+6, 2+7 pin, etc.) Signal (RJ45, optical fiber) Data (USB2.0, USB3.0, HDMI2.0, Type-C)
Material type:	Plastic type, plastic + metal type, metal type

• **Introduction:**

Product types include power, multi-pin, hybrid, USB2.0, USB3.0, HDMI, Type-c, RJ45, optical fiber eight types. Plastic shell, light weight, good toughness, metal shell, high impact strength, using snap-lock, one-handed operation, simple operation, safe and reliable.

• **Main body material, process and surface treatment:**

Shell:	Material: Engineering Plastic/Metal	Surface treatment: Chrome plating
	Production Process: Machining & Stamping	

• **Module material, process and surface treatment:**

Contact:	Material: Male/Female Pin (Copper Alloy)	Production Process: Machining & Stamping
	Surface Treatment: Gold plated over nickel	
LC Fiber Contact Material:	Male/Female end (High Modulus Glass Fiber)	
Insulator:	Material: Engineering Plastic	Production process: injection molding

• **Packaging and Storage:**

The product is in a sealed bag, with a small box in the large box, and a label on the small box. The label indicates the product name, model, batch number, and number of products. Packaged products are recommended to be stored in a warehouse with an ambient temperature of 25°C ± 3°C, a relative humidity of ≤72%, and no acidic, alkaline and other corrosive gases in the surrounding air. Other storage environments may affect product life.

• **Check the official website LP series area:**

Scan the QR code below to check the LP area of CNLINKO's official website. If you have any doubts, you can contact the online customer service for more detailed product information.



QR code of LP series

Applications



LP-24 series products are used in a mechanical equipment control box

Features Overview



Easy to use, fast and convenient

LP series adopts snap connection design, easy to use, one-handed operation, fast and convenient.



High waterproof performance

The product can reach the IP65 protection level or above in the connected state. At present, it is standard IP65. Users can choose IP67 or IP68 level according to their needs.



Cold and heat resistance

Can adapt to a wide range of high and low temperature ambient temperatures: -25~+85° C for plastic and -40~+85° C for metal.



More efficient and reliable transmission

The contact parts are made of high-end imported copper alloy, and the surface is gold-plated to ensure long-term stability of the contact resistance value and efficient and reliable transmission performance of the connector.

Type and Style



Multiple styles

All-plastic/all-metal/semi-metal three types are available, which can meet the differentiated needs of users for high corrosion resistance, anti-interference, and high strength.



Flexible installation

The LP series has three installation methods: single-hole threaded receptacle, four-hole flange receptacle, two-hole flange receptacle, and floating connection. Users can choose according to actual application scenarios.



Users can choose a variety of wiring methods

The LP series provides product types with two connection methods: locking screw and soldering. Locking screw is quick and convenient, and soldering is more reliable.

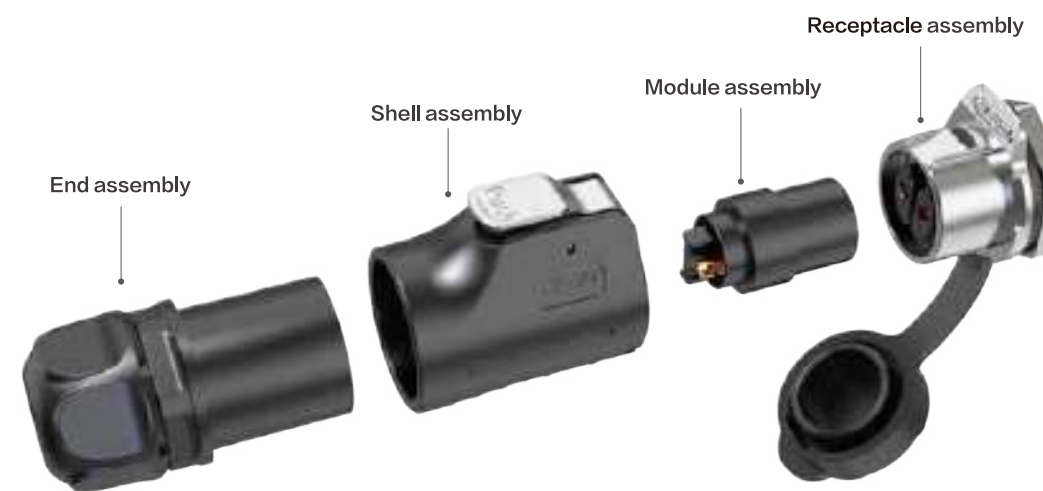


Color can be customized, your exclusive style

The LP series can now provide customized services in white, blue and other colors of the shell body to meet the personalized needs of users.

Product Structure Image

Dozens of high-quality parts are precisely engaged to ensure the safety and stability of the connector.



Series Infographic



LP-12 Series Information Overview P23

Product application type:	Power: 2/3/4 pins
	Signal: 5/6/7/8 pins
	The operating voltage of the power supply connection can reach 125V, the rated current is 5A (2~6 pins), 3A (7~8 pins).
Cable O.D	Multi-pin type: $\leq \Phi 7.0\text{mm}$
Details page:	Product Parameter Map: P23 Dimension Drawing: P27

LP-16 Series Information Overview P29

Product application type:	Power: 2/3/4 pins Data: Type-c
	Signal: 5/7/8/9 pins, RJ45, Optical fiber
	The operating voltage of the power connection can reach 400V, and the rated current is 10A (2/3/4 pins), 5A (5/7/8/9 pins).
Cable O.D	Multi-pin type: $\leq \Phi 9.0\text{mm}$
Details page:	Product Parameter Map: P29 Dimension Drawing: P35

LP-20 Series Information Overview P37

Product application type:	Power: 2/3/4 pins
	Signal: 5/7/9/12/14 pin
	The operating voltage of the power connection can reach 500V, and the rated current is 20A (2~4pins) , 10A (5、7pins) ,20A+5A (8-pins hybrid) , 5A (9、12、14pins) .
Cable O.D:	Multi-pin type: $\leq \Phi 12.0\text{mm}$
Details page:	Product Parameter Map: P37 Dimension Drawing: P41

LP-24 Series Information Overview P43

Product application type:	Power: 2/3/4 pins Signal: 10/12/19/24 pins, RJ45, optical fiber
	Data: USB, HDMI
	The working voltage of the power connection can reach 500V, and the rated current is 45A (3 pins), 35A (2/3 pins), 25A (2/3/4 pins), 10A (10/12 pins), 5A (19/24 pins).
Cable O.D	Multi-pin type: $\leq \Phi 14.0\text{mm}$ Data type: USB、HDMI: $\Phi 5.0\sim\Phi 7.0\text{mm}$
	Signal type: RJ45、Optical fiber: $\Phi 5.0\sim\Phi 6.5\text{mm}$
Details page:	Product Parameter Map: P43 Dimension Drawing: P45

LP-28 Series Information Overview P47

Product application type:	Power: 2/3 pins
	Signal: 8 pins
	The rated voltage of the power connection can reach 500V, and the rated current is 50A (2/3 pins), 35A (3 pins), 15A (8 pins).
Cable O.D:	Multi-pin type: $\leq \Phi 20.5\text{mm}$
Details page:	Product Parameter Map: P47 Dimension Drawing: P48

LP-12

LP-12 Datasheet

LP12 Power/Signal	Product Series	LP-12								—	—	
	Pin Number	2PIN	3PIN	3PIN	4PIN	5PIN	6PIN	7PIN	8PIN	—	—	
	Application Type Section									—	—	
	Current Rated	5A				5A			3A		—	—
	Voltage Rated	AC 125V				AC 125V			AC 100V		—	—
	Cable O.D Range	≤ φ 7.0mm				≤ φ 7.0mm					—	—
	Wire Size	0.5mm ² /20AWG				0.5mm ² /20AWG			0.34mm ² /22AWG		—	—
	Protection Level	Standard is IP65, IP67&IP68 Option Available						Standard is IP65, IP67&IP68 Option Available				—
Assembly Method	Soldering / Screwing		Screwing		Soldering		Soldering				—	—
Illustration	Material	Part No								Part No		
	Plastic	Male	LP-12-C02PE-02-001	LP-12-C03PE-02-001	LP-12-C03PE-22-003	LP-12-C04PE-02-001	LP-12-C05PE-02-001	LP-12-C06PE-02-001	LP-12-C07PE-02-001	LP-12-C08PE-02-001	—	—
		Female	LP-12-J02PE-02-004	LP-12-J03PE-02-004	—	LP-12-J04PE-02-004	LP-12-J05PE-02-004	LP-12-J06PE-02-004	LP-12-J07PE-02-004	LP-12-J08PE-02-004	—	—
	Plastic	Female	LP-12-C02PP-02-003	LP-12-C03PP-02-003	—	LP-12-C04PP-02-003	LP-12-C05PP-02-003	LP-12-C06PP-02-003	LP-12-C07PP-02-003	LP-12-C08PP-02-003	—	—
		Male	LP-12-J02PP-02-001	LP-12-J03PP-02-001	LP-12-J03PP-22-001	LP-12-J04PP-02-001	LP-12-J05PP-02-001	LP-12-J06PP-02-001	LP-12-J07PP-02-001	LP-12-J08PP-02-001	—	—
	Plastic	Female	LP-12-C02SX-02-104	LP-12-C03SX-02-104	—	LP-12-C04SX-02-104	LP-12-C05SX-02-104	LP-12-C06SX-02-104	LP-12-C07SX-02-104	LP-12-C08SX-02-104	—	—
		Male	LP-12-J02SX-02-101	LP-12-J03SX-02-101	LP-12-J03SX-22-101	LP-12-J04SX-02-101	LP-12-J05SX-02-101	LP-12-J06SX-02-101	LP-12-J07SX-02-101	LP-12-J08SX-02-101	—	—
	Plastic	Female	LP-12-C02SX-02-404	LP-12-C03SX-02-404	—	LP-12-C04SX-02-404	LP-12-C05SX-02-404	LP-12-C06SX-02-404	LP-12-C07SX-02-404	LP-12-C08SX-02-404	—	—
		Male	LP-12-J02SX-02-401	LP-12-J03SX-02-401	LP-12-J03SX-22-401	LP-12-J04SX-02-401	LP-12-J05SX-02-401	LP-12-J06SX-02-401	LP-12-J07SX-02-401	LP-12-J08SX-02-401	—	—

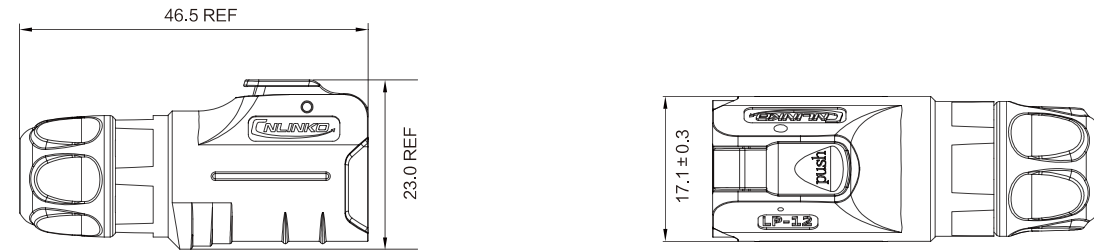
LP-12

LP-12 Datasheet

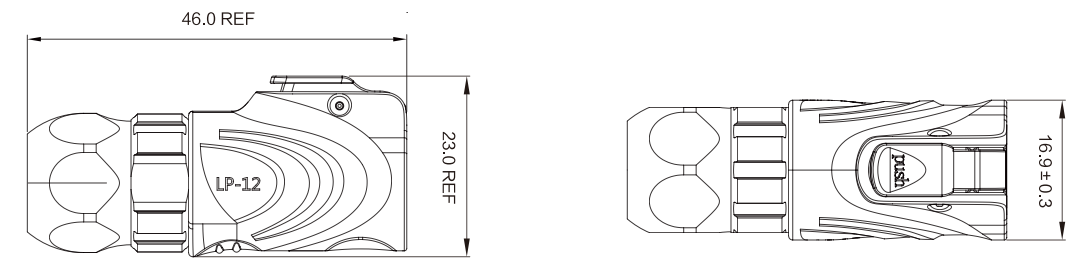
LP12 Power/Signal	Product Series	LP-12								LP-12								
	Pin Number	2PIN		3PIN		3PIN		4PIN		5PIN		6PIN		7PIN		8PIN		—
	Application Type Section																	—
	Current Rated	5A								5A				3A				—
	Voltage Rated	AC 125V								AC 125V				AC 100V				—
	Cable O.D Range	≤ φ 7.0mm								≤ φ 7.0mm								—
	Wire Size	0.5mm ² /20AWG								0.5mm ² /20AWG				0.34mm ² /22AWG				—
	Protection Level	Standard is IP65, IP67&IP68 Option Available								Standard is IP65, IP67&IP68 Option Available								—
Assembly Method	Soldering / Screwing						Soldering		Soldering						—			
Illustration	Material	Part No								Part No								
Plug 	Male	LP-12-C02PE-03-001	LP-12-C03PE-03-001	LP-12-C03PE-21-002	LP-12-C04PE-03-001					LP-12-C05PE-03-001	LP-12-C06PE-03-001	LP-12-C07PE-03-001	LP-12-C08PE-03-001				—	
	Female	—	—	—	—					—	—	—	—	—	—	—	—	
In-line receptacle 	Male	—	—	—	—					—	—	—	—	—	—	—	—	
	Female	LP-12-J02PP-01-001	LP-12-J03PP-01-001	LP-12-J03PP-21-002	LP-12-J04PP-01-001					LP-12-J05PP-01-001	LP-12-J06PP-01-001	LP-12-J07PP-01-001	LP-12-J08PP-01-001				—	
Single hole straight receptacle 	Male	—	—	—	—					—	—	—	—	—	—	—	—	
	Female	LP-12-J02SX-03-101	LP-12-J03SX-03-101	LP-12-J03SX-23-101	LP-12-J04SX-03-101					LP-12-J05SX-03-101	LP-12-J06SX-03-101	LP-12-J07SX-03-101	LP-12-J08SX-03-101				—	
Four-hole flange receptacle 	Male	—	—	—	—					—	—	—	—	—	—	—	—	
	Female	LP-12-J02SX-03-401	LP-12-J03SX-03-401	LP-12-J03SX-23-401	LP-12-J04SX-03-401					LP-12-J05SX-03-401	LP-12-J06SX-03-401	LP-12-J07SX-03-401	LP-12-J08SX-03-401				—	

LP-12 Dimension Drawing (unit: mm)

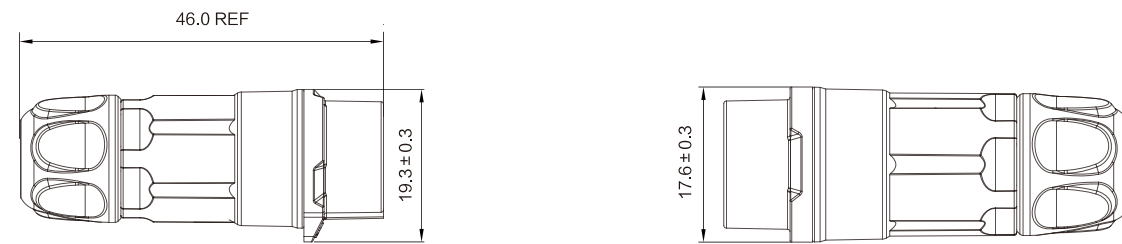
Plastic plug



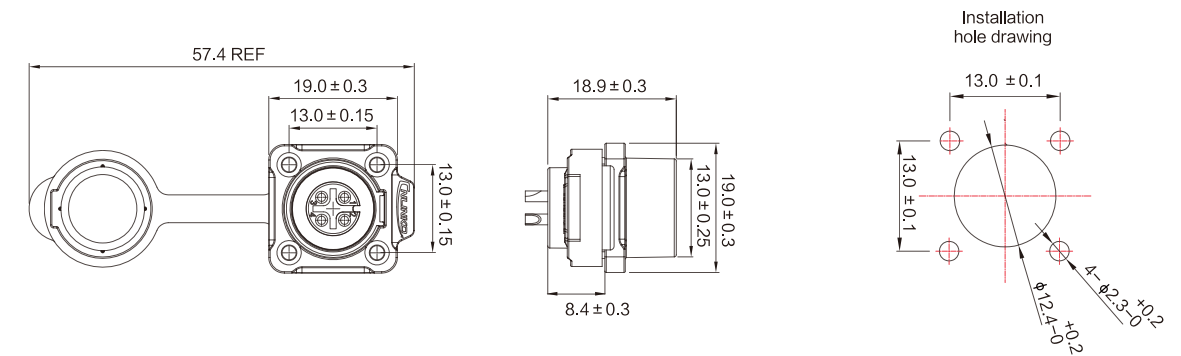
Metal plug



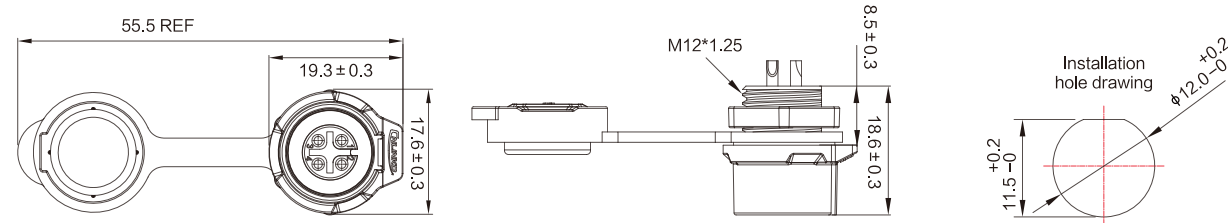
In-line receptacle



Four-hole flange receptacle



Single hole straight receptacle



LP-16

LP-16 Datasheet

LP16 Power/Signal	Product Series	LP-16								LP-16									
	Pin Number	2PIN		3PIN		4PIN		5PIN		7PIN		8PIN		9PIN		RJ45	Type- C	—	
	Application Type Section																	—	
	Current Rated	10A				5A				5A				1.5A	5A	—			
	Voltage Rated	AC 400V				AC 250V				AC 250V				AC 125V	DC 20V	—			
	Cable O.D Range	≤ φ 9.0mm								≤ φ 9.0mm				≤ φ 7.0mm		—	—		
	Wire Size	1.5mm ² /16AWG				0.50mm ² /20AWG				0.50mm ² /20AWG				—	—	—			
	Protection Level	Standard is IP65, IP67&IP68 Option Available								Standard is IP65, IP67&IP68 Option Available								—	—
Assembly Method	Soldering /Screwing				Soldering				Soldering				—	—	—				
Illustration	Material	Part No								Part No									
	Plastic	Male	LP-16-C02PE-02-001	LP-16-C03PE-02-001	LP-16-C04PE-02-001	LP-16-C05PE-02-001	LP-16-C07PE-02-001	LP-16-C08PE-02-001	LP-16-C09PE-02-001	LP-16-C/RJ45/015/PE-42-001	LP-16-TYPEC-MP-MP-1M-002	—							
		Female	LP-16-J02PE-02-001	LP-16-J03PE-02-001	LP-16-J04PE-02-001	LP-16-J05PE-02-001	LP-16-J07PE-02-001	LP-16-J08PE-02-001	LP-16-J09PE-02-001	—	—	—							
	Plastic	Male	LP-16-C02PP-02-001	LP-16-C03PP-02-001	LP-16-C04PP-02-001	LP-16-C05PP-02-001	LP-16-C07PP-02-001	LP-16-C08PP-02-001	LP-16-C09PP-02-001	—	—	—							
		Female	LP-16-J02PP-02-001	LP-16-J03PP-02-001	LP-16-J04PP-02-001	LP-16-J05PP-02-001	LP-16-J07PP-02-001	LP-16-J08PP-02-001	LP-16-J09PP-02-001	LP-16-J/RJ45/213/PP-42-001	—	—							
	Plastic	Male	LP-16-C02SX-02-101	LP-16-C03SX-02-101	LP-16-C04SX-02-101	LP-16-C05SX-02-101	LP-16-C07SX-02-101	LP-16-C08SX-02-101	LP-16-C09SX-02-101	—	—	—							
		Female	LP-16-J02SX-02-101	LP-16-J03SX-02-101	LP-16-J04SX-02-101	LP-16-J05SX-02-101	LP-16-J07SX-02-101	LP-16-J08SX-02-101	LP-16-J09SX-02-101	LP-16-J/RJ45/110/SX-02-101	—	—							
	Plastic	Male	LP-16-C02SX-02-401	LP-16-C03SX-02-401	LP-16-C04SX-02-401	LP-16-C05SX-02-401	LP-16-C07SX-02-401	LP-16-C08SX-02-401	LP-16-C09SX-02-401	—	—	—							
		Female	LP-16-J02SX-02-401	LP-16-J03SX-02-401	LP-16-J04SX-02-401	LP-16-J05SX-02-401	LP-16-J07SX-02-401	LP-16-J08SX-02-401	LP-16-J09SX-02-401	LP-16-J/RJ45/113/SX-02-201	LP-16-TYPEC-MP-FS-1M-002	—							

LP-16

LP-16 Datasheet

LP16 Power/Signal	Product Series	LP-16						LP-16										
	Pin Number	2PIN		3PIN		4PIN		5PIN		7PIN		8PIN		9PIN		—	—	—
	Application Type Section															—	—	—
	Current Rated	10A						5A		5A					—	—	—	
	Voltage Rated	AC 400V						AC 250V		AC 250V					—	—	—	
	Cable O.D Range	≤ φ 9.0mm						≤ φ 9.0mm					—	—	—			
	Wire Size	1.5mm ² /16AWG						0.5mm ² /20AWG		0.5mm ² /20AWG					—	—	—	
	Protection Level	Standard is IP65, IP67&IP68 Option Available									Standard is IP65, IP67&IP68 Option Available							
Assembly Method	Soldering / Screwing						Soldering		Soldering									
Illustration	Material	Part No						Part No										
 Plug	Plastic / Metal	Male	LP-16-C02PE-01-001	LP-16-C03PE-01-001	LP-16-C04PE-01-001	LP-16-C05PE-01-001	LP-16-C07PE-01-001	LP-16-C08PE-01-001	LP-16-C09PE-01-001	—	—	—						
		Female	LP-16-J02PE-01-001	LP-16-J03PE-01-001	LP-16-J04PE-01-001	LP-16-J05PE-01-001	LP-16-J07PE-01-001	LP-16-J08PE-01-001	LP-16-J09PE-01-001	—	—	—						
 RJ45	Plastic / Metal	Male	LP-16-C02PP-01-001	LP-16-C03PP-01-001	LP-16-C04PP-01-001	LP-16-C05PP-01-001	LP-16-C07PP-01-001	LP-16-C08PP-01-001	LP-16-C09PP-01-001	—	—	—						
		Female	LP-16-J02PP-01-001	LP-16-J03PP-01-001	LP-16-J04PP-01-001	LP-16-J05PP-01-001	LP-16-J07PP-01-001	LP-16-J08PP-01-001	LP-16-J09PP-01-001	—	—	—						
 Optical fiber	Plastic / Metal	Male	LP-16-C02SX-03-101	LP-16-C03SX-03-101	LP-16-C04SX-03-101	LP-16-C05SX-03-101	LP-16-C07SX-03-101	LP-16-C08SX-03-101	LP-16-C09SX-03-101	—	—	—						
		Female	LP-16-J02SX-03-101	LP-16-J03SX-03-101	LP-16-J04SX-03-101	LP-16-J05SX-03-101	LP-16-J07SX-03-101	LP-16-J08SX-03-101	LP-16-J09SX-03-101	—	—	—						
 Optical fiber receptacle	Plastic / Metal	Male	LP-16-C02SX-03-401	LP-16-C03SX-03-401	LP-16-C04SX-03-401	LP-16-C05SX-03-401	LP-16-C07SX-03-401	LP-16-C08SX-03-401	LP-16-C09SX-03-401	—	—	—						
		Female	LP-16-J02SX-03-401	LP-16-J03SX-03-401	LP-16-J04SX-03-401	LP-16-J05SX-03-401	LP-16-J07SX-03-401	LP-16-J08SX-03-401	LP-16-J09SX-03-401	—	—	—						

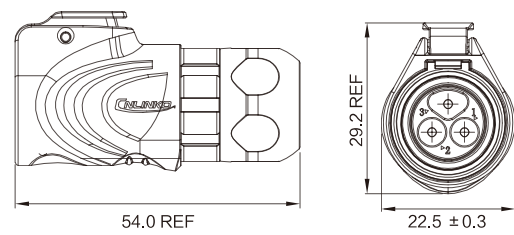
LP-16

LP-16 Datasheet

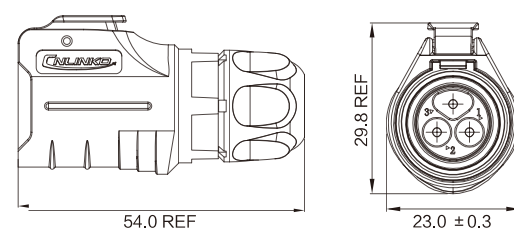
LP16 Power/Signal	Product Series	LP-16																			
	Pin Number	2PIN		3PIN		4PIN		5PIN		7PIN		8PIN		9PIN		RJ45	Optical fiber	—			
	Application Type Section																	—			
	Current Rated	10A					5A					5A					1.5A	—	—		
	Voltage Rated	AC 400V					AC 250V					AC 250V					AC 125V	—	—		
	Cable O.D Range	≤ φ 9.0mm										≤ φ 9.0mm					≤ φ 9.0mm	≤ φ 7.0mm	—		
	Wire Size	1.5mm ² /16AWG					0.5mm ² /20AWG					0.5mm ² /20AWG					—	—	—		
	Protection Level	Standard is IP65, IP67&IP68 Option Available										Standard is IP65, IP67&IP68 Option Available									
Assembly Method	Soldering / Screwing					Soldering					Soldering										
Illustration	Material	Part No										Part No									
Plug 	Metal	Male	LP-16-C02PE-03-001	LP-16-C03PE-03-001	LP-16-C04PE-03-001	LP-16-C05PE-03-001					LP-16-C07PE-03-001	LP-16-C08PE-03-001	LP-16-C09PE-03-001	LP-16-C/RJ45/015/PE-43-001	LP-16-C/MTP/016/PE-41-001	—	—				
		Female	LP-16-J02PE-03-001	LP-16-J03PE-03-001	LP-16-J04PE-03-001	LP-16-J05PE-03-001					LP-16-J07PE-03-001	LP-16-J08PE-03-001	LP-16-J09PE-03-001	—	—	—	—				
In-line receptacle 	Metal + Plastic	Male	LP-16-C02PP-01-001	LP-16-C03PP-01-001	LP-16-C04PP-01-001	LP-16-C05PP-01-001					LP-16-C07PP-01-001	LP-16-C08PP-01-001	LP-16-C09PP-01-001	—	—	—	—				
		Female	LP-16-J02PP-01-001	LP-16-J03PP-01-001	LP-16-J04PP-01-001	LP-16-J05PP-01-001					LP-16-J07PP-01-001	LP-16-J08PP-01-001	LP-16-J09PP-01-001	—	—	—	—				
Single hole straight receptacle 	Metal	Male	LP-16-C02SX-03-101	LP-16-C03SX-03-101	LP-16-C04SX-03-101	LP-16-C05SX-03-101					LP-16-C07SX-03-101	LP-16-C08SX-03-101	LP-16-C09SX-03-101	—	—	—	—				
		Female	LP-16-J02SX-03-101	LP-16-J03SX-03-101	LP-16-J04SX-03-101	LP-16-J05SX-03-101					LP-16-J07SX-03-101	LP-16-J08SX-03-101	LP-16-J09SX-03-101	—	—	—	—				
Four-hole flange receptacle 	Metal	Male	LP-16-C02SX-03-401	LP-16-C03SX-03-401	LP-16-C04SX-03-401	LP-16-C05SX-03-401					LP-16-C07SX-03-401	LP-16-C08SX-03-401	LP-16-C09SX-03-401	—	—	—	—				
		Female	LP-16-J02SX-03-401	LP-16-J03SX-03-401	LP-16-J04SX-03-401	LP-16-J05SX-03-401					LP-16-J07SX-03-401	LP-16-J08SX-03-401	LP-16-J09SX-03-401	LP-16-J/RJ45/210/SX-03-401	LP-16-J/MTP/016/SX-43-001	—	—				

LP-16 Dimension Drawing (unit: mm)

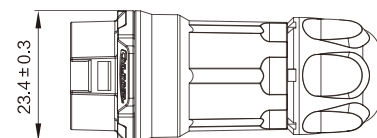
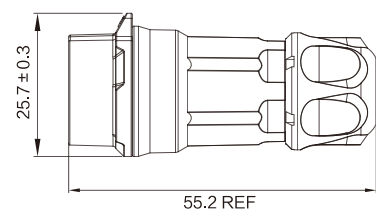
Metal Plug



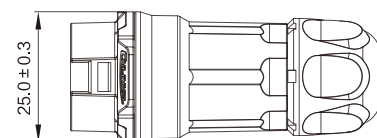
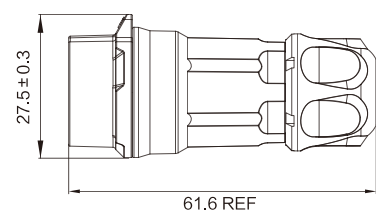
Plastic Plug



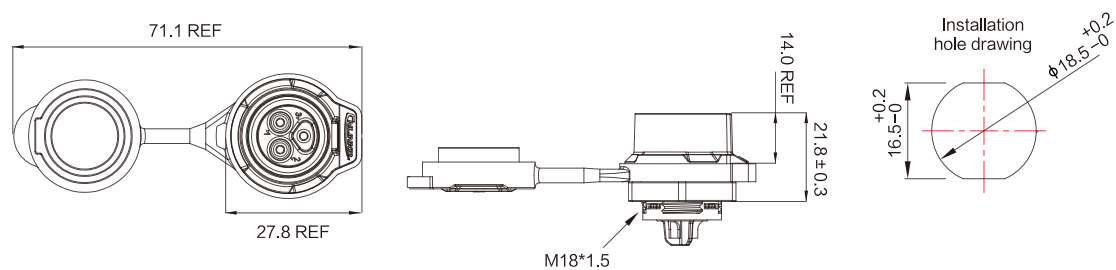
In-line receptacle



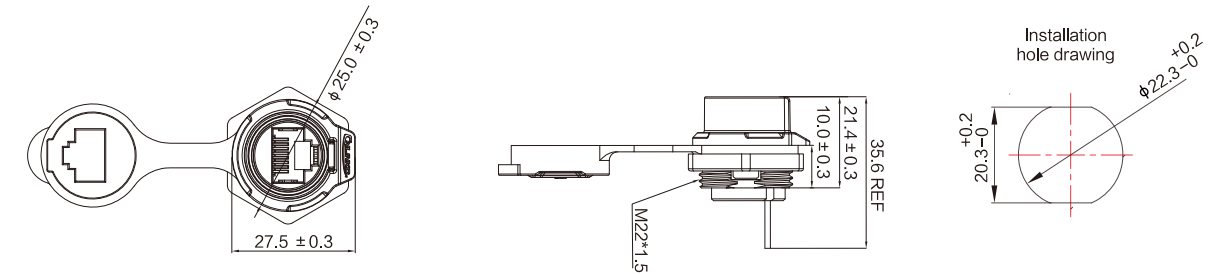
RJ45 In-line receptacle



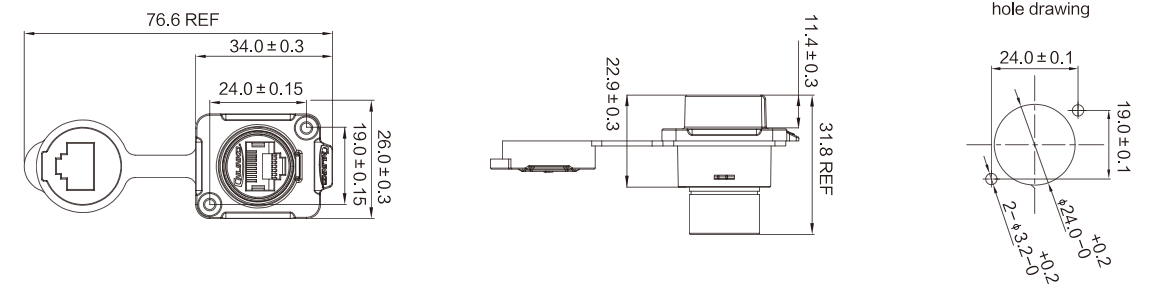
Single hole straight receptacle



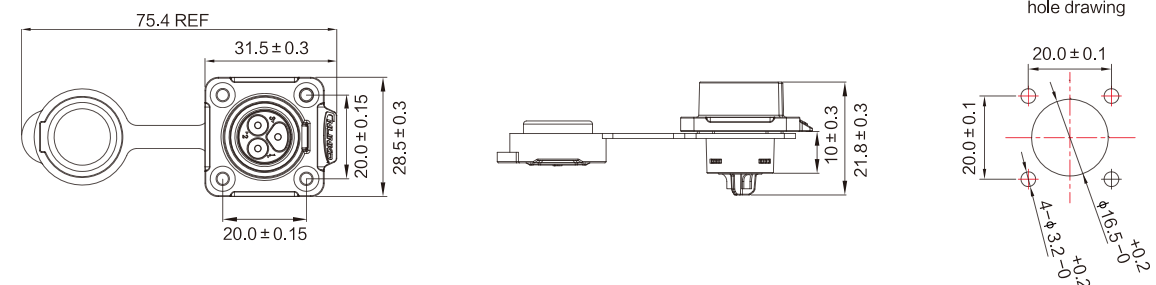
RJ45 Single hole straight receptacle



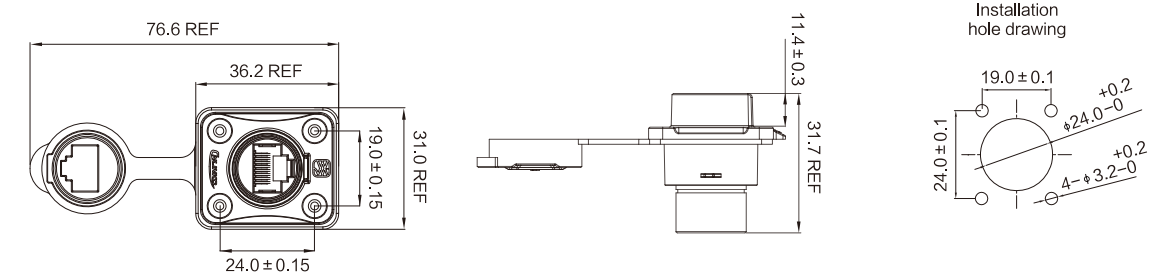
RJ45 Two-hole flange receptacle



Four-hole flange receptacle



RJ45 Four-hole flange receptacle



LP-20 Datasheet

LP-20

LP20 Power/Signal	Product Series	LP-20																			
	Pin Number	2PIN		3PIN		4PIN		5PIN		7PIN		8PIN		9PIN		12PIN		14PIN		—	
	Application Type Section																			—	
	Current Rated	20A						10A		10A		20A+5A		5A						—	
	Voltage Rated	AC 500V						AC 500V		AC 500V		AC 250V		AC 250V						—	
	Cable O.D Range	≤ φ 12.0mm										≤ φ 12.0mm						—			
	Wire Size	4.0mm ² /12AWG						1.5mm ² /16AWG		1.5mm ² /16AWG		4.0mm ² /12AWG 0.5mm ² /20AWG		0.5mm ² /20AWG						—	
	Protection Level	Standard is IP65, IP67&IP68 Option Available										Standard is IP65, IP67&IP68 Option Available									
Assembly Method	Soldering / Screwing										Soldering					Soldering					
Illustration	Material	Part No										Part No									
	Metal + Plastic	Male	LP-20-C02PE-01-001A	LP-20-C03PE-01-001A	LP-20-C04PE-01-001A	LP-20-C05PE-01-001A	LP-20-C07PE-01-001A		LP-20-C08PE-01-051	LP-20-C09PE-01-001A	LP-20-C12PE-01-001A	LP-20-C14PE-01-001A	—								
		Female	LP-20-J02PE-01-002A	LP-20-J03PE-01-003A	LP-20-J04PE-01-002A	LP-20-J05PE-01-002A	LP-20-J07PE-01-002A		LP-20-J08PE-01-051A	LP-20-J09PE-01-002A	LP-20-J12PE-01-002A	LP-20-J14PE-01-001A	—								
	Metal	Male	LP-20-C02PE-03-001A	LP-20-C03PE-03-001A	LP-20-C04PE-03-001A	LP-20-C05PE-03-001A	LP-20-C07PE-03-001A		LP-20-C08PE-03-001A	LP-20-C09PE-03-001A	LP-20-C12PE-03-001A	LP-20-C14PE-03-001A	—								
		Female	LP-20-J02PE-03-001A	LP-20-J03PE-03-001A	LP-20-J04PE-03-001A	LP-20-J05PE-03-001A	LP-20-J07PE-03-001A		LP-20-J08PE-03-001A	LP-20-J09PE-03-001A	LP-20-J12PE-03-001A	LP-20-J14PE-03-001A	—								
	Metal	Male	LP-20-C02SX-03-101A	LP-20-C03SX-03-101A	LP-20-C04SX-03-101A	LP-20-C05SX-03-101A	LP-20-C07SX-03-101A		LP-20-C08SX-03-151	LP-20-C09SX-03-101A	LP-20-C12SX-03-101A	LP-20-C14SX-03-101A	—								
		Female	LP-20-J02SX-03-101A	LP-20-J03SX-03-101A	LP-20-J04SX-03-101A	LP-20-J05SX-03-101A	LP-20-J07SX-03-101A		LP-20-J08SX-03-151	LP-20-J09SX-03-101A	LP-20-J12SX-03-101A	LP-20-J14SX-03-101A	—								
	Metal	Male	LP-20-C02SX-03-201A	LP-20-C03SX-03-201A	LP-20-C04SX-03-201A	LP-20-C05SX-03-201A	LP-20-C07SX-03-201A		LP-20-C08SX-03-251	LP-20-C09SX-03-201A	LP-20-C12SX-03-201A	LP-20-C14SX-03-201A	—								
		Female	LP-20-J02SX-03-201A	LP-20-J03SX-03-201A	LP-20-J04SX-03-201A	LP-20-J05SX-03-201A	LP-20-J07SX-03-201A		LP-20-J08SX-03-251	LP-20-J09SX-03-201A	LP-20-J12SX-03-201A	LP-20-J14SX-03-201A	—								
	Metal	Male	LP-20-C02SX-03-401A	LP-20-C03SX-03-401A	LP-20-C04SX-03-401A	LP-20-C05SX-03-401A	LP-20-C07SX-03-401A		LP-20-C08SX-03-451A	LP-20-C09SX-03-401A	LP-20-C12SX-03-401A	LP-20-C14SX-03-401A	—								
		Female	LP-20-J02SX-03-401A	LP-20-J03SX-03-401A	LP-20-J04SX-03-401A	LP-20-J05SX-03-401A	LP-20-J07SX-03-401A		LP-20-J08SX-03-451	LP-20-J09SX-03-401A	LP-20-J12SX-03-401A	LP-20-J14SX-03-401A	—								

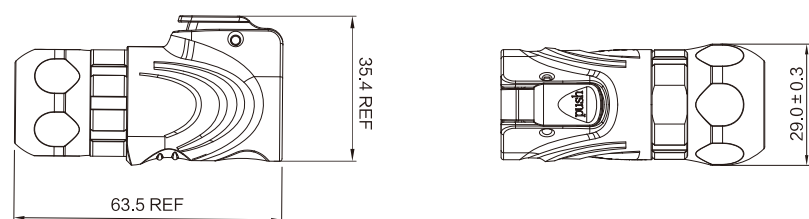
LP-20 Datasheet

LP-20

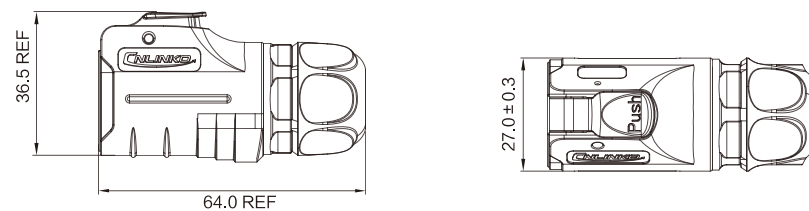
LP20 Power/Signal	Product Series	LP-20																			
	Pin Number	2PIN		3PIN		4PIN		5PIN		7PIN		8PIN		9PIN		12PIN		14PIN		—	
	Application Type Section																			—	
	Current Rated	20A						10A				20A+5A		5A				—			
	Voltage Rated	AC 500V						AC 500V				AC 250V		AC 250V				—			
	Cable O.D Range	≤ φ 12.0mm										≤ φ 12.0mm				—					
	Wire Size	4.0mm ² /12AWG						1.5mm ² /16AWG				4.0mm ² /12AWG 0.5mm ² /20AWG		0.5mm ² /20AWG				—			
	Protection Level	Standard is IP65, IP67&IP68 Option Available										Standard is IP65, IP67&IP68 Option Available									
Assembly Method	Soldering/Screwing										Soldering										
Illustration	Material	Part No										Part No									
	Plastic	Male	LP-20-C02PE-02-001A	LP-20-C03PE-02-001A	LP-20-C04PE-02-001A	LP-20-C05PE-02-001A	LP-20-C07PE-02-001A	LP-20-C08PE-02-051	LP-20-C09PE-02-001A	LP-20-C12PE-02-001A	LP-20-C14PE-02-001A	—									
		Female	LP-20-J02PE-02-001A	LP-20-J03PE-02-001A	LP-20-J04PE-02-001A	LP-20-J05PE-02-001A	LP-20-J07PE-02-001A	LP-20-J08PE-02-051	LP-20-J09PE-02-001A	LP-20-J12PE-02-001A	LP-20-J14PE-02-001A	—									
	Plastic	Male	LP-20-C02PP-02-001A	LP-20-C03PP-02-001A	LP-20-C04PP-02-001A	LP-20-C05PP-02-001A	LP-20-C07PP-02-001A	LP-20-C08PP-02-001A	LP-20-C09PP-02-001A	LP-20-C12PP-02-001A	LP-20-C14PP-02-001A	—									
		Female	LP-20-J02PP-02-001A	LP-20-J03PP-02-001A	LP-20-J04PP-02-001A	LP-20-J05PP-02-001A	LP-20-J07PP-02-001A	LP-20-J08PP-02-001A	LP-20-J09PP-02-001A	LP-20-J12PP-02-001A	LP-20-J14PP-02-001A	—									
	Plastic	Male	LP-20-C02SX-02-101A	LP-20-C03SX-02-101A	LP-20-C04SX-02-101A	LP-20-C05SX-02-101A	LP-20-C07SX-02-101A	LP-20-C08SX-02-151A	LP-20-C09SX-02-101A	LP-20-C12SX-02-101A	LP-20-J12SX-02-101A	—									
		Female	LP-20-J02SX-02-101A	LP-20-J03SX-02-101A	LP-20-J04SX-02-101A	LP-20-J05SX-02-101A	LP-20-J07SX-02-101A	LP-20-J08SX-02-151	LP-20-J09SX-02-101A	LP-20-J12SX-02-101A	LP-20-J14SX-02-101A	—									

LP-20 Dimension Drawing (unit: mm)

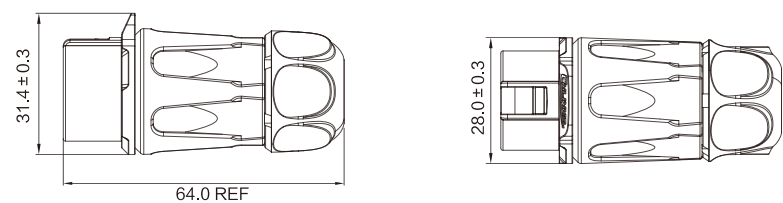
Metal Plug



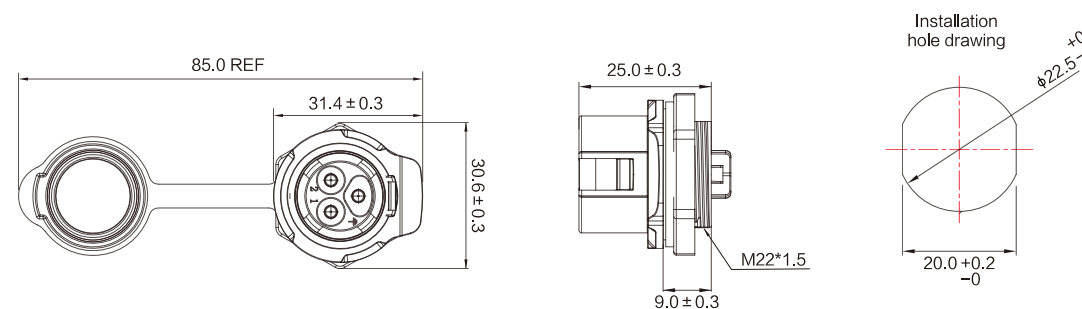
Plastic Plug



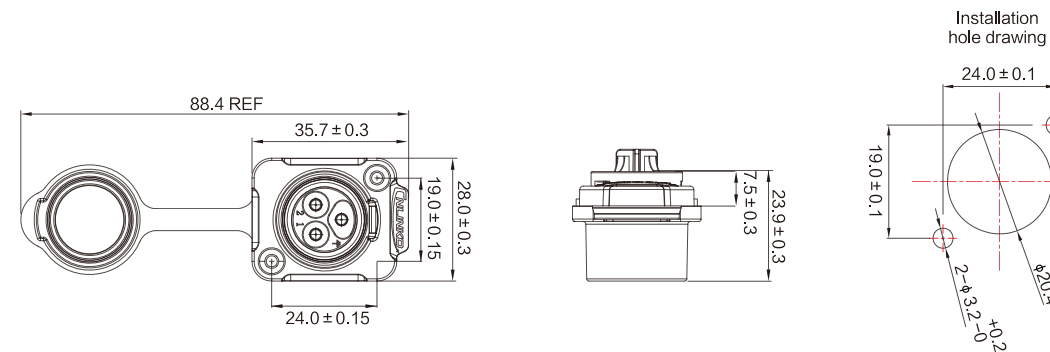
In-line receptacle



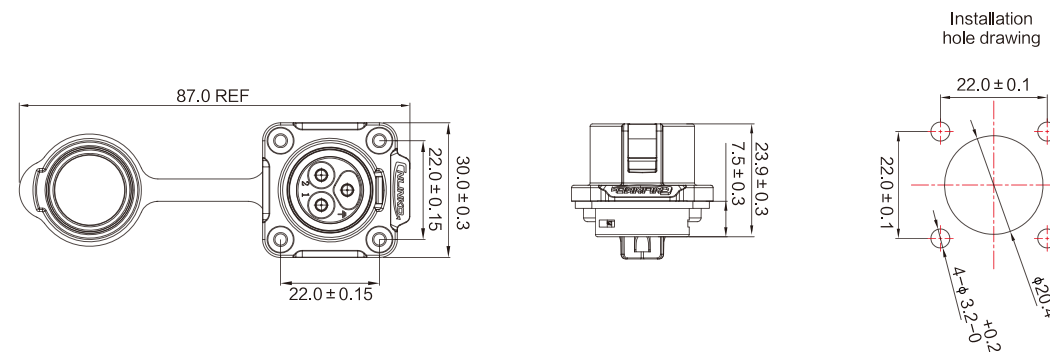
Single hole straight receptacle



Two-hole flange receptacle



Four-hole flange receptacle



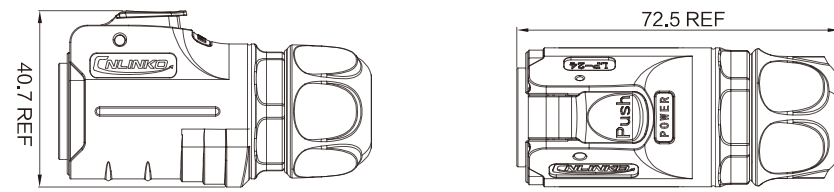
LP-24

LP-24 Datasheet

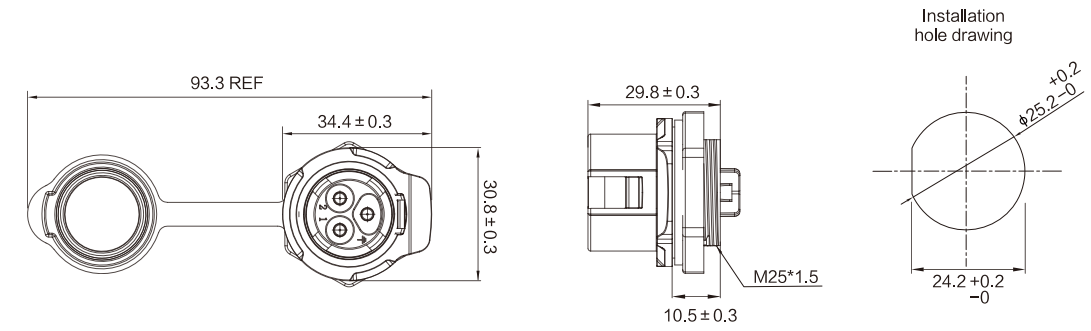
LP24 Power/Signal	Product Series	LP-24													
	Pin Number	2PIN	3PIN		4PIN	10PIN	12PIN		19PIN	24PIN	RJ45	HDMI	USB2.0	USB3.0	Optical fiber
	Application Type Section														
	Current Rated	35A		45A	25A	10A	10A	5A	1.5A	0.5A	500mA	900mA	—		
	Voltage Rated	AC 500V				AC 400V	AC 400V	AC 250V	AC 125V	AC 5V		—			
	Cable O.D Range	≤ φ 14.0mm													
	Wire Size	6.0mm ² /10AWG		8.0mm ² /8AWG	4.0mm ² /12AWG	1.5mm ² /16AWG	1.5mm ² /16AWG	0.5mm ² /20AWG	—		—		—		
	Protection Level	Standard is IP65, IP67&IP68 Option Available							Standard is IP65, IP67&IP68 Option Available						
Assembly Method	Soldering / Screwing					Soldering									
Illustration	Material	Part No													
	Plastic / Metal	Male	LP-24-C02PE-01-035	LP-24-C03PE-01-035	LP-24-C03PE-01-050	LP-24-C04PE-01-001	LP-24-C10PE-01-001A	LP-24-C12PE-01-001A	LP-24-C19PE-01-001A	LP-24-C24PE-01-001A	LP-24-C/RJ45/015/PE-41-001	LP24-HDMI-MP-MP-1M-001	LP-24-C/USB3/016/PE-43-001	LP24-USB3-MP-MP-1M-001	LP-24-C/LC/016/PE-41-004 LP-24-C/LC/016/PE-41-001
		Female	LP-24-J02PE-01-035A	LP-24-J03PE-01-035	LP-24-J03PE-01-050	LP-24-J04PE-01-001	LP-24-J10PE-01-001	LP-24-J12PE-01-001	LP-24-J19PE-01-001	LP-24-J24PE-01-001	—	—	—	—	—
		Male	LP-24-C02PP-01-035	LP-24-C03PP-01-035A	LP-24-C03PP-01-050	LP-24-C04PP-01-001	LP-24-C10PP-01-001	LP-24-C12PP-01-001	LP-24-C19PP-01-001	LP-24-C24PP-01-001	—	—	—	—	—
		Female	LP-24-J02PP-01-035	LP-24-J03PP-01-035A	LP-24-J03PP-01-050	LP-24-J04PP-01-001	LP-24-J10PP-01-001	LP-24-J12PP-01-001	LP-24-J19PP-01-001	LP-24-J24PP-01-001	—	—	—	—	—
		Male	LP-24-C02SX-03-135	LP-24-C03SX-03-135A	LP-24-C03SX-03-150	LP-24-C04SX-03-101	LP-24-C10SX-03-101	LP-24-C12SX-03-101	LP-24-C19SX-03-101	LP-24-C24SX-03-101	—	—	—	—	—
		Female	LP-24-J02SX-03-135	LP-24-J03SX-03-135A	LP-24-J03SX-03-150	LP-24-J04SX-03-101	LP-24-J10SX-03-101	LP-24-J12SX-03-101	LP-24-J19SX-03-101	LP-24-J24SX-03-101	LP-24-J/RJ45/213/SX-43-102A	LP-24-J/HDMI2/213/SX-43-101A	LP-24-J/USB2/213/SX-43-101A	LP-24-J/USB3/213/SX-43-101A	LP-24-J/LC/213/SX-43-101A LP-24-J/LC/213/SX-43-102A
		Male	LP-24-C02SX-03-435	LP-24-C03SX-03-435	LP-24-C03SX-03-450	LP-24-C04SX-03-401	LP-24-C10SX-03-401A	LP-24-C12SX-03-401A	LP-24-C19SX-03-401A	LP-24-C24SX-03-401A	—	—	—	—	—
		Female	LP-24-J02SX-03-435	LP-24-J03SX-03-435	LP-24-J03SX-03-450	LP-24-J04SX-03-401	LP-24-J10SX-03-401A	LP-24-J12SX-03-401A	LP-24-J19SX-03-401A	LP-24-J24SX-03-401A	LP-24-J/RJ45/213/SX-43-408	LP-24-J/HDMI2/213/SX-43-401	LP-24-J/USB2/213/SX-43-101A	LP-24-J/USB3/213/SX-43-401A	LP-24-J/LC/213/SX-43-402 LP-24-J/LC/213/SX-43-401

LP-24 Dimension Drawing (unit: mm)

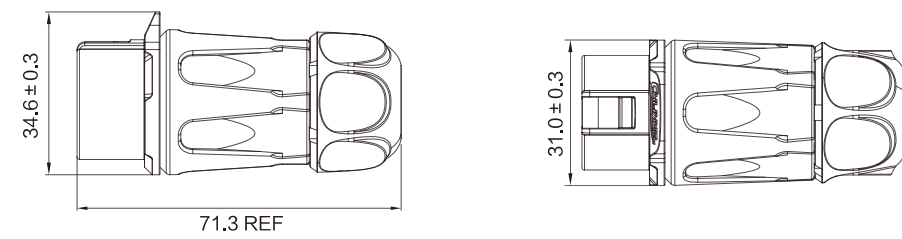
Plug



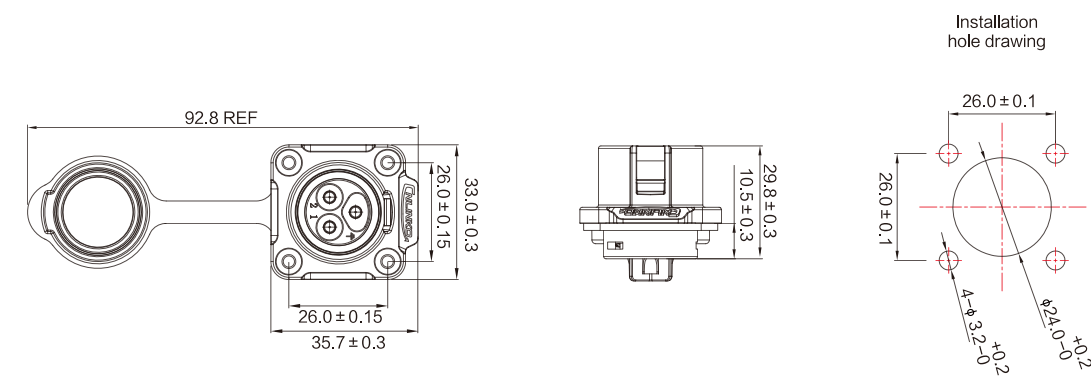
Single hole straight receptacle



In-line receptacle



Four-hole flange receptacle



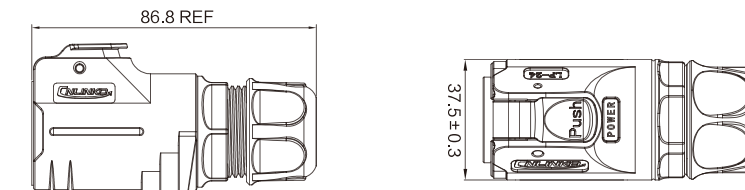
LP-28 Datasheet

LP-28

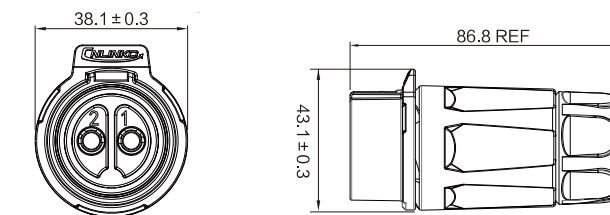
LP-28 Dimension Drawing (unit: mm)

LP28 Power/Signal	Product Series	LP-28			
	Pin Number	2PIN	3PIN	8PIN	
	Application Type Section	Male Female	Male Female	Male Female	
	Current Rated	50A	35A/50A	15A	
	Voltage Rated	AC 500V		AC 300V	
	Cable O.D Range	φ 17.0 ~ φ 20.5mm		φ 13~15mm	
	Wire Size	16mm ² /6AWG	10mm ² /8AWG 16mm ² /6AWG	4.0mm ² /12AWG	
	Protection Level	Standard is IP65, IP67&IP68 Option Available			
	Assembly Method	Screwing / Riveting		Soldering	
Illustration	Material	Part No (Locking wire: LW Riveting: R)			
	Plastic / Metal	Male	LP-28-C02PE-21-001(LW)	LP-28-C03PE-21-001(LW)	LP-28-C08PE-01-001
			LP-28-C02PE-31-003(R)	LP-28-C03PE-31-003(R)	
	Plastic / Metal	Female	LP-28-J02PE-21-001(LW)	LP-28-J03PE-21-001(R)	LP-28-J08PE-01-001
			LP-28-J02PE-31-003(R)	LP-28-J03PE-31-003(R)	
	Plastic / Metal	Male	LP-28-C02PP-21-001(LW)	LP-28-C03PP-21-001(LW)	LP-28-C08PP-01-001
			LP-28-C02PP-31-003(R)	LP-28-C03PP-31-003(R)	
	Plastic / Metal	Female	LP-28-J02PP-21-001(LW)	LP-28-J03PP-21-001(LW)	LP-28-J08PP-01-001
			LP-28-J02PP-31-003(R)	LP-28-J03PP-31-003(R)	
	Plastic / Metal	Male	LP-28-C02SX-23-101(LW)	LP-28-C03SX-23-101(LW)	LP-28-C08SX-03-101
			LP-28-C02SX-33-103(R)	LP-28-C03SX-33-103(R)	
	Plastic / Metal	Female	LP-28-J02SX-23-101(LW)	LP-28-J03SX-23-101(LW)	LP-28-J08SX-03-101
			LP-28-J02SX-33-103(R)	LP-28-J03SX-33-103(R)	
	Plastic / Metal	Male	LP-28-C02SX-23-401(LW)	LP-28-C03SX-23-401(LW)	LP-28-C08SX-03-401
			LP-28-C02SX-33-403(R)	LP-28-C03SX-33-403(R)	
	Plastic / Metal	Female	LP-28-J02SX-23-401(LW)	LP-28-J03SX-23-401(LW)	LP-28-J08SX-03-401
			LP-28-J02SX-33-403(R)	LP-28-J03SX-33-403(R)	

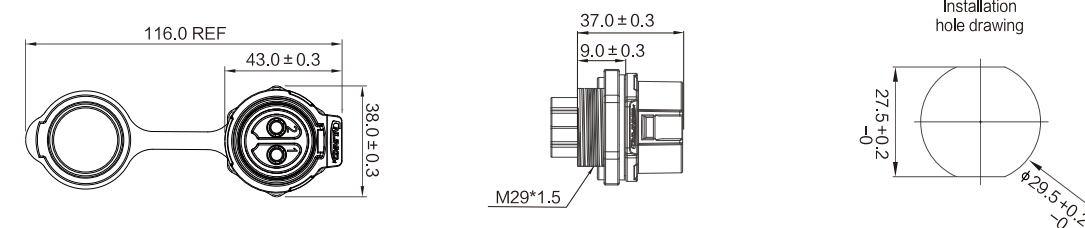
Plug



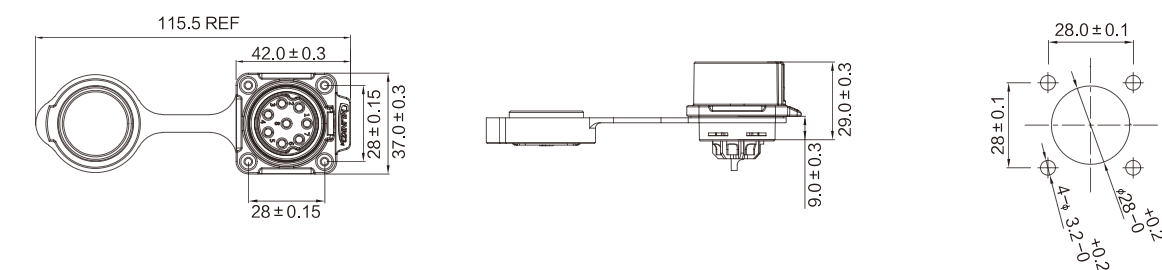
In-line receptacle



Single hole straight receptacle



Four-hole flange receptacle



YM SERIES

YM SERIES

YM Circular Plastic Waterproof Connector



YM waterproof connector application type

Cnlinko's The newest Product YM (M20, M24) series waterproof connectors use PBT engineering performance injection molding material as the component raw material, and the all-plastic shell design, Make the product more anti-corrosion and safer. The whole adopts a unique spring-type rotary locking connection. Sophisticated internal construction, rugged housing construction,It provides a safe and stable connection and transmission performance to ensure the stability of the electrical performance of the device during use.

• Series product information:

Series code:	YM- 20 、 YM- 24
Hole size:	Please refer to the external dimension drawing for detailed hole size.
Application types:	<ul style="list-style-type: none"> Multi-PIN (2,3,4,5,6,7,9,10,12,14,19,24pin and customized 3+2,2+6 pins etc) Signal Type (RJ45, Optical Fiber) Data Type (USB2.0, USB3.0, HDMI)
Material type:	Plastic type

• Introduction:

The Product include power, multi-core, hybrid, USB2.0, USB3.0, HDMI, RJ45, optical fiber eight categories. Adopt military standard three-point screw lock. Plastic dust cover, unique rotary outer ring locking method, can realize one-handed plugging operation.

• Main body material, process and surface treatment:

Shell:	Material: Engineering Plastic Production process: Injection molding
--------	---

• Module material, process and surface treatment:

Contact:	Material: Male/Female Pin (Copper Alloy) Production Process: Machining & Stamping
	Surface Treatment: Gold plated over nickel
LC Fiber Contact Material:	Male/Female end (High Modulus Glass Fiber)
Insulator:	Material: Engineering Plastic Production process: injection molding

• Packaging and Storage:

The product is in a sealed bag, with a small box in the large box, and a label on the small box. The label indicates the product name, model, batch number, and number of products. Packaged products are recommended to be stored in a warehouse with an ambient temperature of 25°C ± 3°C, a relative humidity of ≤72%, and no acidic, alkaline and other corrosive gases in the surrounding air. Other storage environments may affect product life.

• Check the official website YM series area:

Scan the QR code below to check the YM area of CNLINKO's official website. If you have any doubts, you can contact the online customer service for more detailed product information.



QR code of YM series

Applications



YM-20 series products are used in a water wading equipment

Features Overview



High corrosion resistance

The shell is made of high-performance outdoor engineering plastic material, which can adapt to various, highly corrosive application environments.



Light

All-plastic structure design, light weight and sturdy.



Secure connection and secure locking

With bayonet connection and three-point locking structure design, the holding force is large and the connection is super stable.



High protection level

In the connected state, it has the highest protection level of IP68, which can adapt to all kinds of wading or wet environments.

Type and Style



High corrosion resistance

YM series are all plastic models and are made of high-performance engineering plastic materials, which are the first choice in highly corrosive application scenarios.



Flexible installation

YM series has three installation methods: single-hole panel receptacle, four-hole flange receptacle, and wire-to-wire Floating connector.



Multiple wiring modes

YM series provides product types with locking screw and soldering connection. Screw locking is quick and convenient, and soldering is more reliable.

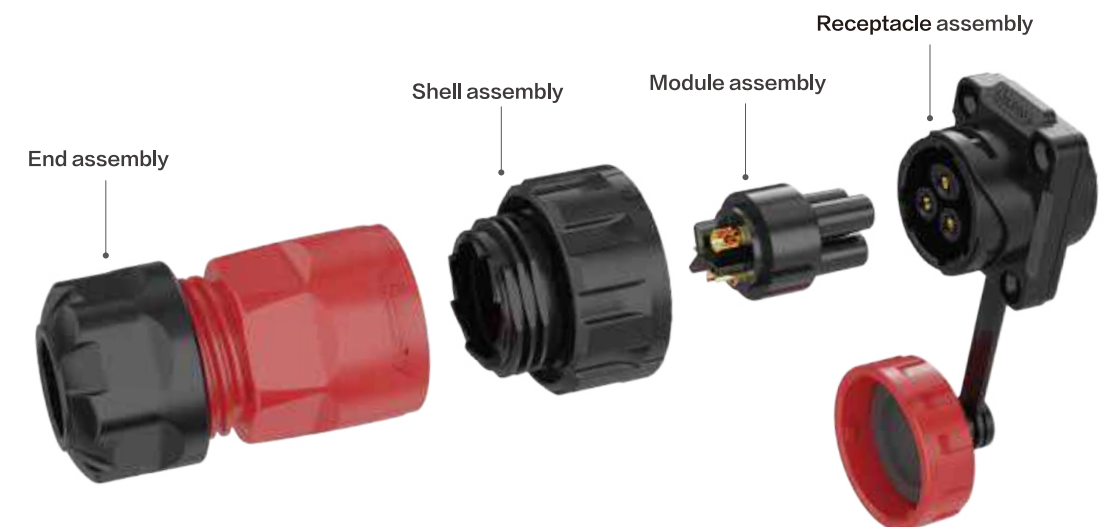


Color customizable

At present, the main colors of YM24 series shells include red, yellow, blue and green. We can also customize other colors to meet the individual needs of users.

Product Structure Image

Dozens of high-quality parts are precisely engaged to ensure the safety and stability of the connector.



Series Infographic



YM-20 Series Information Overview P55

Product application type:	Power: 2/3/4 Pins
	Signal: 5/7/9/12/14 pins
	The working voltage of the power connection can reach 500V, the rated current is 20A (2~4 pin), 10A (5, 7 pin), 5A (9, 12, 14 pin).
Cable O.D:	Multi-pin type: $\leq \Phi 12.0\text{mm}$
Details page:	Product Parameter Map: P55 Dimension Drawing: P57

YM-24 Series Information Overview P59

Product application type:	Power: 2/3/4 pins	Data: USB, HDMI
	Signal: 10/12/19/24 pins, RJ45, Optical fiber	
	The working voltage of the power supply connection can reach 500V, and the rated current is 50A (3 pin), 35A (3 pin), 25A (3/4 pin), 10A (10/12 pin), 5A (19/24 pin).	
Cable O.D:	Multi-pin type: $\leq \Phi 14.0\text{mm}$	Data type: USB、HDMI: $\phi 5.0\sim 7.0\text{mm}$
	Signal type: RJ45、Optical fiber: $\phi 4.5\sim 6.0\text{mm}$	
Details page:	Product Parameter Map: P59	Dimension Drawing: P61

Main feature:

- Multi-style inner core design, multi-PIN, signal RJ45, optical fiber, data USB, HDMI, etc.
- Which has good fire resistance, compression resistance, deformation resistance;
- Gold-plated contacts, high corrosion resistance and electrical conductivity;
- Unique docking design, stable extension of infinite cable length;
- The signal transmission is fast and stable, and the data transmission can reach 10Gbps.



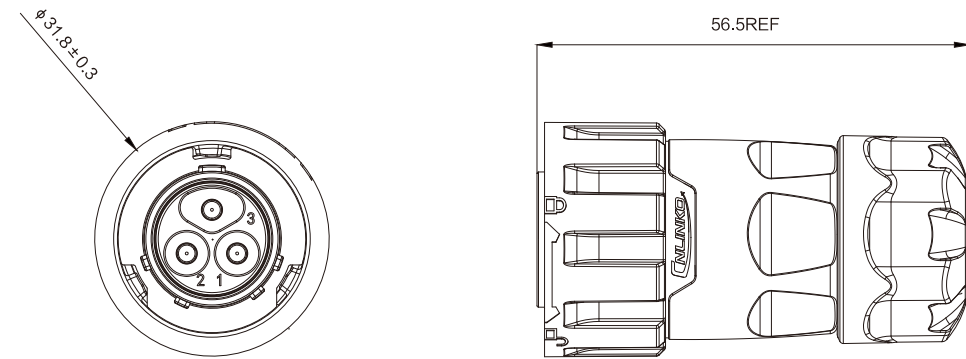
YM-20

YM-20 Datasheet

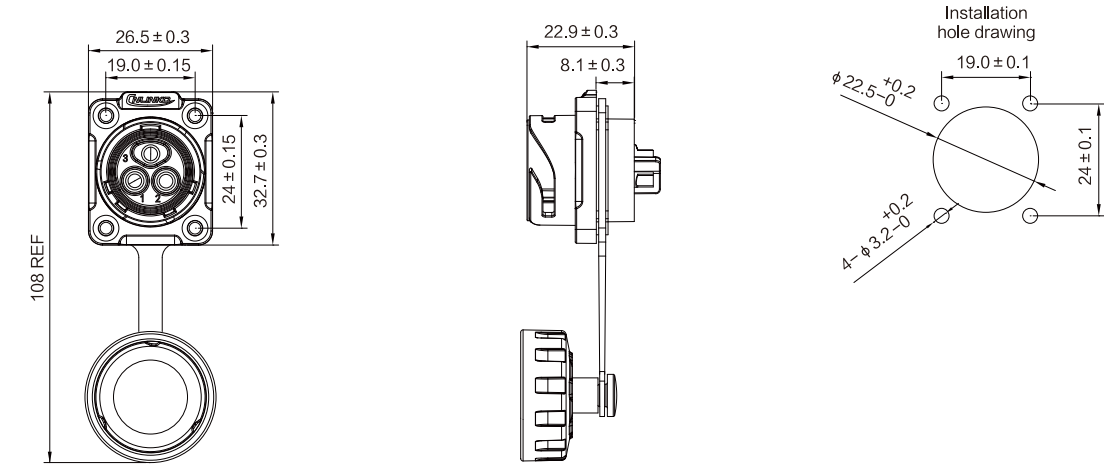
YM20 Power/Signal	Product Series	YM-20																			
	Pin Number	2PIN		3PIN		4PIN		5PIN		7PIN		8PIN		9PIN		12PIN		14PIN			
	Application Type Section																				
	Current Rated	20A						10A		10A		20A+5A		5A							
	Voltage Rated	AC 500V								AC 500V		AC 250V		AC 250V							
	Cable O.D Range	≤ φ 12.0mm										≤ φ 12.0mm									
	Wire Size	4.0mm ² /12AWG						1.5mm ² /16AWG		1.5mm ² /16AWG		4.0mm ² /12AWG 0.5mm ² /20AWG		0.5mm ² /20AWG							
	Protection Level	Standard is IP65, IP67&IP68 Option Available										Standard is IP65, IP67&IP68 Option Available									
Assembly Method	Soldering/Screwing										Soldering										
Illustration(2.0 Version)	Material	Part No										Part No									
Second generation plug	Plastic	Male	YM-20-C02PE-02-002A	YM-20-C03PE-02-002A	YM-20-C04PE-02-002A	YM-20-C05PE-02-002A					YM-20-C07PE-02-002A	YM-20-C08PE-02-051A	YM-20-C09PE-02-002A	YM-20-C12PE-02-002A	YM-20-C14PE-02-002A						
		Female	YM-20-J02PE-02-002A	YM-20-J03PE-02-002A	YM-20-J04PE-02-002A	YM-20-J05PE-02-002A					YM-20-J07PE-02-002A	YM-20-J08PE-02-051A	YM-20-J09PE-02-002A	YM-20-J12PE-02-002A	YM-20-J14PE-02-002A						
In-line receptacle		Male	YM-20-C02PP-02-001A	YM-20-C03PP-02-001A	YM-20-C04PP-02-001A	YM-20-C05PP-02-001A					YM-20-C07PP-02-001A	YM-20-C08PP-02-051A	YM-20-C09PP-02-001A	YM-20-C12PP-02-001A	YM-20-C14PP-02-001A						
		Female	YM-20-J02PP-02-001A	YM-20-J03PP-02-001A	YM-20-J04PP-02-001A	YM-20-J05PP-02-001A					YM-20-J07PP-02-001A	YM-20-J08PP-02-051A	YM-20-J09PP-02-001A	YM-20-J12PP-02-001A	YM-20-J14PP-02-001A						
Single hole straight receptacle		Male	YM-20-C02SX-02-101A	YM-20-C03SX-02-101A	YM-20-C04SX-02-101A	YM-20-C05SX-02-101A					YM-20-C07SX-02-101A	YM-20-C08SX-02-151A	YM-20-C09SX-02-101A	YM-20-C12SX-02-101A	YM-20-C14SX-02-101A						
		Female	YM-20-J02SX-02-101A	YM-20-J03SX-02-101A	YM-20-J04SX-02-101A	YM-20-J05SX-02-101A					YM-20-J07SX-02-101A	YM-20-J08SX-02-151A	YM-20-J09SX-02-101A	YM-20-J12SX-02-101A	YM-20-J14SX-02-101A						
Four-hole flange receptacle		Male	YM-20-C02SX-02-402A	YM-20-C03SX-02-402A	YM-20-C04SX-02-402A	YM-20-C05SX-02-402A					YM-20-C07SX-02-402A	YM-20-C08SX-02-451A	YM-20-C09SX-02-402A	YM-20-C12SX-02-402A	YM-20-C14SX-02-403A						
		Female	YM-20-J02SX-02-402A	YM-20-J03SX-02-402A	YM-20-J04SX-02-402A	YM-20-J05SX-02-402A					YM-20-J07SX-02-402A	YM-20-J08SX-02-451A	YM-20-J09SX-02-402A	YM-20-J12SX-02-402A	YM-20-J14SX-02-402A						

YM SERIES **YM-20 2.0 Version Dimension Drawing** (unit: mm)

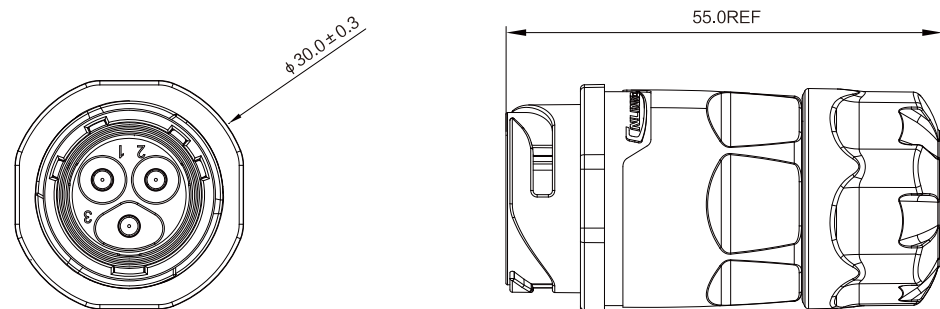
Second generation plug



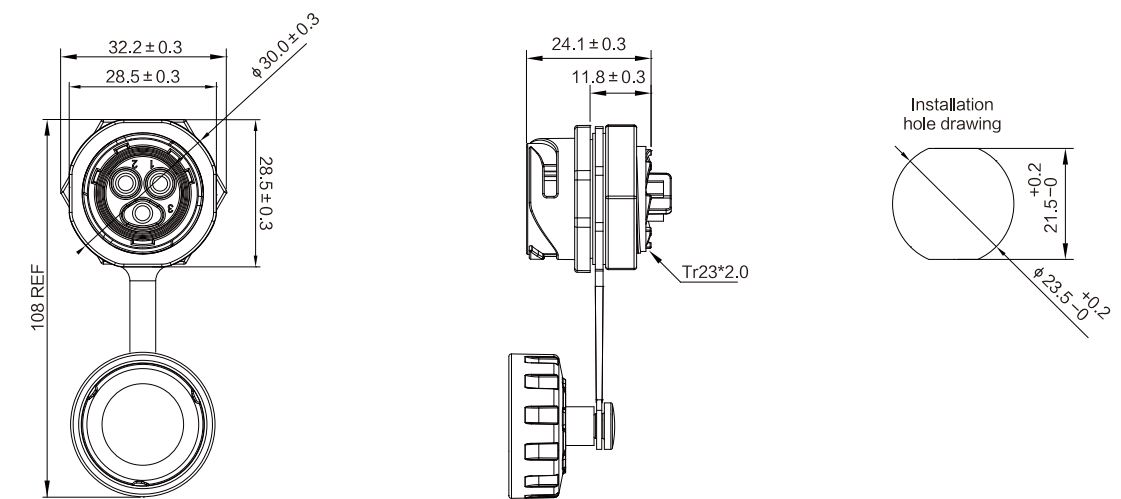
Four-hole flange receptacle



In-line receptacle



Single hole straight receptacle



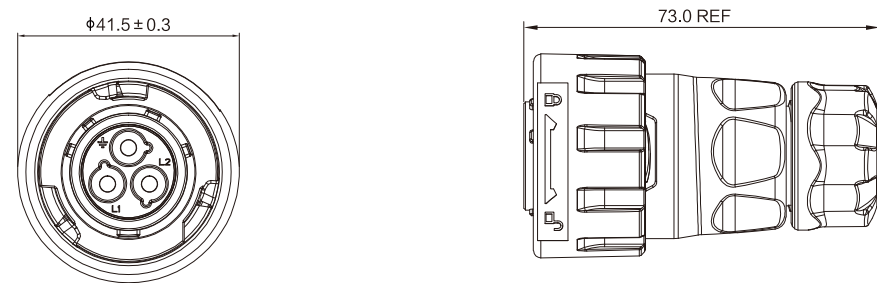
YM-24

YM-24 Datasheet

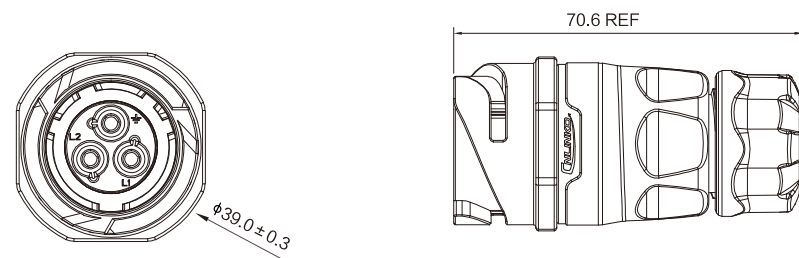
YM24 Power/Signal	Product Series	YM-24																		
	Pin Number	2PIN	3PIN		4PIN		10PIN		12PIN		19PIN		24PIN	RJ45	HDMI	USB2.0	USB3.0	Optical fiber		
	Application Type Section																			
	Current Rated	35A		45A		25A		10A		10A		5A		1.5A	0.5A	500mA	900mA	—		
	Voltage Rated	AC 300V				AC 500V		AC 400V		AC 400V		AC 250V		AC 125V	AC 5V			—		
	Cable O.D Range	≤ ϕ 14.0mm								≤ ϕ 14.0mm				ϕ 5.0~7.0mm				ϕ 4.5~6.0mm		
	Wire Size	4.0mm ² /12AWG		6.0mm ² /10AWG		4.0mm ² /12AWG		1.5mm ² /16AWG		1.5mm ² /16AWG		0.5mm ² /20AWG		—	—	—	—			
	Protection Level	Standard is IP65, IP67&IP68 Option Available										Standard is IP65, IP67&IP68 Option Available								
Assembly Method	Soldering/Screwing							Soldering												
Illustration	Material	Part No																		
	Male	YM-24-C02PE-02-035	YM-24-C03PE-02-035	YM-24-C03PE-02-050	YM-24-C04PE-02-001	YM-24-C10PE-02-001A	YM-24-C12PE-02-001A	YM-24-C19PE-02-001A	YM-24-C03PE-02-050	YM-24-C/RJ45/015/PE-42-001	YM24-HDMI-MP-MP-1M-001	YM-24-C/USB3/016/PE-42-001	YM24-USB3-MP-MP-1M-001	YM-24-C/LC/016/PE-42-002	YM-24-C/LC/016/PE-42-001					
	Female	YM-24-J02PE-02-035	YM-24-J03PE-02-035	YM-24-J03PE-02-050	YM-24-J04PE-02-001	YM-24-J10PE-02-001A	YM-24-J12PE-02-001A	YM-24-J19PE-02-001A	YM-24-J03PE-02-050	—	—	—	—	—	—					
	Male	YM-24-C02PP-02-035	YM-24-C03PP-02-035	YM-24-C03PP-02-050	YM-24-C04PP-02-001	YM-24-C10PP-02-001A	YM-24-C12PP-02-001A	YM-24-C19PP-02-001A	YM-24-C03PP-02-050	—	—	—	—	—						
	Female	YM-24-J02PP-02-035	YM-24-J03PP-02-035	YM-24-J03PP-02-050	YM-24-J04PP-02-001	YM-24-J10PP-02-001A	YM-24-J12PP-02-001A	YM-24-J19PP-02-001A	YM-24-J03PP-02-050	—	—	—	—	—						
	Male	YM-24-C02SX-02-135	YM-24-C03SX-02-135	YM-24-C03SX-02-150	YM-24-C04SX-02-101	YM-24-C10SX-02-101A	YM-24-C12SX-02-101A	YM-24-C19SX-02-101A	YM-24-C03SX-02-150	—	—	—	—	—						
	Female	YM-24-J02SX-02-135	YM-24-J03SX-02-135	YM-24-J03SX-02-150	YM-24-J04SX-02-101	YM-24-J10SX-02-101A	YM-24-J12SX-02-101A	YM-24-J19SX-02-101A	YM-24-J03SX-02-150	YM-24-J/RJ45/213/SX-42-102	YM-24-J/HDMI2/213/SX-42-101	YM-24-J/USB2/213/SX-42-101A	YM-24-J/USB3/213/SX-42-101A	YM-24-J/LC/213/SX-42-102	YM-24-J/LC/213/SX-42-101					
	Male	YM-24-C02SX-02-435	YM-24-C03SX-02-435	YM-24-C03SX-02-450	YM-24-C04SX-02-401	YM-24-C10SX-02-401A	YM-24-C12SX-02-401A	YM-24-C19SX-02-401A	YM-24-C03SX-02-450	—	—	—	—	—						
	Female	YM-24-J02SX-02-435	YM-24-J03SX-02-435	YM-24-J03SX-02-450	YM-24-J04SX-02-401	YM-24-J10SX-02-401A	YM-24-J12SX-02-401A	YM-24-J19SX-02-401A	YM-24-J03SX-02-450	YM-24-J/RJ45/213/SX-42-402	YM-24-J/HDMI2/213/SX-42-401	YM-24-J/USB2/213/SX-42-401A	YM-24-J/USB3/213/SX-42-401A	YM-24-J/LC/213/SX-42-402	YM-24-J/LC/213/SX-42-401					

YM SERIES
YM-24 Dimension Drawing (unit: mm)

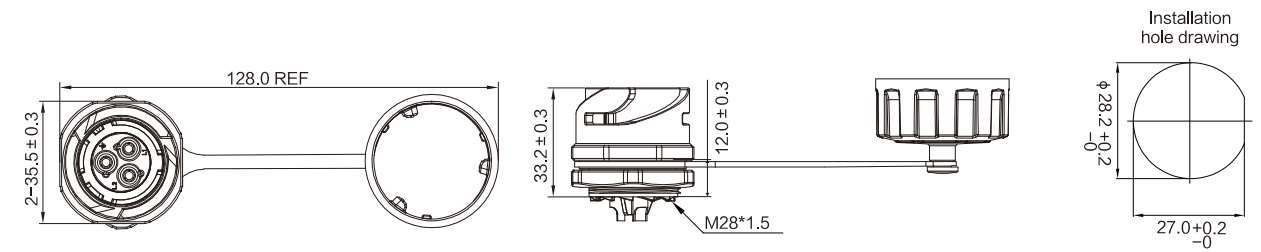
Plug



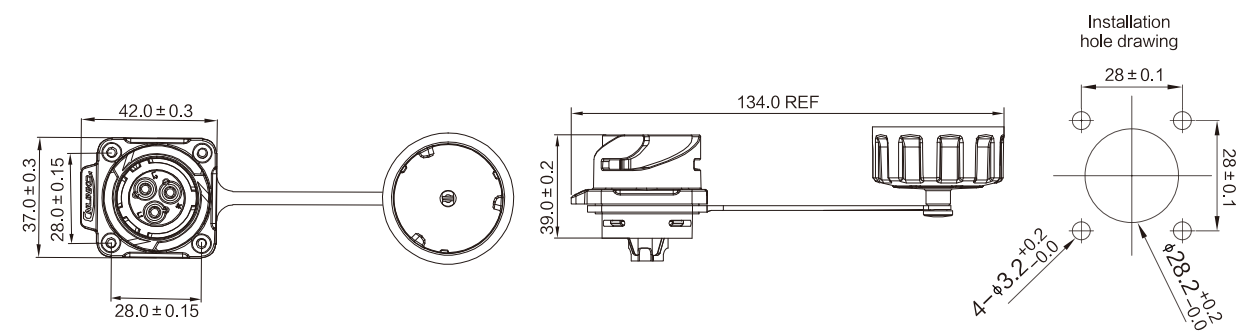
In-line receptacle



Single hole straight receptacle



Four-hole flange receptacle



BD SERIES

BD quick disconnect
Waterproof connector

BD SERIES

BD SERIES



BD waterproof connector application type

CNLINKO's new BD (M20、M24 type) series of waterproof connectors adopts a streamlined dynamic design, one-button device end pressing and quick plugging, to prevent improper manual operation and cause the button fails on the user side, which effectively increases its service life.

• **Series product information:**

Series code:	BD- 20 、 BD- 24
Hole size:	Please refer to the external dimension drawing for detailed hole size.
Application types:	Multiple Pins (2,3,4,5,6,7,8,9,10,12,14,19, 24 pins and customized 3+2, 2+6 pins, etc.) Signal (RJ45, optical fiber) Data (USB2.0, USB3.0, HDMI2.0)
Material type:	Plastic type, metal type

• **Introduction:**

Product types include eight categories, and there are power, multi-core, hybrid, USB2.0, USB3.0, HDMI, RJ45, optical fiber. The metal type uses a zinc alloy shell with high strength; and the plastic type uses engineering plastic shell and is light in weight. The product adopts snap lock, which can be operated with one hand, and easy to operate, safe and reliable.

• **Main body material, process and surface treatment:**

Shell:	Material: Engineering Plastic/Metal Surface treatment: Chrome plating
	Production Process: Injection Molding & Die Casting & Machining Surface

• **Module material, process and surface treatment:**

Contact:	Material: Male/Female Pin (Copper Alloy) Production Process: Machining & Stamping
	Surface Treatment: Gold plated over nickel
LC Fiber Contact Material:	Male/Female end (High Modulus Glass Fiber)
Insulator:	Material: Engineering Plastic Production process: injection molding

• **Packaging and Storage:**

The product is in a sealed bag, with a small box in the large box, and a label on the small box. The label indicates the product name, model, batch number, and number of products. Packaged products are recommended to be stored in a warehouse with an ambient temperature of 25°C ± 3°C, a relative humidity of ≤72%, and no acidic, alkaline and other corrosive gases in the surrounding air. Other storage environments may affect product life.

• **Check the official website BD series area:**

Scan the QR code below to check the BD area of CNLINKO's official website. If you have any doubts, you can contact the online customer service for more detailed product information.



QR code of BD series

Applications



BD-24 series are used in a mechanical equipment control box

Features Overview



Won the German Red Dot Design Award

The BD series won the German Red Dot Design Award. It is a perfect combination of artistic beauty and industrial products, which once again interprets the excellent innovative design concept of CNLINKO.



Built-in design

The connector socket is embedded into the device, reducing the distance between the installation panel and the exposed product, saving external space.



Push-in snap design

The in-line snap design can realize one-hand in-line insertion, quick connection, convenient and efficient.



High protection level

The highest protection level can reach waterproof IP68 when connected, which can adapt to various harsh working conditions.

Type and Style



Two types are available

Plastic and metal types are optional, which can meet the differentiated demands of users for high corrosion resistance, vibration resistance and impact resistance, and high strength.



Flexible installation methods

The BD series has four-hole flanged panel mount sockets and two-hole flanged panel mount sockets for optional. Users can choose them according to actual application scenarios.



A variety of wiring methods

BD series provides product types with locking screw and soldering connection. Screw locking is quick and convenient, and soldering is more reliable.

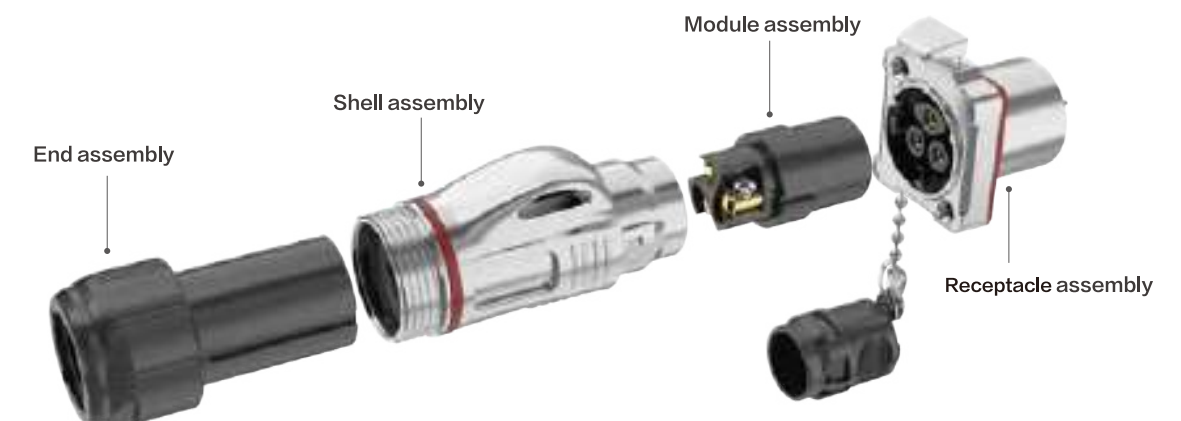


Multi-scene application

The BD series supports various applications such as power supply, data, signal, etc., and the application requirements of various symbols.

Product Structure Image

Dozens of high-quality parts are precisely engaged to ensure the safety and stability of the connector.



Series Infographic



BD-20 Series Information Overview

P69

Product application type:	Power: 2/3/4 pin
	Signal: 5/7/9/12/14 pin
	The working voltage of the power supply connection can reach 500V, and the current rating is 20A (2~4 pins), 10A (5, 7 pins), 5A (9, 12, 14 pins).
Cable O.D:	Multi-pin type: OD ≤ Φ 12.0mm
Details page:	Product Parameter Map: P69 Dimension Drawing: P71

BD-24 Series Information Overview

P73

Product application type:	Power: 2/3/4 pin Signal: 10/12/19/24PIN、RJ45、Optical fiber
	Data: USB, HDMI
	The working voltage of the power supply connection can reach 500V, and the current rating is 45A(3pin)、35A(3pin)、25A(2/3/4pin), 10A(10/12pin), 5A(19/24pin).
Cable O.D:	Multi-pin type: OD ≤ Φ 14.0mm Data type: USB、HDMI: Φ 5.0~Φ 6.5mm
	Signal type: RJ45、Optical fiber: Φ 5.0~Φ 6.5mm
Details page:	Product Parameter Map: P73 Dimension Drawing: P75

Main feature:

- Multi-purpose applicable design (power, data, signal) to meet diverse application needs;
- With strong applicability and complete electromagnetic and radio frequency interference protection;
- Unique integrated streamlined design;
- Gold-plated contacts, high corrosion resistance and electrical conductivity;
- The product meets waterproof IP67 protection level in the connected state.



BD-20 Datasheet

BD-20

BD SERIES

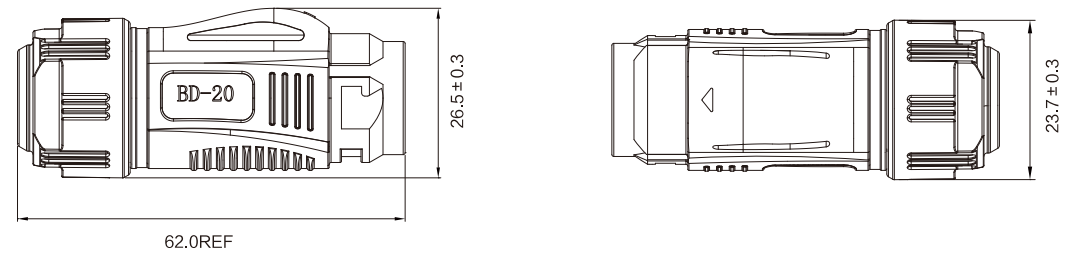
BD SERIES

M20 Power/Signal	Product Series	BD-20																				
	Pin Number	2PIN		3PIN		4PIN		5PIN		7PIN		8PIN		9PIN		12PIN		14PIN		—		
	Application Type Section																			—		
	Current Rated	20A						10A		10A		20A+5A		5A						—		
	Voltage Rated	AC 500V								AC 500V		AC 250V		AC 250V						—		
	Cable O.D Range	≤ φ 12.0mm										≤ φ 12.0mm										—
	Wire Size	24.0mm ² /12AWG						1.5mm ² /16AWG		1.5mm ² /16AWG		4.0mm ² /12AWG 0.5mm ² /20AWG		0.5mm ² /20AWG						—		
	Protection Level	Standard is IP65, IP67&IP68 Option Available										Standard is IP65, IP67&IP68 Option Available										—
Assembly Method	Soldering/Screwing										Soldering										—	
Illustration	Material	Part No										Part No										
	Metal	Male	BD-20-C02PE-03-001A	BD-20-C03PE-03-001A	BD-20-C04PE-03-001A	BD-20-C05PE-03-001A			BD-20-C07PE-03-001A	BD-20-C08PE-03-001A	BD-20-C09PE-03-001A	BD-20-C12PE-03-001A	BD-20-C14PE-03-001A							—		
		Female	BD-20-J02PE-03-001A	BD-20-J03PE-03-001A	BD-20-J04PE-03-001A	BD-20-J05PE-03-001A			BD-20-J07PE-03-001A	BD-20-J08PE-03-001A	BD-20-J09PE-03-001A	BD-20-J12PE-03-001A	BD-20-J14PE-03-001A							—		
		Male	BD-20-C02PE-03-401A	BD-20-C03PE-03-401A	BD-20-C04PE-03-401A	BD-20-C05PE-03-401A			BD-20-C07PE-03-401A	BD-20-C08PE-03-401A	BD-20-C09PE-03-401A	BD-20-C12PE-03-401A	BD-20-C14PE-03-401A							—		
		Female	BD-20-J02PE-03-401A	BD-20-J03PE-03-401A	BD-20-J04PE-03-401A	BD-20-J05PE-03-401A			BD-20-J07PE-03-401A	BD-20-J08PE-03-401A	BD-20-J09PE-03-401A	BD-20-J12PE-03-401A	BD-20-J14PE-03-401A							—		
	Plastic	Male	BD-20-C02PE-02-001A	BD-20-C03PE-02-001A	BD-20-C04PE-02-001A	BD-20-C05PE-02-001A			BD-20-C07PE-02-001A	BD-20-C08PE-02-001A	BD-20-C09PE-02-001A	BD-20-C12PE-02-001A	BD-20-C14PE-02-001A							—		
		Female	BD-20-J02PE-02-001A	BD-20-J03PE-02-001A	BD-20-J04PE-02-001A	BD-20-J05PE-02-001A			BD-20-J07PE-02-001A	BD-20-J08PE-02-001A	BD-20-J09PE-02-001A	BD-20-J12PE-02-001A	BD-20-J14PE-02-001A							—		
		Male	BD-20-C02PE-02-401A	BD-20-C03PE-02-401A	BD-20-C04PE-02-401A	BD-20-C05PE-02-401A			BD-20-C07PE-02-401A	BD-20-C08PE-02-401A	BD-20-C09PE-02-401A	BD-20-C12PE-02-401A	BD-20-C14PE-02-401A							—		
		Female	BD-20-J02PE-02-401A	BD-20-J03PE-02-401A	BD-20-J04PE-02-401A	BD-20-J05PE-02-401A			BD-20-J07PE-02-401A	BD-20-J08PE-02-401A	BD-20-J09PE-02-401A	BD-20-J12PE-02-401A	BD-20-J14PE-02-401A							—		

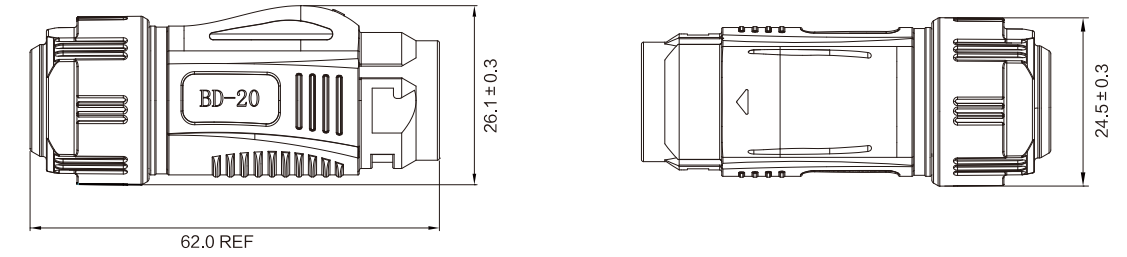
BD-20 Dimension Drawing (unit: mm)

BD SERIES

Metal plug

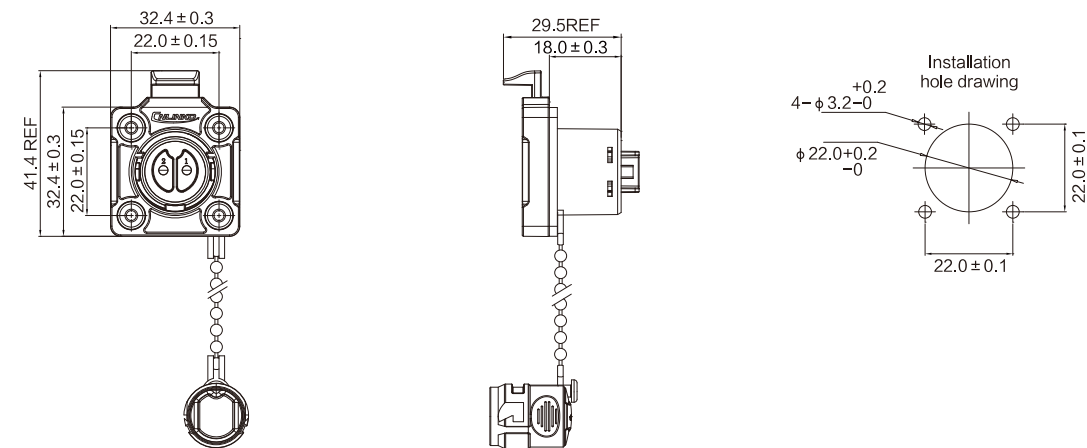


Plastic plug

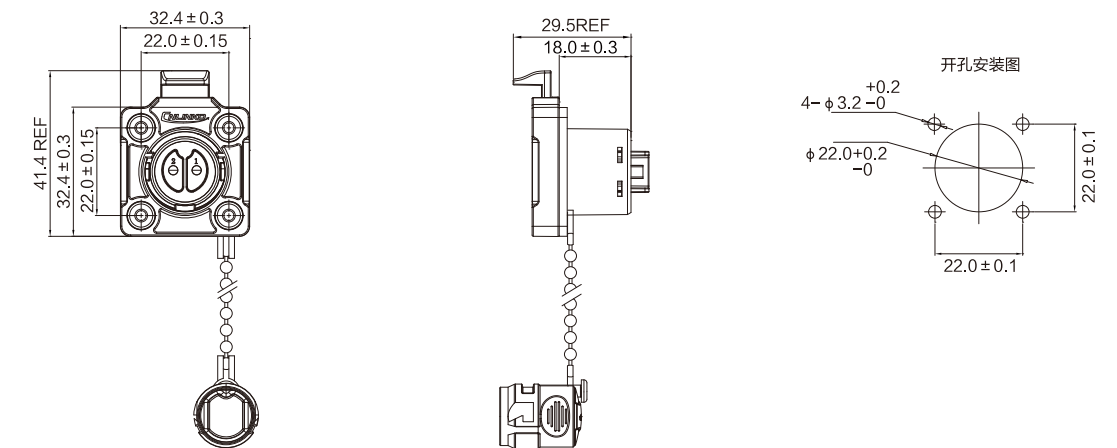


BD SERIES

Metal Four-hole flange receptacle



Plastic Four-hole flange receptacle



BD-24 Datasheet

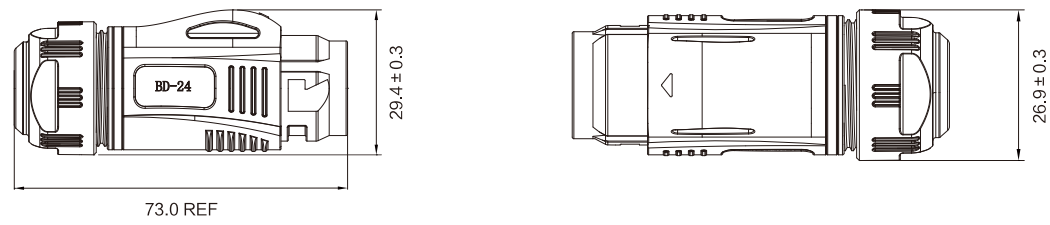
BD-24

M24 Power/Signal	Product Series	BD-24														
	Pin Number	2PIN	3PIN		4PIN	10PIN		12PIN		19PIN	24PIN	RJ45	HDMI	USB2.0	USB3.0	Optical fiber
	Application Type Section															
	Current Rated	35A		45A	25A	10A	10A	5A		1.5A	0.5A	500mA	900mA	—		
	Voltage Rated	AC 300V			AC 500V	AC 400V	AC 400V	AC 250V		AC 125V	AC 5V			—		
	Cable O.D Range	≤ φ 14.0mm						≤ φ 14.0mm			φ 5.5~ φ 7.0mm			φ 4.5~6.0mm		
	Wire Size	6.0mm ² / 10AWG	6.0mm ² / 12AWG	8.0mm ² / 10AWG	8.0mm ² /8AWG	1.5mm ² /16AWG	1.5mm ² /16AWG	0.5mm ² /20AWG		26AWG		28AWG		—		
	Protection Level	Standard is IP65, IP67&IP68 Option Available						Standard is IP65, IP67&IP68 Option Available								
Assembly Method	Soldering/Screwing			Soldering			Soldering									
Illustration	Material	Part No														
	Metal	Male	BD-24-C02PE-03-035	BD-24-C03PE-03-035	BD-24-C03PE-03-050	BD-24-C04PE-03-001	BD-24-C10PE-03-001A	BD-24-C12PE-03-001A	BD-24-C19PE-03-001A	BD-24-C24PE-03-001A	BD-24-C/RJ45/015/PE-43-001A	BD-24-C/HDMI2/016/PE-43-001	BD-24-C/USB3/016/PE-03-001	BD-24-C/USB3/016/PE-03-001	BD-24-C/LC/016/PE-42-002	
		Female	BD-24-J02PE-03-035	BD-24-J03PE-03-035	BD-24-J03PE-03-050	BD-24-J04PE-03-001	BD-24-J10PE-03-001A	BD-24-J12PE-03-001A	BD-24-J19PE-03-001A	BD-24-J24PE-03-001A	—	—	—	—	—	BD-24-C/LC/016/PE-42-002
		Male	BD-24-C02SX-03-235	BD-24-C03SX-03-235	BD-24-C03SX-03-250	BD-24-C04SX-03-201	BD-24-C10SX-03-201A	BD-24-C12SX-03-201A	BD-24-C19SX-03-201A	BD-24-C24SX-03-201A	—	—	—	—	—	BD-24-J/LC/213/SX-42-202
		Female	BD-24-J02SX-03-235	BD-24-J03SX-03-235	BD-24-J03SX-03-250	BD-24-J04SX-03-201	BD-24-J10SX-03-201A	BD-24-J12SX-03-201A	BD-24-J19SX-03-201A	BD-24-J24SX-03-201A	BD-24-J/RJ45/213/SX-43-202	BD-24-J/HDMI2/213/SX-43-201	BD-24-J/USB2/213/SX-43-202A	BD-24-J/USB3/213/SX-43-202A	BD-24-J/USB3/213/SX-43-202A	BD-24-J/LC/213/SX-42-202
		Male	—	—	—	—	—	—	—	—	—	—	—	—	—	BD-24-C/LC/016/PE-43-002
		Female	BD-24-J02SX-03-437	BD-24-J03SX-03-437	BD-24-J03SX-03-450	BD-24-J04SX-03-407	BD-24-J10SX-03-407A	BD-24-J12SX-03-407A	BD-24-J19SX-03-407A	BD-24-J24SX-03-407A	BD-24-J/RJ45/213/SX-43-402	BD-24-J/HDMI2/213/SX-43-407	BD-24-J/USB2/213/SX-43-407A	BD-24-J/USB3/213/SX-43-407A	BD-24-J/USB3/213/SX-43-407A	BD-24-C/LC/016/PE-43-002
	Plastic	Male	BD-24-C02PE-02-035	BD-24-C03PE-02-035	BD-24-C03PE-02-050	BD-24-C04PE-02-001	BD-24-C10PE-02-001A	BD-24-C12PE-02-001A	BD-24-C19PE-02-001A	BD-24-C24PE-02-001A	BD-24-C/RJ45/015/PE-42-001A	BD-24-HDMI-MP-MP-1M-001	BD-24-C/USB3/016/PE-42-001A	BD-24-USB3-MP-MP-1M-001	BD-24-J/LC/213/SX-43-202	
		Female	BD-24-J02PE-02-035	BD-24-J03PE-02-035	BD-24-J03PE-02-050	BD-24-J04PE-02-001	BD-24-J10PE-02-001A	BD-24-J12PE-02-001A	BD-24-J19PE-02-001A	BD-24-J24PE-02-001A	—	—	—	—	—	BD-24-J/LC/213/SX-43-202
		Male	BD-24-C02SX-02-235	BD-24-C03SX-02-235	BD-24-C03SX-02-250	BD-24-C04SX-02-201	BD-24-C10SX-02-201A	BD-24-C12SX-02-201A	BD-24-C19SX-02-201A	BD-24-C24SX-02-201A	—	—	—	—	—	BD-24-J/LC/213/SX-43-201
		Female	BD-24-J02SX-02-235	BD-24-J03SX-02-235	BD-24-J03SX-02-250	BD-24-J04SX-02-201	BD-24-J10SX-02-201A	BD-24-J12SX-02-201A	BD-24-J19SX-02-201A	BD-24-J24SX-02-201A	BD-24-J/RJ45/213/SX-42-202	BD-24-J/HDMI2/213/SX-42-201	BD-24-J/USB2/213/SX-42-202A	BD-24-J/USB3/213/SX-42-202A	BD-24-J/USB3/213/SX-42-202A	BD-24-J/LC/213/SX-43-201

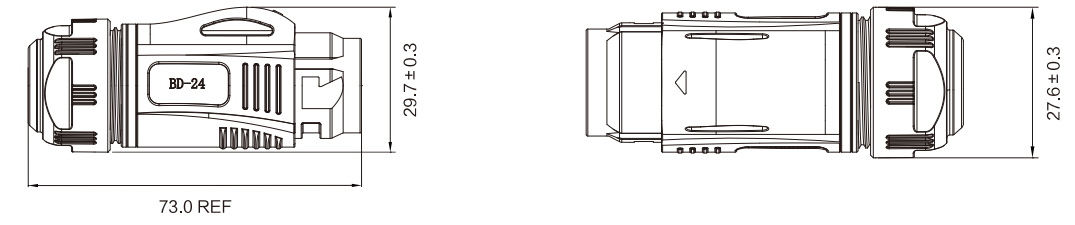
BD-24 Dimension Drawing (unit: mm)

BD SERIES

Metal plug

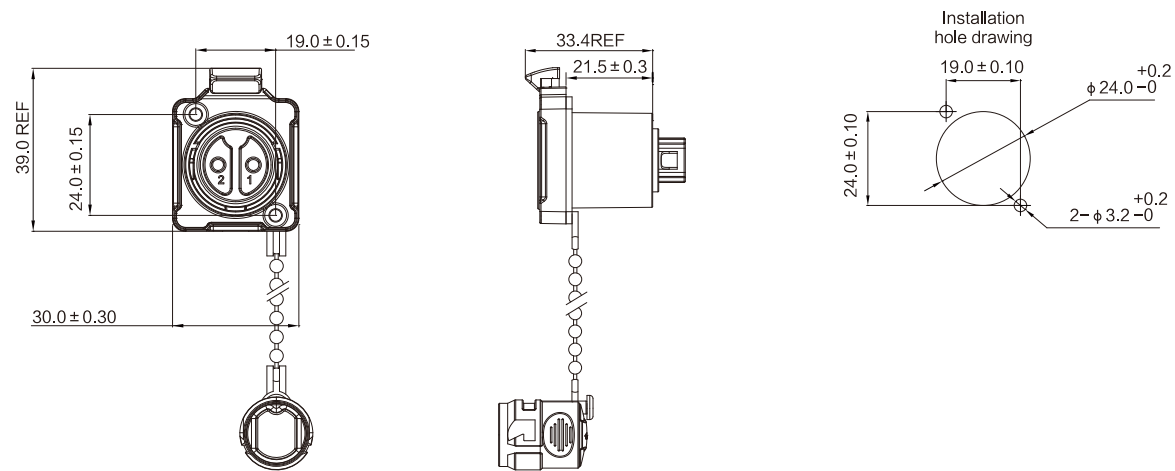


Plastic plug

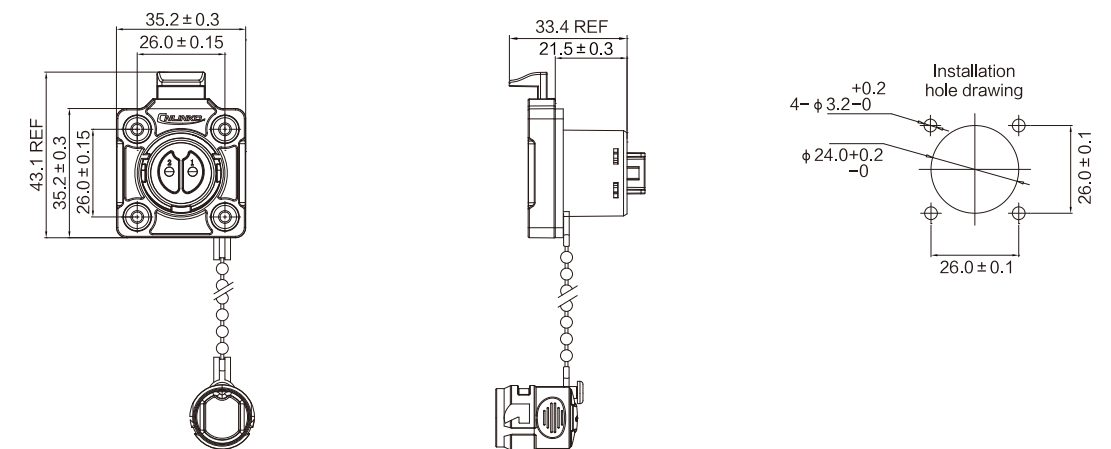


BD SERIES

Two-hole flange receptacle



Four-hole flange receptacle



DH SERIES

Metal circular
Waterproof Connector

DH SERIES

DH SERIES

DH waterproof connector application type

CNLINKO's DH (M20, M24 type) waterproof connector adopts metal shell, and adopts a unique spring-type connection as a whole, and a rotary locking connection. Precise internal construction and sturdy metal shell structure provide safe and stable connection and transmission performance and ensure the stability of the electrical performance of the device during use.

• Series product information:

Series code:	DH-20 、 DH-24
Hole size:	Please refer to the external dimension drawing for detailed hole size.
Application types:	Multi-PIN type (2, 3, 4, 5, 7, 9, 10, 12, 14, 19, 24 pins and customized 3+2, 2+6, etc.) Signal (RJ45, optical fiber) Data (USB2.0, USB3.0, HDMI2.0)
Material type:	Metal type

• Introduction:

Product types include power, multi-core, mixed, USB2.0, USB3.0, HDMI, RJ45, optical fiber total eight categories. Full metal alloy shell, high impact strength, With the completed standard three point screw locking, it can be operated with one hand, which is easy to operate, safe and reliable.

• Main body material, process and surface treatment:

Shell:	Material: Metal	Surface treatment: Chrome plating
	Production Process: Die Casting & Machining	

• Module material, process and surface treatment:

Contact:	Material: Male/Female Pin (Copper Alloy)	Production Process: Machining & Stamping
	Surface Treatment: Gold plated over nickel	
LC Fiber Contact Material:	Male/Female end (High Modulus Glass Fiber)	
Insulator:	Material: Engineering Plastic	Production process: injection molding

• Packaging and Storage:

The product is in a sealed bag, with a small box in the large box, and a label on the small box. The label indicates the product name, model, batch number, and number of products. Packaged products are recommended to be stored in a warehouse with an ambient temperature of 25°C ± 3°C, a relative humidity of ≤72%, and no acidic, alkaline and other corrosive gases in the surrounding air. Other storage environments may affect product life.

• Check the official website DH series area:

Scan the QR code below to check the DH area of CNLINKO's official website. If you have any doubts, you can contact the online customer service for more detailed product information.



QR code of DH series

Applications



DH-20 series products are used in a medical equipment

Features Overview



Strong anti-vibration and anti-shock

The shell is made of all-metal alloy material with high compressive and tensile strength, which can resist the influence of external vibration and shock.



Secure connection and secure locking

With bayonet connection and three-point locking structure design, the retention force is large, and the connection is super stable.



Resistant to high temperature and severe cold

The DH series can adapt to the wide temperature environment of $-40\sim+85^{\circ}\text{C}$, and fully meet the test of the outdoor climate environment.



Visualize color distinction

Four colors to visually distinguish power, signal, fiber and data. Types can be identified at a glance to avoid mis-insertion.

Type and Style



High vibration and impact resistance

All-metal version to meet the requirements of high vibration resistance and shock resistance. DH series are all metal models, made of high-quality high-strength alloy materials, which can be used in vibration and shock environments such as vehicles and workshops.



Flexible installation methods

The DH series has three installation methods: Straight receptacle, Flange receptacle, and Floating connector. Users can choose according to actual application scenarios.



A variety of cable assembly methods

DH series provides product types with screw and welding. The screw is quick and convenient, and the welding is more reliable. The conventional model is a welding model, and it supports customization of the lock screw model.

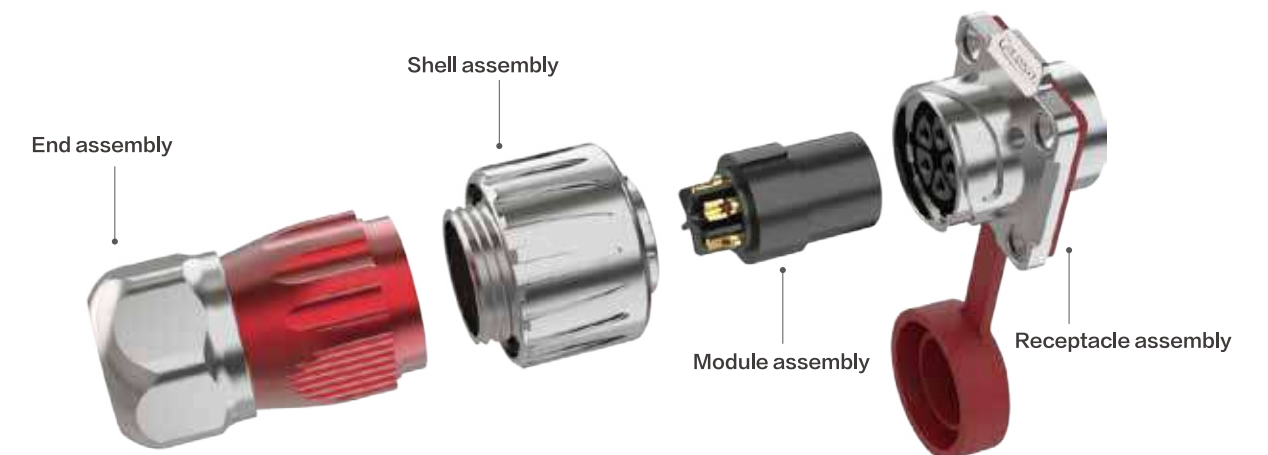


Color can be customized

Color can be customized, your exclusive style. At present, the main colors of the DH series shells include red, yellow, blue, and green. We can also customize other colors to meet the individual needs of users.

Product Structure Image

Dozens of high-quality parts are precisely engaged to ensure the safety and stability of the connector.



Series Infographic

DH SERIES

DH SERIES



DH-20 Series Information Overview P83

Product application type:	Power: 2/3/4 Pin
	Signal: 5/7/9/12/14 pin
	The working voltage of the power connection can reach 300V, the rated current is 20A (2~4 pins), 10A (5, 7 pins), 5A (9, 12, 14 pins).
Cable O.D:	Multi-pin type: OD ≤ Φ 12.0mm
Details page:	Product Parameter Map: P83 Dimension Drawing: P85

DH-24 Series Information Overview P87

Product application type:	Power: 2/3/4 pin	Data: USB, HDMI
	Signal: 10/12/19/24 pin, RJ45, Optical fiber	
	The working voltage of the power supply connection can reach 300V, and the rated current is 45A(3 pins)、35A(2/3 pins)、25A(3/4 pins), 10A(10/12 pins), 5A(19/24 pins).	
Cable O.D:	Multi-pin type: OD ≤ Φ 14.0mm	Data type: USB、HDMI: Φ5.0~Φ6.5mm
	Signal type: RJ45、Optical fiber: Φ5.0~Φ6.5mm	
Details page:	Product Parameter Map: P87 Dimension Drawing: P89	

Main feature:

- Multiple styles of inner core design, multiple PIN types, signal RJ45, optical fiber, data USB, HDMI, etc;
- Adopt military standard three-point screw type tightening connection;
- Effectively reduce electromagnetic and signal RF interference caused by external high current;
- Unique docking design, stable and infinite extension of the cable length;
- The signal transmission is fast and stable, and the data transmission can reach 10Gbps;
- The product complies with the IP67 protection level when connected.



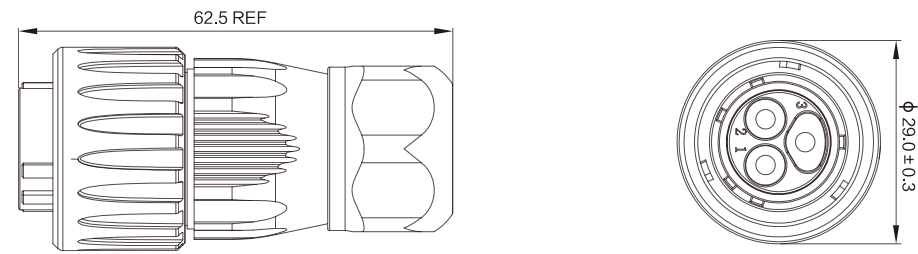
DH-20 Datasheet

DH-20

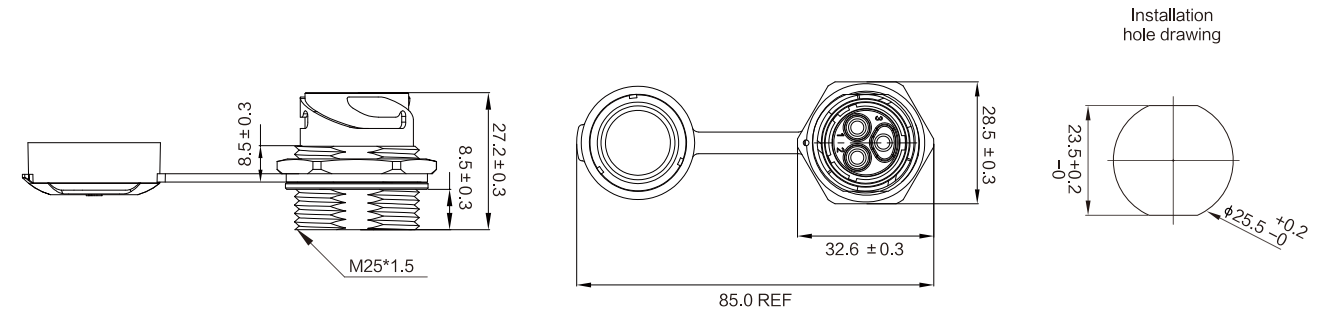
M20 Power/Signal	Product Series	DH-20																			
	Pin Number	2PIN		3PIN		4PIN		5PIN		7PIN		8PIN		9PIN		12PIN		14PIN		—	
	Application Type Section																			—	
	Current Rated	20A						10A		10A		20A+5A		5A						—	
	Voltage Rated	AC 300V								AC 300V		AC 250V		AC 250V						—	
	Cable O.D Range	≤ φ 12.0mm																≤ φ 12.0mm		—	
	Wire Size	4.0mm ² /12AWG						1.5mm ² /16AWG		1.5mm ² /16AWG		4.0mm ² /12AWG 0.5mm ² /20AWG		0.5mm ² /20AWG						—	
	Protection Level	Standard is IP65, IP67&IP68 Option Available										Standard is IP65, IP67&IP68 Option Available									
Assembly Method	Soldering / Screwing										Soldering										
Illustration	Material	Part No										Part No									
plug 	Metal	Male	DH-20-C02PE-03-001A	DH-20-C03PE-03-001A	DH-20-C04PE-03-001A	DH-20-C05PE-03-001A			DH-20-C07PE-03-001A	DH-20-C08PE-03-001A	DH-20-C09PE-03-001A	DH-20-C12PE-03-001A	DH-20-C14PE-03-001A							—	
		Female	DH-20-J02PE-03-001A	DH-20-J03PE-03-001A	DH-20-J04PE-03-001A	DH-20-J05PE-03-001A			DH-20-J07PE-03-001A	DH-20-J08PE-03-001A	DH-20-J09PE-03-001A	DH-20-J12PE-03-001A	DH-20-J14PE-03-001A								—
In-line Receptacle 	Metal	Male	DH-20-C02PP-03-001A	DH-20-C03PP-03-001A	DH-20-C04PP-03-001A	DH-20-C05PP-03-001A			DH-20-C07PP-03-001A	DH-20-C08PP-03-001A	DH-20-C09PP-03-001A	DH-20-C12PP-03-001A	DH-20-C14PP-03-001A							—	
		Female	DH-20-J02PP-03-001A	DH-20-J03PP-03-001A	DH-20-J04PP-03-001A	DH-20-J05PP-03-001A			DH-20-J07PP-03-001A	DH-20-J08PP-03-001A	DH-20-J09PP-03-001A	DH-20-J12PP-03-001A	DH-20-J14PP-03-001A								—
Single hole straight Receptacle 	Metal	Male	DH-20-C02SX-03-101A	DH-20-C03SX-03-101A	DH-20-C04SX-03-101A	DH-20-C05SX-03-101A			DH-20-C07SX-03-101A	DH-20-C08SX-03-101A	DH-20-C09SX-03-101A	DH-20-C12SX-03-101A	DH-20-C14SX-03-101A							—	
		Female	DH-20-J02SX-03-101A	DH-20-J03SX-03-101A	DH-20-J04SX-03-101A	DH-20-J05SX-03-101A			DH-20-J07SX-03-101A	DH-20-J08SX-03-101A	DH-20-J09SX-03-101A	DH-20-J12SX-03-101A	DH-20-J14SX-03-101A								—
Four-hole flange Receptacle 	Metal	Male	DH-20-C02SX-03-401A	DH-20-C03SX-03-401A	DH-20-C04SX-03-401A	DH-20-C05SX-03-401A			DH-20-C07SX-03-401A	DH-20-C08SX-03-401A	DH-20-C09SX-03-401A	DH-20-C12SX-03-401A	DH-20-C14SX-03-401A							—	
		Female	DH-20-J02SX-03-401A	DH-20-J03SX-03-401A	DH-20-J04SX-03-401A	DH-20-J05SX-03-401A			DH-20-J07SX-03-401A	DH-20-J08SX-03-401A	DH-20-J09SX-03-401A	DH-20-J12SX-03-401A	DH-20-J14SX-03-401A								—

DH-20 Dimension Drawing (unit: mm)

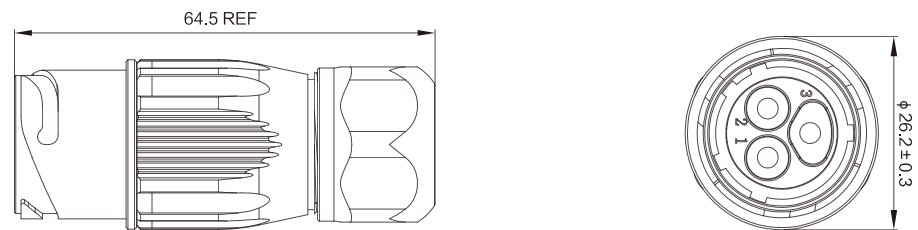
Plastic plug



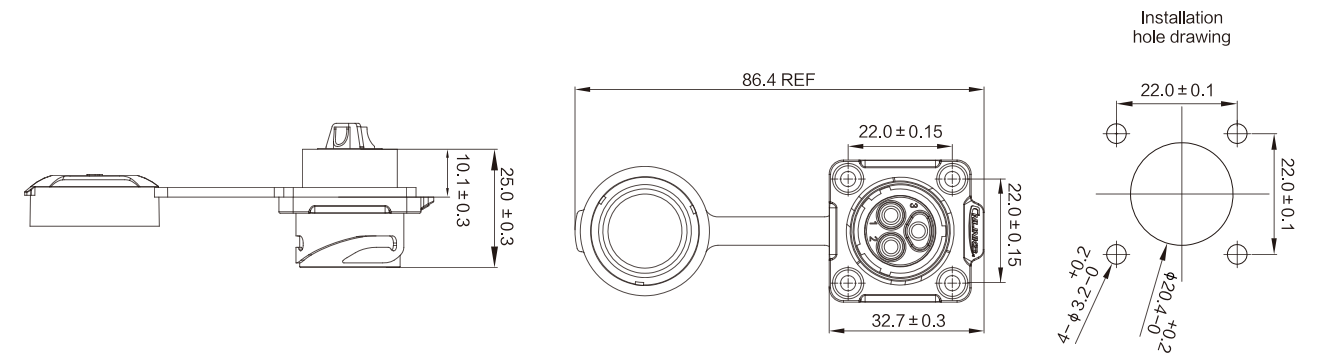
Single hole straight receptacle



In-line receptacle



Four-hole flange receptacle



DH-24 Datasheet

DH-24

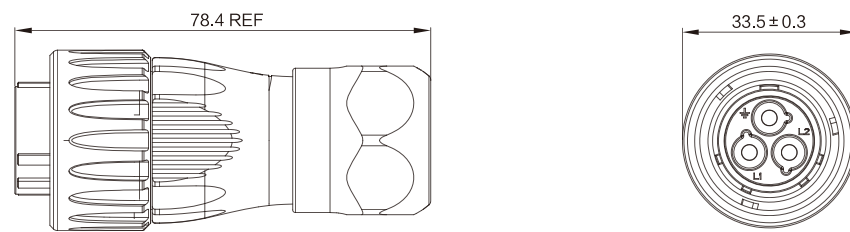
DH SERIES

DH SERIES

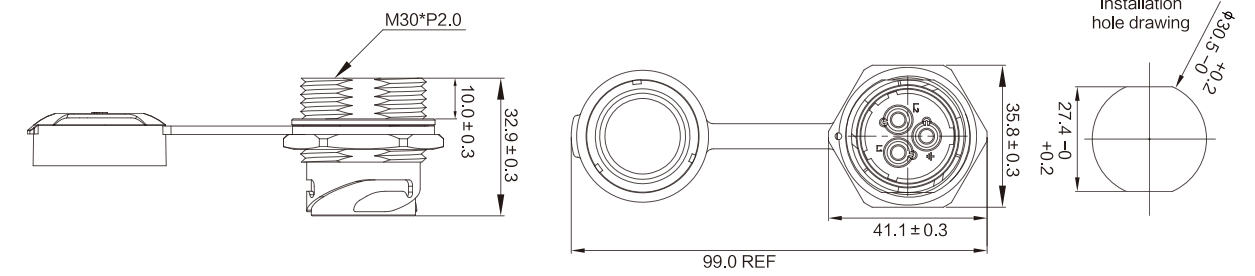
M24 Power/Signal	Product Series	DH-24										DH-24								
	Pin Number	2PIN		3PIN		4PIN		10PIN		12PIN		19PIN		24PIN	RJ45	HDMI	USB2.0	USB3.0	Optical fiber	
	Application Type Section																			
	Current Rated	35A		45A		25A		10A		10A		5A		1.5A	0.5A	500mA	900mA	—		
	Voltage Rated	AC 300V				AC 500V		AC 400V		AC 250V		AC 250V		AC 125V	AC 5V					
	Cable O.D Range	≤ φ 14.0mm										≤ φ 14.0mm				φ 5.0 ~ φ 7.0mm				φ 4.5~6.0mm
	Wire Size	6.0mm ² /10AWG		8.0mm ² /8AWG		4.0mm ² /12AWG		4.0mm ² /12AWG		4.0mm ² /12AWG		0.5mm ² /20AWG		26AWG		28AWG		—		
	Protection Level	Standard is IP65, IP67&IP68 Option Available										Standard is IP65, IP67&IP68 Option Available								
Assembly Method	Soldering/Screwing			Soldering						Soldering										
Illustration	Material	Part No										Part No								
plug 3/4PIN 10/12/19/24PIN	Metal	Male	DH-24-C02PE-03-035	DH-24-C03PE-03-035	DH-24-C03PE-03-050	DH-24-C04PE-03-001	DH-24-C10PE-03-001A			DH-24-C12PE-03-001A	DH-24-C19PE-03-001A	DH-24-C24PE-03-001A	DH-24-C/RJ45/015/PE-43-001	DH24-HDMI-MP-MP-1M-001	DH-24-C/USB3/015/PE-43-001	DH24-USB3-MP-MP-1M-001	DH-24-C/LC/015/PE-43-003	DH-24-C/LC/015/PE-43-002		
		Female	DH-24-J02PE-03-035	DH-24-J03PE-03-035	DH-24-J03PE-03-050	DH-24-J04PE-03-001	DH-24-J10PE-03-001A			DH-24-J12PE-03-001A	DH-24-J19PE-03-001A	DH-24-J24PE-03-001A	—	—	—	—	—	—		
In-line Receptacle 3/4PIN 10/12/19/24PIN	Metal	Male	DH-24-C02PP-03-035	DH-24-C03PP-03-035	DH-24-C03PP-03-050	DH-24-C04PP-03-001	DH-24-C10PP-03-001A			DH-24-C12PP-03-001A	DH-24-C19PP-03-001A	DH-24-C24PP-03-001A	—	—	—	—	—	—		
		Female	DH-24-J02PP-03-035	DH-24-J03PP-03-035	DH-24-J03PP-03-050	DH-24-J04PP-03-001	DH-24-J10PP-03-001A			DH-24-J12PP-03-001A	DH-24-J19PP-03-001A	DH-24-J24PP-03-001A	—	—	—	—	—	—		
Single hole straight Receptacle 	Metal	Male	DH-24-C02SX-03-135	DH-24-C03SX-03-135	DH-24-C03SX-03-150	DH-24-C04SX-03-101	DH-24-C10SX-03-101A			DH-24-C12SX-03-101A	DH-24-C19SX-03-101A	DH-24-C24SX-03-101A	—	—	—	—	—	—		
		Female	DH-24-J02SX-03-135	DH-24-J03SX-03-135	DH-24-J03SX-03-150	DH-24-J04SX-03-101	DH-24-J10SX-03-101A			DH-24-J12SX-03-101A	DH-24-J19SX-03-101A	DH-24-J24SX-03-101A	DH-24-J/RJ45/213/SX-43-106	DH-24-J/HDMI2/213/SX-43-102	DH-24-J/USB2/213/SX-43-101	DH-24-J/USB3/213/SX-43-104	DH-24-J/LC/213/SX-43-102	DH-24-J/LC/213/SX-43-101		
Four-hole flange Receptacle 3/4PIN 10/12/19/24PIN	Metal	Male	DH-24-C02SX-03-435	DH-24-C03SX-03-435	DH-24-C03SX-03-450	DH-24-C04SX-03-401	DH-24-C10SX-03-401A			DH-24-C12SX-03-401A	DH-24-C19SX-03-401A	DH-24-C24SX-03-401A	—	—	—	—	—	—		
		Female	DH-24-J02SX-03-435	DH-24-J03SX-03-435	DH-24-J03SX-03-450	DH-24-J04SX-03-401	DH-24-J10SX-03-401A			DH-24-J12SX-03-401A	DH-24-J19SX-03-401A	DH-24-J24SX-03-401A	DH-24-J/RJ45/213/SX-43-409	DH-24-J/HDMI2/213/SX-43-402	DH-24-J/USB2/213/SX-43-401A	DH-24-J/USB3/213/SX-43-402	DH-24-J/LC/213/SX-43-403	DH-24-J/LC/213/SX-43-401		

DH-24 Dimension Drawing (unit: mm)

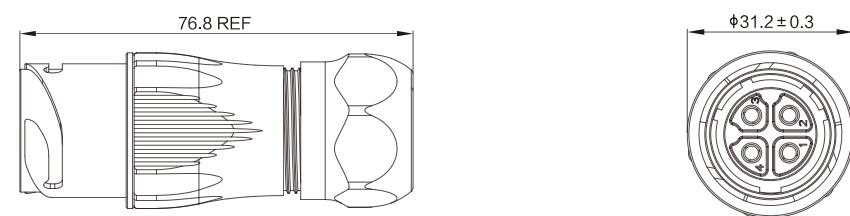
plug



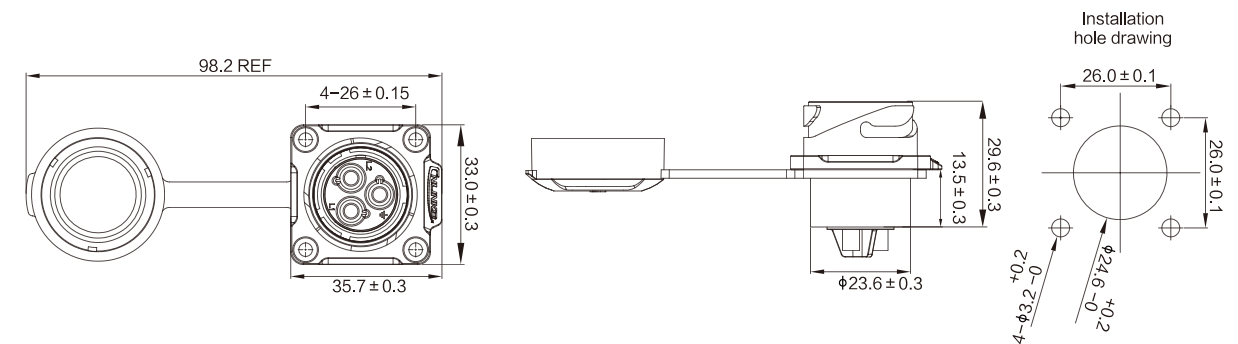
Single hole straight receptacle



In-line receptacle



Four-hole flange receptacle



EV SERIES

Quick Plug Plastic Waterproof Connector

EV SERIES

EV SERIES

EV waterproof connector application type

Linco EV-20 (M-20 type) series connectors, riveted terminal design, meet the needs of mass assembly in factories, adopt a foolproof structure to prevent mis-pressing, improve safety, and the snaps can be divided into colors for visual management.

• **Series product information:**

Series code:	EV- 20
Hole size:	Please refer to the external dimension drawing for detailed hole size.
Application types:	· Multi-PINS (2,3 pins)
Material type:	Plastic type

• **Introduction:**

Product types include 2 pin and 3 pin power supplies. Plastic shell, light weight, good toughness, strong corrosion resistance, riveted terminal design, can be operated with one hand, easy to operate, Safe and reliable.

• **Main body material, process and surface treatment:**

Shell:	Material: Engineering Plastic Production process: Injection molding
--------	---

• **Module material, process and surface treatment:**

Contact:	Material: Male/Female Pin (Copper Alloy) Production Process: Machining & Stamping
	Surface Treatment: Gold plated over nickel
LC Fiber Contact Material:	Male/Female end (High Modulus Glass Fiber)
Insulator:	Material: Engineering Plastic Production process: injection molding

• **Packaging and Storage:**

The product is in a sealed bag, with a small box in the large box, and a label on the small box. The label indicates the product name, model, batch number, and number of products. Packaged products are recommended to be stored in a warehouse with an ambient temperature of 25°C ± 3°C, a relative humidity of ≤72%, and no acidic, alkaline and other corrosive gases in the surrounding air. Other storage environments may affect product life.

Applications



EV-20 series products are used in a communication equipment control box

Features Overview



Reliable waterproof performance

The protection level reaches IP67 in the connected state, providing good electrical protection performance for the equipment.



Stable and secure connection

The riveting type wiring method, the snap lock connection, is convenient, fast, safe and firm.



Product structure diagram

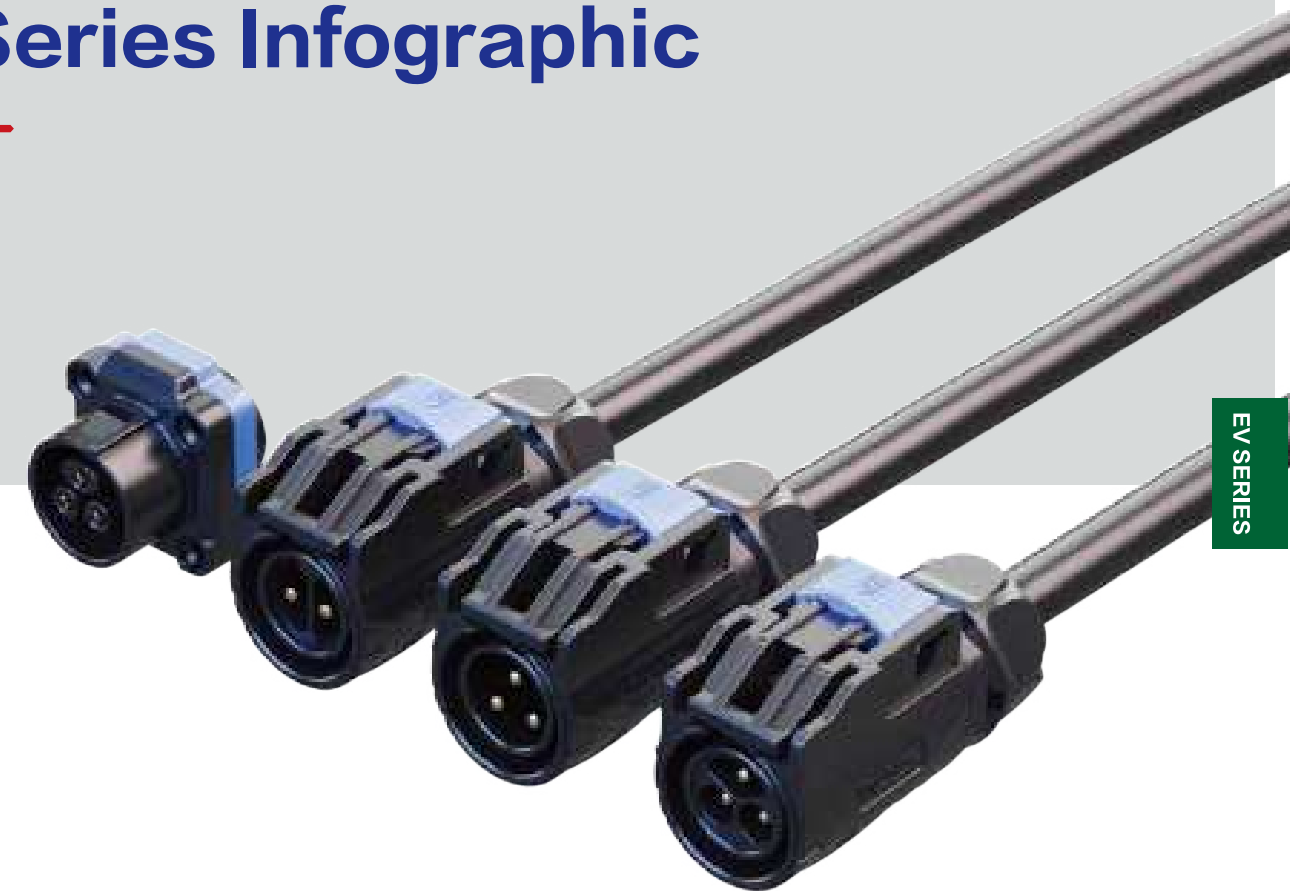
The precise structural positioning system ensures the safety and stability of the connection performance.



Installation method

The socket adopts flange panel installation, which is convenient and stable.

Series Infographic



EV-20 Series Information Overview

P95

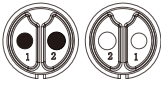
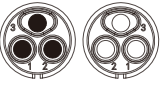
Product application type:	Power: 2/3 Pin The operating voltage of the power connection can reach 500V, and the rated current is 20A(2,3 pin)
Cable O.D:	Multi-pin type: OD ≤ Φ 12.0mm
Details page:	Product Parameter Map: P95 Dimension Drawing: P96

Main feature:

- Multi-purpose applicable design (power, data, signal) to meet diverse application needs;
- Strong applicability and complete electromagnetic and radio frequency interference protection;
- Unique integrated streamlined design;
- Gold-plated contacts, high corrosion resistance and electrical conductivity;
- The product meets the IP67 protection level in the connected state.

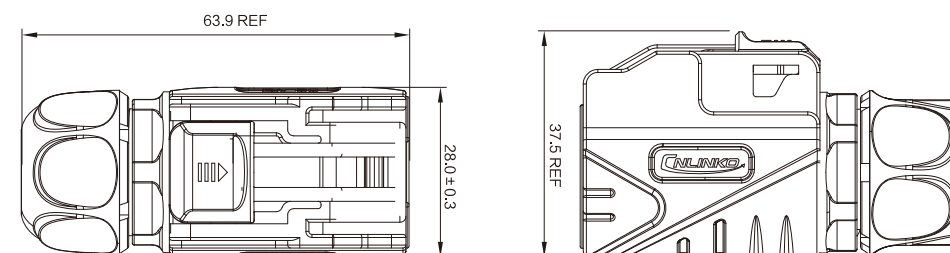
EV-20

EV-20 Datasheet

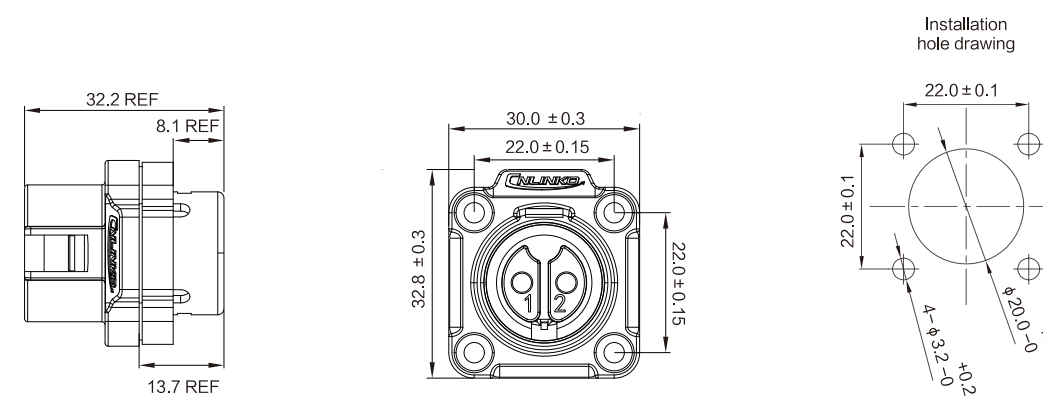
M20 Power	Product Series	EV-20		
	Pin Number	2PIN		3PIN
	Application Type Section	 Male Female		 Male Female
	Current Rated	20A		
	Voltage Rated	AC 500V		
	Wire Size	φ 5.0 ~ φ 12.0mm		
	Protection Level	4.0mm ² /12AWG		
	Protection Level	Standard is IP65, IP67&IP68 Option Available		
	Assembly Method	Riveting/Soldering/Screwing		
Illustration	Material	Part No		
Plug	Plastic	Male	EV-20-C02PE-32-001	EV-20-C03PE-32-001
Four-hole flange receptacle		Female	EV-20-J02SX-32-401	EV-20-J03SX-32-401

EV-20 Dimension Drawing (unit: mm)

Plug



Four-hole flange receptacle



DZ SERIES

DZ Metal Circular Waterproof connector

DZ SERIES

DZ SERIES

DZ waterproof connector application type

CNLINKO's new DZ (M20, M24) series waterproof connectors use metal shells and a unique spring-type rotary locking connection as a whole. Precise internal construction and robust metal shell structure provide safe and stable connection and transmission performance and ensure the stability of the electrical performance of the device during use.

• Series product information:

Series code:	DZ- 20 、 DZ- 24
Hole size:	Please refer to the external dimension drawing for detailed hole size.
Application types:	Multi-pin (2, 3, 4, 5, 7, 9, 10, 12, 14, 19, 24 pins and customized 3+2, 2+6 pins, etc.) Signal (RJ45, optical fiber) Data (USB2.0, USB3.0, HDMI2.0)
Material type:	Metal type

• Introduction:

Product types include power, multi-pin, hybrid, USB2.0, USB3.0, HDMI, RJ45, optical fiber eight categories. All metal shell, high impact strength, effectively reduce the electromagnetic and signal interference caused by external current, adopt military standard three-point screw locking, safe and reliable.

• Main body material, process and surface treatment:

Shell:	Material: Metal	Surface treatment: Chrome plating
	Production Process: Die Casting & Machining	

• Module material, process and surface treatment:

Contact:	Material: Male/Female Pin (Copper Alloy)	Production Process: Machining & Stamping
	Surface Treatment: Gold plated over nickel	
LC Fiber Contact Material:	Male/Female end (High Modulus Glass Fiber)	
Insulator:	Material: Engineering Plastic	Production process: injection molding

• Packaging and Storage:

The product is in a sealed bag, with a small box in the large box, and a label on the small box. The label indicates the product name, model, batch number, and number of products. Packaged products are recommended to be stored in a warehouse with an ambient temperature of 25°C ± 3°C, a relative humidity of ≤72%, and no acidic, alkaline and other corrosive gases in the surrounding air. Other storage environments may affect product life.

Applications



DZ-24 series are used in a monitoring equipment control box

Features Overview



Suitable for a variety of mechanical shock environments

Bayonet technology, adopts three-point screw locking connection, which is safe and stable.



Product Structure

Alloy metal shell, precise process structure.



Various application types available

DZ series has power, signal, optical fiber, data and other application types to choose from, which can meet the different needs of different users.



Flexible installation methods

DZ series has optional installation methods such as Panel Mounting Rear Locking and Flange Mounting. Users can choose according to actual application scenarios.

Series Infographic



DZ-20 Series Information Overview

P101

Product application type:	Power: 2/3/4 pin
	Signal: 5/7/9/12/14 pin
	The working voltage of the power supply connection can reach 500V, and the current rating is 20A (2~4 pins), 10A (5, 7 pins), 10A (8-pins hybrid) 5A (9, 12, 14 pins).
Cable O.D:	Multi-pin type: $\leq \Phi 12.0\text{mm}$
Details page:	Product Parameter Map: P101 Dimension Drawing: P103

DZ-24 Series Information Overview

P105

Product application type:	Power: 2/3/4 pin	Signal: 10/12/19/24PIN、RJ45、Optical fiber
	Data: USB, HDMI	
	The working voltage of the power supply connection can reach 500V, and the current rating is 45A (3 pins), 35A (3 pins), 25A (2/3/4 pins), 10A (10/12 pins), 5A (19/24 pins).	
Cable O.D:	Multi-pin type: $\leq \Phi 12.0\text{mm}$	Data type: USB、HDMI: $\Phi 5.0\sim\Phi 6.5\text{mm}$
	Signal type: RJ45、Optical fiber: $\Phi 5.0\sim\Phi 6.5\text{mm}$	
Details page:	Product Parameter Map: P105	Dimension Drawing: P107

Main feature:

- Multi-style design, multi-PIN, signal RJ45, optical fiber, data USB, HDMI, etc;
- Adopt military standard three-point screw type compression connection;
- Effectively reduce electromagnetic and signal RF interference caused by external high current;
- Unique docking design, stable extension of infinite cable length;
- The signal transmission is fast and stable, and the data transmission can reach 10Gbps.

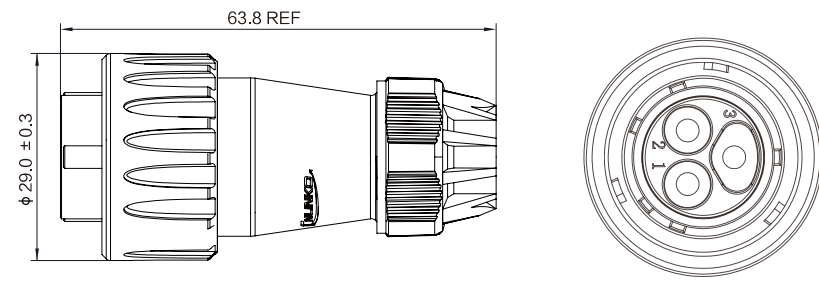
DZ-20 Datasheet

DZ-20

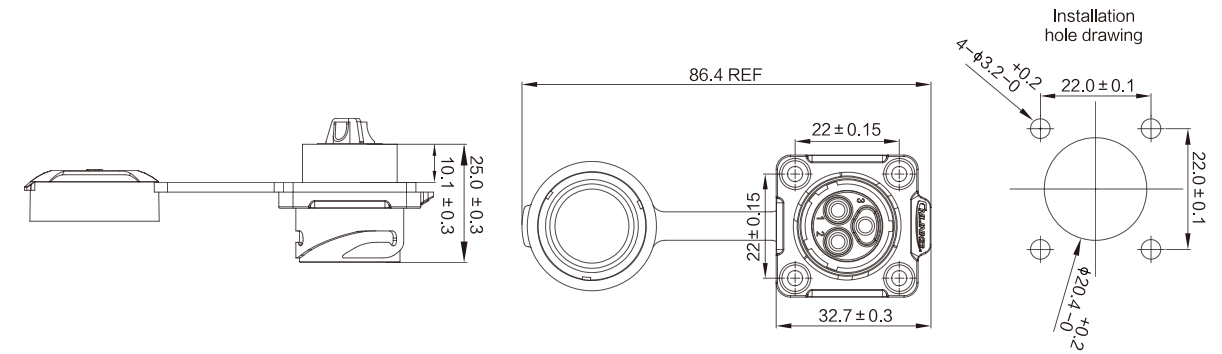
M20 Power/Signal	Product Series	DZ-20																			
	Pin Number	2PIN		3PIN		4PIN		5PIN		7PIN		8PIN		9PIN		12PIN		14PIN		—	
	Application Type Section																			—	
	Current Rated	20A						10A		10A		20A+5A		5A						—	
	Voltage Rated	AC 300V								AC 300V		AC 250V		AC 250V						—	
	Cable O.D Range	≤ φ 12.0mm										≤ φ 12.0mm						—			
	Wire Size	4.0mm ² /12AWG						1.5mm ² /16AWG		1.5mm ² /16AWG		4.0mm ² /12AWG 0.50mm ² /20AWG		0.5mm ² /20AWG						—	
	Protection Level	Standard is IP65, IP67&IP68 Option Available										Standard is IP65, IP67&IP68 Option Available						—			
	Assembly Method	Soldering / Screwing								Soldering / Screwing				Soldering						—	
Illustration	Material	Part No										Part No									
Plug	Metal	Male	DZ-20-C02PE-03-001A	DZ-20-C03PE-03-001A	DZ-20-C04PE-03-001A	DZ-20-C05PE-03-001A			DZ-20-C07PE-03-001A	DZ-20-C08PE-03-001A	DZ-20-C09PE-03-001A	DZ-20-C12PE-03-001A	DZ-20-C14PE-03-001A							—	
		Female	DZ-20-J02PE-03-001A	DZ-20-J03PE-03-001A	DZ-20-J04PE-03-001A	DZ-20-J05PE-03-001A			DZ-20-J07PE-03-001A	DZ-20-J08PE-03-001A	DZ-20-J09PE-03-001A	DZ-20-J12PE-03-001A	DZ-20-J14PE-03-001A							—	
In-line receptacle		Male	DH-20-C02PP-03-001A	DH-20-C03PP-03-001A	DH-20-C04PP-03-001A	DH-20-C05PP-03-001A			DH-20-C07PP-03-001A	DH-20-C08PP-03-002A	DH-20-C09PP-03-001A	DH-20-C12PP-03-001A	DH-20-C14PP-03-001A							—	
		Female	DH-20-J02PP-03-001A	DH-20-J03PP-03-001A	DH-20-J04PP-03-001A	DH-20-J05PP-03-001A			DH-20-J07PP-03-001A	DH-20-J08PP-03-002A	DH-20-J09PP-03-001A	DH-20-J12PP-03-001A	DH-20-J14PP-03-001A							—	
Single hole straight receptacle		Male	DH-20-C02SX-03-101A	DH-20-C03SX-03-101A	DH-20-C04SX-03-101A	DH-20-C05SX-03-101A			DH-20-C07SX-03-101A	DH-20-C08SX-03-102A	DH-20-C09SX-03-101A	DH-20-C12SX-03-101A	DH-20-C14SX-03-101A							—	
		Female	DH-20-J02SX-03-101A	DH-20-J03SX-03-101A	DH-20-J04SX-03-101A	DH-20-J05SX-03-101A			DH-20-J07SX-03-101A	DH-20-J08SX-03-102A	DH-20-J09SX-03-101A	DH-20-J12SX-03-101A	DH-20-J14SX-03-101A							—	
Four-hole flange receptacle		Male	DH-20-C02SX-03-401A	DH-20-C03SX-03-401A	DH-20-C04SX-03-401A	DH-20-C05SX-03-401A			DH-20-C07SX-03-401A	DH-20-C08SX-03-402A	DH-20-C09SX-03-401A	DH-20-C12SX-03-401A	DH-20-C14SX-03-401A							—	
		Female	DH-20-J02SX-03-401A	DH-20-J03SX-03-401A	DH-20-J04SX-03-401A	DH-20-J05SX-03-401A			DH-20-J07SX-03-401A	DH-20-J08SX-03-402A	DH-20-J09SX-03-401A	DH-20-J12SX-03-401A	DH-20-J14SX-03-401A							—	

DZ-20 Dimension Drawing (unit: mm)

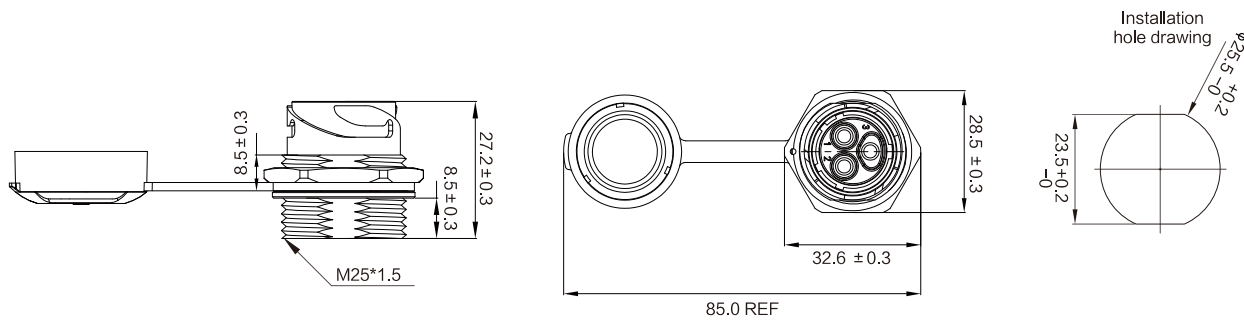
Plug



Four-hole flange receptacle



Single hole straight receptacle



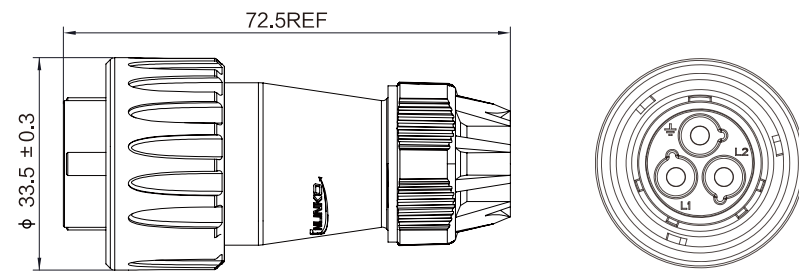
DZ-24 Datasheet

DZ-24

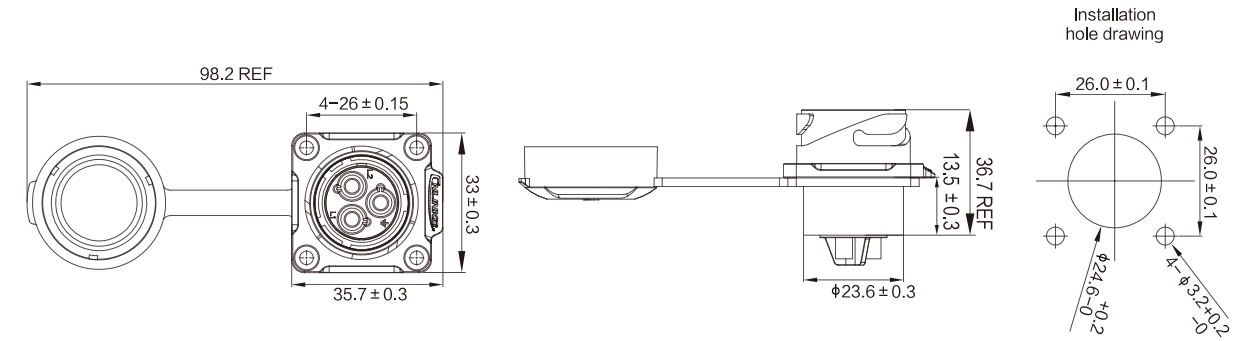
M24 Power/Signal	Product Series	DZ-24										DZ-24			
	Pin Number	2PIN	3PIN		4PIN	10PIN	12PIN		19PIN	24PIN	RJ45	HDMI	USB2.0	USB3.0	Optical fiber
	Application Type Section														
	Current Rated	35A	35A	45A	25A	10A	10A	5A	1.5A	0.5A	500mA	900mA	—		
	Voltage Rated	AC 300V			AC 500V	AC 400V	AC 400V	AC 250V	AC 125V	AC 5V	AC 5V	AC 5V	—		
	Cable O.D Range	≤ φ 12.0mm						≤ φ 12.0mm			φ 5.0 ~ φ 6.5mm				
	Wire Size	6.0mm ² /10AWG		8.0mm ² /8AWG	4.0mm ² /12AWG	1.5mm ² /16AWG	1.5mm ² /16AWG	0.5mm ² /20AWG	—		—		—		
	Protection Level	Standard is IP65, IP67&IP68 Option Available							Standard is IP65, IP67&IP68 Option Available						
	Assembly Method	Soldering / Screwing					Soldering								
Illustration	Material	Part No										Part No			
Plug 	Metal	Male	DZ-24-C02PE-03-035	DZ-24-C03PE-03-035	DZ-24-C03PE-03-050	DZ-24-C04PE-03-001	DZ-24-C10PE-03-001A	DZ-24-C12PE-03-001A	DZ-24-C19PE-03-001A	DZ-24-C24PE-03-001A	DZ-24-C/RJ45/015/PE-43-001	DZ-24-C/HDMI2/016/PE-43-001	DZ-24-C/USB2/016/PE-43-001	DZ-24-C/USB3/016/PE-43-001	DZ-24-C/LC/016/PE-43-002 DZ-24-C/LC/016/PE-43-001
		Female	DZ-24-J02PE-03-035	DZ-24-J03PE-03-035	DZ-24-J03PE-03-050	DZ-24-J04PE-03-001	DZ-24-J10PE-03-001A	DZ-24-J12PE-03-001A	DZ-24-J19PE-03-001A	DZ-24-J24PE-03-001A	—	—	—	—	—
In-line receptacle 3/4芯 10/12/19/24芯		Male	DH-24-C02PP-03-035	DH-24-C03PP-03-035	DH-24-C03PP-03-050	DH-24-C04PP-03-001	DH-24-C10PP-03-001A	DH-24-C12PP-03-001A	DH-24-C19PP-03-001A	DH-24-C24PP-03-001A	—	—	—	—	—
		Female	DH-24-J02PP-03-035	DH-24-J03PP-03-035	DH-24-J03PP-03-050	DH-24-J04PP-03-001	DH-24-J10PP-03-001A	DH-24-J12PP-03-001A	DH-24-J19PP-03-001A	DH-24-J24PP-03-001A	—	—	—	—	—
Single hole straight receptacle 		Male	DH-24-C02SX-03-135	DH-24-C03SX-03-135	DH-24-C03SX-03-150	DH-24-C04SX-03-101	DH-24-C10SX-03-101A	DH-24-C12SX-03-101A	DH-24-C19SX-03-101A	DH-24-C24SX-03-101A	—	—	—	—	—
		Female	DH-24-J02SX-03-135	DH-24-J03SX-03-135	DH-24-J03SX-03-150	DH-24-J04SX-03-101	DH-24-J10SX-03-101A	DH-24-J12SX-03-101A	DH-24-J19SX-03-101A	DH-24-J24SX-03-101A	DH-24-J/RJ45/213/SX-43-106	DH-24-J/HDMI2/213/SX-43-102	DH-24-J/USB2/213/SX-43-101	DH-24-J/USB3/213/SX-43-104	DH-24-J/LC/213/SX-43-102 DH-24-J/LC/213/SX-43-101
Four-hole flange receptacle 3/4芯 10/12/19/24芯		Male	DH-24-C02SX-03-435	DH-24-C03SX-03-435	DH-24-C03SX-03-450	DH-24-C04SX-03-401	DH-24-C10SX-03-401A	DH-24-C12SX-03-401A	DH-24-C19SX-03-401A	DH-24-C24SX-03-401A	—	—	—	—	—
		Female	DH-24-J02SX-03-435	DH-24-J03SX-03-435	DH-24-J03SX-03-450	DH-24-J04SX-03-401	DH-24-J10SX-03-401A	DH-24-J12SX-03-401A	DH-24-J19SX-03-401A	DH-24-J24SX-03-401A	DH-24-J/RJ45/213/SX-43-409	DH-24-J/HDMI2/213/SX-43-402	DH-24-J/USB2/213/SX-43-401A	DH-24-J/USB3/213/SX-43-401A	DH-24-J/LC/213/SX-43-403 DH-24-J/LC/213/SX-43-401

DZ-24 Dimension Drawing (unit: mm)

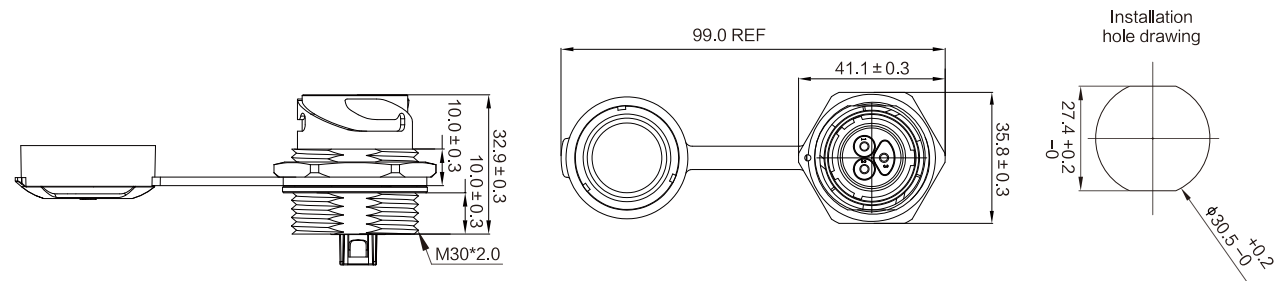
Plug



Four-hole flange receptacle



Single hole straight receptacle



DZ SERIES

DZ SERIES

YA SERIES

Cap Self-locking Waterproof Connector

YA SERIES

YA SERIES

Application Type of YA Waterproof Connector

CNLINKO YA-20 (M-20) series is widely used in industrial LED display, audio, commercial, entertainment, stage equipment, DMX lighting, Industrial equipment with unique bayonet design, rotary locking and easy operation, which includes a series of multi-pin metal connectors, this series not only provides male plug, female Receptacle, can be soldered, simple and reliable quick locking system to ensure complete connection.

• **Series product information:**

Series code:	YA-20
Hole size:	Please refer to the external dimension drawing for detailed hole size.
Application types:	Multi Pins (2、3、4、5、7、9、12、14pins) The working voltage of the power connection can reach 500V, current rated is 20A (2、3、4 pin), 10A (5、7 pin), 5A (9、12、14 pin)
Material type:	Plastic Type + Metal Type、Metal Type

• **Introduction:**

Product types include power 2, 3, 4, 5, 7, 9, 12, 14 pin. Metal Type uses a zinc alloy shell, which has high strength; the plastic type uses an engineering plastic shell, which is light in weight. The socket adopts the automatic flip protection function, which is easy to operate, safe and stable.

• **Main body material, process and surface treatment:**

Shell:	Material: Engineering Plastic/Metal Surface Treatment: chrome plating
	Production Process: Injection Molding & Die Casting & Machining

• **Module material, process and surface treatment:**

Contact:	Material: Male/Female Pin (Copper Alloy) Production Process: Machining & Stamping
	Surface Treatment: Gold plated over nickel
Insulator:	Material: Engineering Plastic Production process: injection molding

• **Packaging and Storage:**

The product is in a sealed bag, with a small box in the large box, and a label on the small box. The label indicates the product name, model, batch number, and number of products. Packaged products are recommended to be stored in a warehouse with an ambient temperature of 25°C ± 3°C, a relative humidity of ≤72%, and no acidic, alkaline and other corrosive gases in the surrounding air. Other storage environments may affect product life.

• **Check the official website YA series area:**

Scan the QR code below to check the YA area of CNLINKO's official website. If you have any doubts, you can contact the online customer service for more detailed product information.



QR code of YA series

Applications



YA-20 series products are used in a control box of an automation equipment

Features Overview



Bayonet locking connection

YA series adopts Bayonet locking connection, which is convenient, fast, safe and firm.



Cap self-locking protective cover

The automatic flip-top dust protection cover effectively protects the internal structure of the Receptacle in real time.



Schematic diagram of product structure

The precise structural positioning system ensures the safety and stability of the connection performance.



Installation method

The Receptacle adopts two-hole and single-hole panel installation, which is convenient and stable; it can be used for front or rear connection.

Series Infographic



YA-20 Series Information Overview

P113

Product application type:	Power: 2/3/4 Pin	Signal type: $\Phi 5.0\sim\Phi 6.5\text{mm}$
	Signal: 5/7/9/12/14 Pin	
Cable O.D:	Multi-pin type: $\leq \Phi 12.0\text{mm}$	Dimension Drawing: P113
Details page:	Product Parameter Map: P113	

Main feature:

- Use plastic and alloy external protective materials to effectively reduce electromagnetic and signal radio frequency interference generated by external high currents;
- Gold-plated contacts, high-strength corrosion resistance and electrical conductivity, can effectively cope with the temperature rise caused by the current;
- The automatic flip-proof dust protection cover can effectively protect the internal components of the socket in real time;
- Current Rated:5A/10A/20A ;
- The product meets the IP67 protection level when connected.

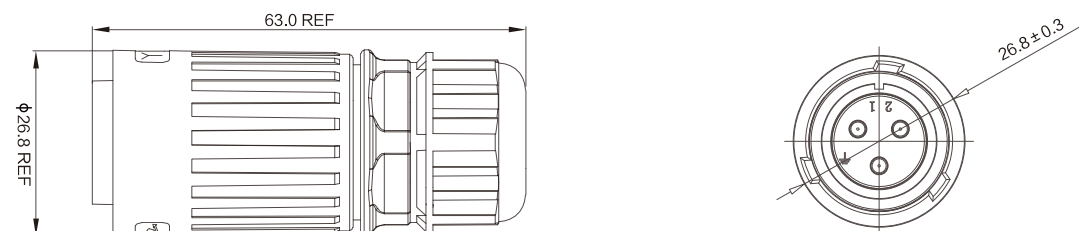
YA-20

YA-20 Datasheet

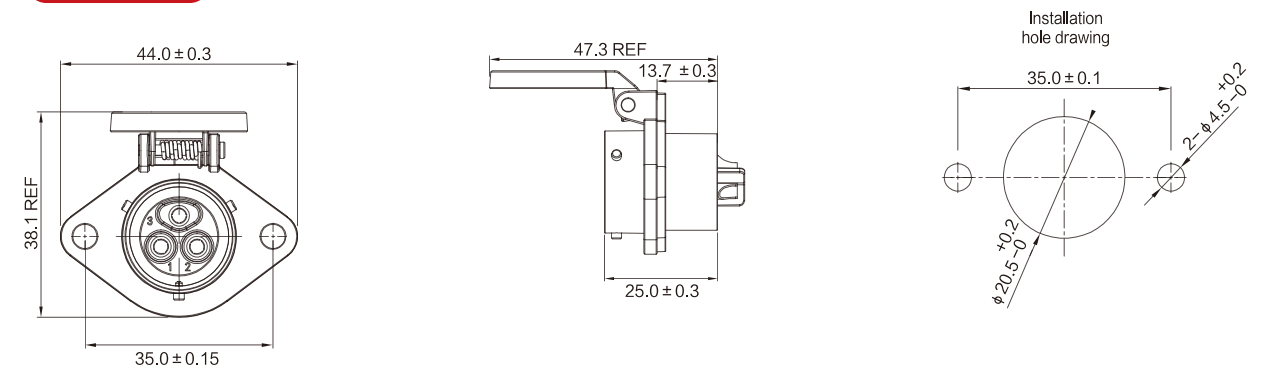
M20 Power/Signal	Product Series	YA-20					YA-20					
	Pin Number	2PIN	3PIN	4PIN	5PIN	7PIN	8PIN	9PIN	12PIN	14PIN	—	
	Application Type Section	Male Female	Male Female	Male Female	Male Female	Male Female	Male Female	Male Female	Male Female	Male Female	—	
	Current Rated	20A				10A	10A	20A+5A	5A			—
	Voltage Rated	AC 500V				AC 500V		AC 250V	AC 250V			—
	Cable O.D Range	≤ φ 12.0mm							≤ φ 12.0mm			—
	Wire Size	4.0mm ² /12AWG			1.5mm ² /16AWG		4.0mm ² /12AWG 0.5mm ² /20AWG		0.5mm ² /20AWG		—	
	Protection Level	Standard is IP65, IP67&IP68 Option Available					Standard is IP65, IP67&IP68 Option Available					
Assembly Method	Soldering / Screwing					Soldering						
Illustration	Material	Part No					Part No					
	Plastic / Metal	Male	YA-20-C02PE-01-001A	YA-20-C03PE-01-001A	YA-20-C04PE-01-001A	YA-20-C05PE-01-001A	YA-20-C07PE-01-001A	YA-20-C08PE-01-001A	YA-20-C09PE-01-001A	YA-20-C12PE-01-001A	YA-20-C14PE-01-001A	—
		Female	YA-20-J02PE-01-001A	YA-20-J03PE-01-001A	YA-20-J04PE-01-001A	YA-20-J05PE-01-001A	YA-20-J07PE-01-001A	YA-20-J08PE-01-001A	YA-20-J09PE-01-001A	YA-20-J12PE-01-001A	YA-20-J14PE-01-001A	—
		Male	YA-20-C02PE-03-001A	YA-20-C03PE-03-001A	YA-20-C04PE-03-001A	YA-20-C05PE-03-001A	YA-20-C07PE-03-001A	YA-20-C08PE-03-001A	YA-20-C09PE-03-001A	YA-20-C12PE-03-001A	YA-20-C14PE-03-001A	—
		Female	YA-20-J02PE-03-001A	YA-20-J03PE-03-001A	YA-20-J04PE-03-001A	YA-20-J05PE-03-001A	YA-20-J07PE-03-001A	YA-20-J08PE-03-001A	YA-20-J09PE-03-001A	YA-20-J12PE-03-001A	YA-20-J14PE-03-001A	—
		Male	YA-20-C02SX-03-201A	YA-20-C03SX-03-201A	YA-20-C04SX-03-201A	YA-20-C05SX-03-201A	YA-20-C07SX-03-201A	YA-20-C08SX-03-201A	YA-20-C09SX-03-201A	YA-20-C12SX-03-201A	YA-20-C14SX-03-201A	—
		Female	YA-20-J02SX-03-201A	YA-20-J03SX-03-201A	YA-20-J04SX-03-201A	YA-20-J05SX-03-201A	YA-20-J07SX-03-201A	YA-20-J08SX-03-201A	YA-20-J09SX-03-201A	YA-20-J12SX-03-201A	YA-20-J14SX-03-201A	—

YA-20 Dimension Drawing (unit: mm)

Plug



Receptacle



YZ SERIES

YZ Optical fiber
Waterproof connector

YZ SERIES

YZ SERIES

YZ waterproof connector application type



YZ-20 connector, using full zinc alloy shell structure and pure gold plated contacts, meets the application requirements of high-end products, uses rotary locking, safe and firm, 3Pin power supply and different number of pins are compatible at the same time, and are widely used in different field.

• Series product information:

Series code:	YZ- 20
Hole size:	Please refer to the external dimension drawing for detailed hole size.
Application types:	Multi Pins (2、 3、 4、 5、 7、 9、 12、 14pin) The working voltage of the power connection can reach 500V, current rated is 20A (2、 3、 4 pin), 10A (5、 7 pin), 5A (9、 12,14 pin)
Material type:	Metal type

• Introduction:

Product types include power 2, 3, 4, 5, 7, 9, 12, 14 pin. The metal model uses a zinc alloy shell, which has high strength; the plastic model uses an engineering plastic shell, which is light in weight.

• Main body material, process and surface treatment:

Shell:	Material: Metal Surface treatment: Chrome plating
	Production Process: Die Casting & Machining

• Module material, process and surface treatment:

Contact:	Material: Male/Female Pin (Copper Alloy) Production Process: Machining & Stamping
	Surface Treatment: Gold plated over nickel
Insulator:	Material: Engineering Plastic Production process: injection molding

• Packaging and Storage:

The product is in a sealed bag, with a small box in the large box, and a label on the small box. The label indicates the product name, model, batch number, and number of products. Packaged products are recommended to be stored in a warehouse with an ambient temperature of 25°C ± 3°C, a relative humidity of ≤72%, and no acidic, alkaline and other corrosive gases in the surrounding air. Other storage environments may affect product life.

• Check the official website YZ series area:

Scan the QR code below to check the BD area of CNLINKO's official website. If you have any doubts, you can contact the online customer service for more detailed product information.



QR code of YZ series

Applications



YZ 20 series products are used in a control box of an automation equipment

Features Overview



Bayonet Design

YZ series adopts Bayonet locking connection, which is convenient, fast, safe and firm.



Electromagnetic and RFI protection

All-zinc alloy housing with complete electromagnetic and radio frequency interference protection to meet the matching needs of various application environments.



Schematic diagram of product structure

The precise structural positioning system ensures the safety and stability of the connection performance.



Installation method

The Receptacle adopts four-hole panel installation, which is convenient and stable.

Series Infographic



YZ-20 Series Information Overview

P119

Product application type:	Power: 2/3/4 pin
	Signal: 5/7/9/12/14 pin
Cable O.D:	The working voltage of the power connection can reach 500V, current rated is 20A (2、3、4 pin), 10A (5、7 pin), 5A (9、12,14 pin).
Details page:	Multi-pin type: $\leq \Phi 10.5\text{mm}$
	Product Parameter Map: P119 Dimension Drawing: P119

Main feature:

- All-zinc alloy shell, with complete electromagnetic and radio frequency interference protection;
- 1/4 Bayonet connection, stable and safe;
- humanized design of the Coupling ring anti-slip;
- The suspended dust cover design can effectively prevent foreign objects from entering in non-working state, with high safety performance and convenient operation;
- The product meets the IP67 protection level when connected.

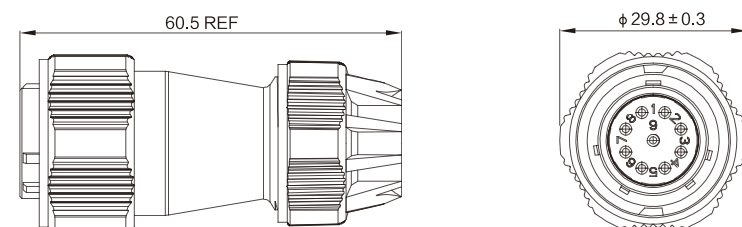
YZ-20

YZ-20 Datasheet

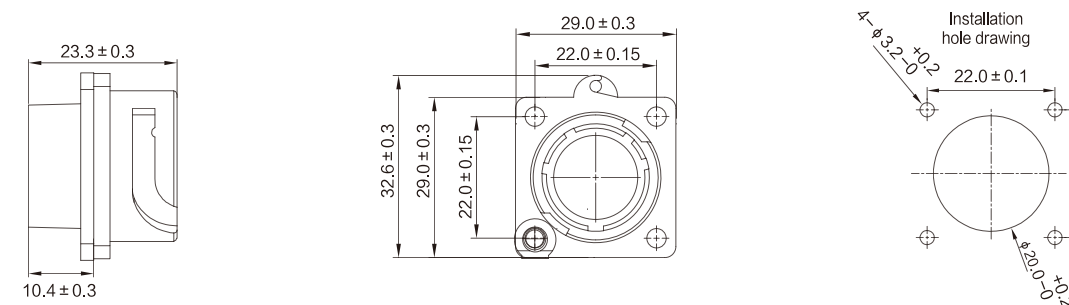
M20 Power/Signal	Product Series	YZ-20																			
	Pin Number	2PIN		3PIN		4PIN		5PIN		7PIN		8PIN		9PIN		12PIN		14PIN		—	
	Application Type Section																			—	
	Current Rated	20A					10A		10A		20A+5A		5A					—			
	Voltage Rated	AC 500V					AC 500V		AC 500V		AC 250V		AC 250V					—			
	Cable O.D Range	≤ φ 14.0mm										≤ φ 14.0mm					—				
	Wire Size	4.0mm ² /12AWG					1.5mm ² /16AWG		1.5mm ² /16AWG		4.0mm ² /12AWG 0.5mm ² /20AWG		0.5mm ² /20AWG					—			
	Protection Level	Standard is IP65, IP67&IP68 Option Available										Standard is IP65, IP67&IP68 Option Available									
Assembly Method	Soldering / Screwing					Soldering / Screwing					Soldering										
Illustration	Material	Part No										Part No									
	Metal	Male	YZ-20-C02PE-03-001A	YZ-20-C03PE-03-001A	YZ-20-C04PE-03-001A	YZ-20-C05PE-03-001A		YZ-20-C07PE-03-001A	YZ-20-C08PE-03-001A	YZ-20-C09PE-03-001A	YZ-20-C12PE-03-001A	YZ-20-C14PE-03-001A	—								
		Female	YZ-20-J02PE-03-001A	YZ-20-J03PE-03-001A	YZ-20-J04PE-03-001A	YZ-20-J05PE-03-001A		YZ-20-J07PE-03-001A	YZ-20-J08PE-03-001A	YZ-20-J09PE-03-001A	YZ-20-J12PE-03-001A	YZ-20-J14PE-03-001A	—								
	Metal	Male	YZ-20-C02SX-03-401A	YZ-20-C03SX-03-401A	YZ-20-C04SX-03-401A	YZ-20-C05SX-03-401A		YZ-20-C07SX-03-401A	YZ-20-C08SX-03-401A	YZ-20-C09SX-03-401A	YZ-20-C12SX-03-401A	YZ-20-C14SX-03-401A	—								
		Female	YZ-20-J02SX-03-401A	YZ-20-J03SX-03-401A	YZ-20-J04SX-03-401A	YZ-20-J05SX-03-401A		YZ-20-J07SX-03-401A	YZ-20-J08SX-03-401A	YZ-20-J09SX-03-401A	YZ-20-J12SX-03-401A	YZ-20-J14SX-03-401A	—								

YZ-20 Dimension Drawing (unit: mm)

Plug



Four-hole flange receptacle



YW SERIES

BD threaded circular
Waterproof connector

YW SERIES

YW SERIES

YW waterproof connector application type

Linko YW series waterproof connectors use zinc alloy shell, which can effectively carry out safety and signal shielding protection. It adopts screw locking, which is more firm and reliable. Widely used in industrial LED screen design, audio and video transmission and other industrial equipment use.

• Series product information:

Series code:	YW- 16、YW- 20
Hole size:	Please refer to the external dimension drawing for detailed hole size.
Application types:	Multi-PIN type (2, 3, 4, 5, 7, 9, 12, 14 pin) The operating voltage of the power connection can reach 400V, the rated current is 20A (2~4 pin), 10A (5, 7 pin), 5A (9, 12, 14 pin)
Material type:	Plastic type, Metal type

• Introduction:

Product types include power 2, 3, 4, 5, 7, 9, 12, 14 pin. The metal model uses a zinc alloy shell, which has high strength; the plastic model uses an engineering plastic shell, which is light in weight. Adopt thread locking design, easy to operate, safe and stable.

• Main body material, process and surface treatment:

Shell:	Material: Engineering Plastic/Metal	Surface treatment: Chrome plating
	Production Process: Injection Molding & Die Casting & Machining	

• Module material, process and surface treatment:

Contact:	Material: Male/Female Pin (Copper Alloy)	Production Process: Machining & Stamping
	Surface Treatment: Gold plated over nickel	
Insulator:	Material: Engineering Plastic	Production process: injection molding

• Packaging and Storage:

The product is in a sealed bag, with a small box in the large box, and a label on the small box. The label indicates the product name, model, batch number, and number of products. Packaged products are recommended to be stored in a warehouse with an ambient temperature of 25°C ± 3°C, a relative humidity of ≤72%, and no acidic, alkaline and other corrosive gases in the surrounding air. Other storage environments may affect product life.

• Check the official website YW series area:

Scan the QR code below to check the YW area of CNLINKO's official website. If you have any doubts, you can contact the online customer service for more detailed product information.



QR code of YW series

Applications



YW-20 series products are used in a communication equipment

Features Overview



Reliable waterproof performance

YW series is connected by threaded locking device, which is safe and stable; the protection level reaches IP67 in the connected state, which provides good protection performance for the equipment.



Electromagnetic and Radio Frequency Interference Protection

All-zinc alloy shell, with complete electromagnetic and radio frequency interference protection, can meet the matching needs of various equipment.



Product structure diagram

The precise structural positioning system ensures the safety and stability of the connection performance.



Installation method

The socket adopts four-hole flange and straight single-hole installation, which is convenient and stable; it is suitable for connection before or after the board.

Series Infographic



YW-16 Series Information Overview

P125

Product application type:	Power: 3 pin
	Signal: 9 pin
	The operating voltage of the power connection can reach 400V, the rated current is 10A (3 pin), 5A (9 pin)
Cable O.D:	Multi-pin type: $\leq \Phi 10.3\text{mm}$
Details page:	Product Parameter Map: P125 Dimension Drawing: P126

YW-20 Series Information Overview

P127

Product application type:	Power: 2/3/4 pin
	Signal: 5/7/9/12/14 pin
	The operating voltage of the power connection can reach 300V, the rated current is 20A (2-4 pin), 10A (5, 7 pin), 5A (9, 12, 14 pin)
Cable O.D:	Multi-pin type: $\leq \Phi 12.0\text{mm}$
Details page:	Product Parameter Map: P127 Dimension Drawing: P127

Main feature:

- Quick and easy nut-type design locking system;
- Outer ring thread locking device, stable and safe;
- All-zinc alloy shell, with complete electromagnetic and radio frequency interference protection;
- Suspended dust cover design can effectively prevent foreign objects from entering in non-working state ;
- The product meets the IP67 protection level in the connected state.

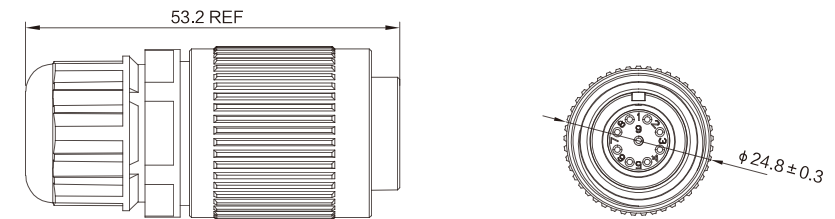
YW-16 Datasheet

YW-16

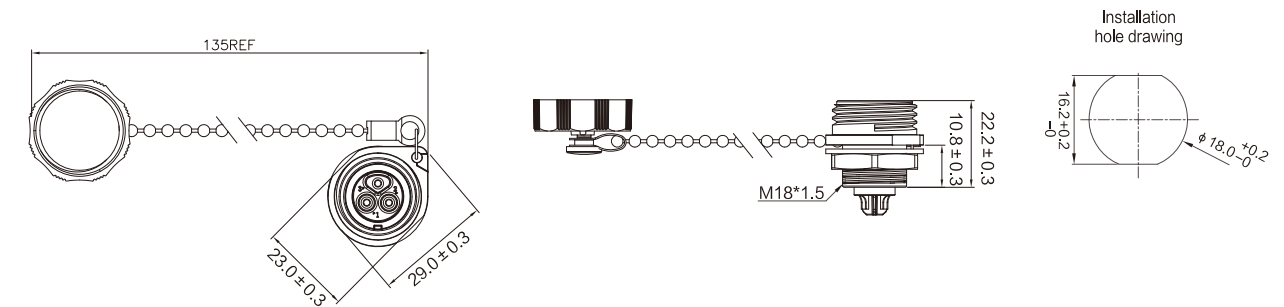
M16 Power/Signal	Product Series		YW-16	
	Pin Number		3PIN	9PIN
	Application Type Section		 Male Female	 Male Female
	Current Rated		10A	5A
	Voltage Rated		AC 400V	AC 250V
	Cable O.D Range		≤ φ 10.3mm	
	Wire Size		1.0~1.5mm ² /18~16AWG	0.34~0.75mm ² /22~20AWG
	Protection Level		Standard is IP65, IP67&IP68 Option Available	
	Assembly Method		Soldering / Screwing	Soldering
Illustration	Material	Part No		
 Plug	Metal	Male	YW-16-C03PE-03-001A	YW-16-C09PE-03-001A
		Female	YW-16-J03PE-03-001A	YW-16-J09PE-03-001A
 Four-hole flange receptacle		Male	YW-16-C03SX-03-401A	YW-16-C09SX-03-401A
		Female	YW-16-J03SX-03-401A	YW-16-J09SX-03-401A
 Single hole straight receptacle		Male	YW-16-C03SX-03-101A	YW-16-C09SX-03-101A
		Female	YW-16-J03SX-03-101A	YW-16-J09SX-03-101A

YW-16 Dimension Drawing (unit: mm)

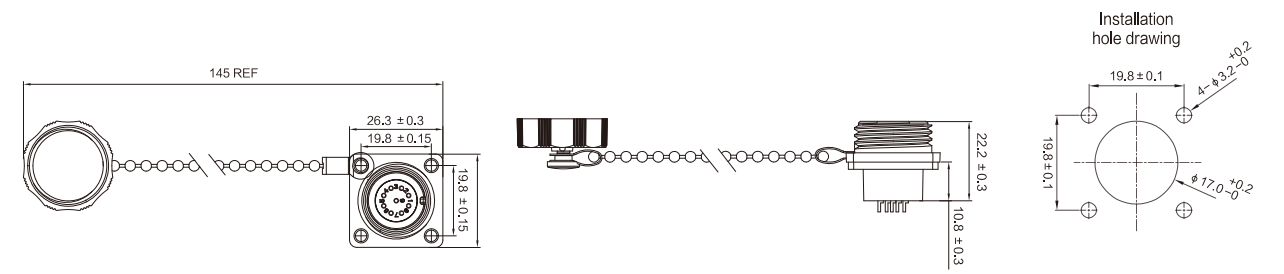
Plug



Single hole straight receptacle



Four-hole flange receptacle



YW SERIES

YW SERIES

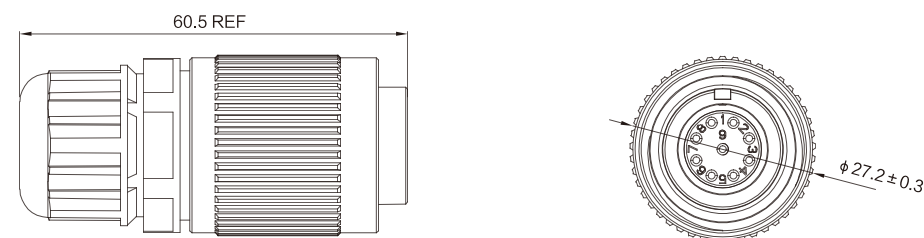
YW-20

YW-20 Datasheet

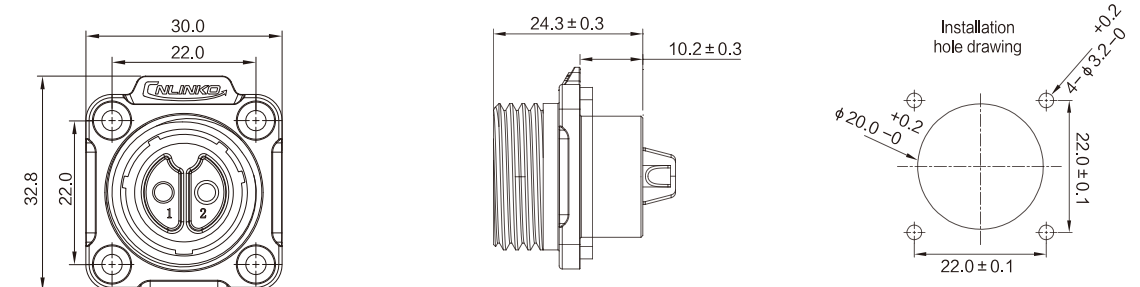
M20 Power/Signal	Product Series	YW-20								YW-20		
	Pin Number	2PIN	3PIN	4PIN	5PIN	7PIN	8PIN	9PIN	12PIN	14PIN	—	
	Application Type Section	Male Female	Male Female	Male Female	Male Female	Male Female	Male Female	Male Female	Male Female	Male Female	—	
	Current Rated	20A				10A	10A	20A+5A	5A			—
	Voltage Rated	AC 500V				AC 500V	AC 500V	AC 250V	AC 250V			—
	Cable O.D Range	≤ φ 12.0mm								≤ φ 12.0mm		—
	Wire Size	4.0mm ² /12AWG				1.5mm ² /16AWG	1.5mm ² /16AWG	4.0mm ² /12AWG 0.5mm ² /20AWG	0.5mm ² /20AWG			—
	Protection Level	Standard is IP65, IP67&IP68 Option Available						Standard is IP65, IP67&IP68 Option Available				
Assembly Method	Soldering						Soldering					
Illustration	Material	Part No				Part No						
	Metal	Male	YW-20-C02PE-03-001A	YW-20-C03PE-03-001A	YW-20-C04PE-03-001A	YW-20-C05PE-03-001A	YW-20-C07PE-03-001A	YW-20-C08PE-03-001A	YW-20-C09PE-03-001A	YW-20-C12PE-03-001A	YW-20-C14PE-03-001A	—
		Female	YW-20-J02PE-03-001A	YW-20-J03PE-03-001A	YW-20-J04PE-03-001A	YW-20-J05PE-03-001A	YW-20-J07PE-03-001A	YW-20-J08PE-03-001A	YW-20-J09PE-03-001A	YW-20-J12PE-03-001A	YW-20-J14PE-03-001A	—
	Metal	Male	YW-20-C02SX-03-401A	YW-20-C03SX-03-401A	YW-20-C04SX-03-401A	YW-20-C05SX-03-401A	YW-20-C07SX-03-401A	YW-20-C08SX-03-401A	YW-20-C09SX-03-401A	YW-20-C12SX-03-401A	YW-20-C14SX-03-401A	—
		Female	YW-20-J02SX-03-401A	YW-20-J03SX-03-401A	YW-20-J04SX-03-401A	YW-20-J05SX-03-401A	YW-20-J07SX-03-401A	YW-20-J08SX-03-401A	YW-20-J09SX-03-401A	YW-20-J12SX-03-401A	YW-20-J14SX-03-401A	—

YW-20 Dimension Drawing (unit: mm)

Plug



Four-hole flange receptacle



YU USB SERIES

YU-USB data Waterproof connector

YU-USB waterproof connector application type

CNLINKO's professional multi-function YU-USB data waterproof cable plug and receptacle, dedicated to data transmission, because of plug and play, fast transmission rate, strong scalability, is widely used in computers, digital cameras, scanners and Other data transmission equipment, this series of products are diverse, which can realize male and female conversion and docking, independent female socket, male connector with cable, etc.

• Series product information:

Series code:	YU- USB
Hole size:	Please refer to the external dimension drawing for detailed hole size.
Application types:	Data: USB Transmission level: USB2.0, USB3.0 Data connection withstand Voltage: 100V/Min Contact Resistance: 30mΩ/Max Optional data transmission level
Material type:	Plastic type

• Introduction:

Product types include data type (USB2.0, USB3.0). Using engineering plastic shell, light weight. YU series products are diverse and can be used flexibly; sockets and rubber-coated plugs adopt a stable jacket snap-type locking method, which is easy to operate, safe and stable.

• Main body material, process and surface treatment:

Shell:	Material: Material: Engineering plastic	Production process: Injection molding
--------	---	---------------------------------------

• Module material, process and surface treatment:

Contact:	Material: Male/Female Pin (Copper Alloy)	Production Process: Machining & Stamping
	Surface Treatment: Gold plated over nickel	
Insulator:	Material: Engineering Plastic	Production process: injection molding

• Packaging and Storage:

The product is in a sealed bag, with a small box in the large box, and a label on the small box. The label indicates the product name, model, batch number, and number of products. Packaged products are recommended to be stored in a warehouse with an ambient temperature of 25°C ± 3°C, a relative humidity of ≤72%, and no acidic, alkaline and other corrosive gases in the surrounding air. Other storage environments may affect product life.

• Check the official website YU-USB series area:

Scan the QR code below to check the YU-USB area of CNLINKO's official website. If you have any doubts, you can contact the online customer service for more detailed product information.



QR code of YU-USB series

Applications



YU-USB series products are used in an automation equipment control box

Features Overview



Reliable waterproof performance

The protection level of YU-USB series can reach IP67 when mated, which can provide good electrical protection performance for the equipment.



A variety of matching methods

The products are diversified, and the products of the same transmission grade can be used flexibly to adapt to more different application environments.



Bayonet locking design

The sockets and rubber-coated plugs are locked by a stable jacket buckle, which is safe and stable.



Multiple connection methods

It supports panel installation, and can also be connected by wire-to-wire, with various connection methods.

Series Infographic



YU-USB Series Information Overview

P133

Product application type:	Data: USB	
	Transmission level: USB2.0, USB3.0	
Cable O.D:	Data: $\Phi 4.5\sim\Phi 5.5\text{mm}$	
Details page:	Product Parameter Map: P133	Dimension Drawing: P133

Main feature:

- Independent socket design, without tool assistance, easy installation and easy operation;
- It can realize double-head male and female transfer, the buckle is locked, and it is safe and firm;
- Unique docking design, stable extension of infinite cable length;
- The robust connection system provides solutions for data connection transmission in different environments;
- The product meets the IP67 protection level when mated.

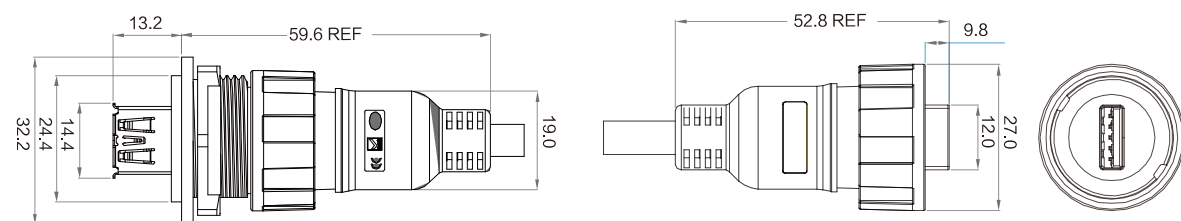
YU-USB

YU-USB Datasheet

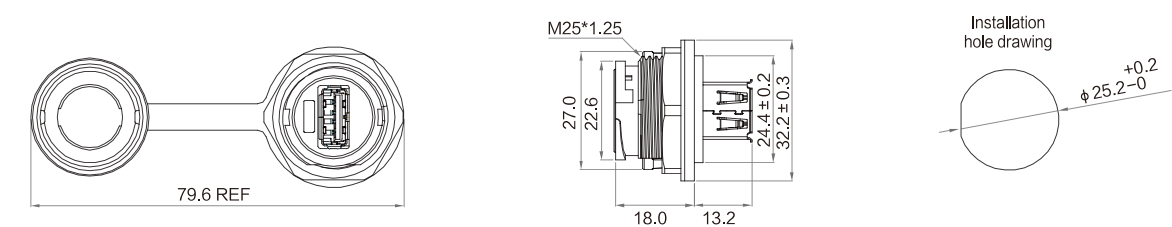
Data	Product Series	YU-USB2.0			YU-USB3.0		
	Current Rated	2A(Max)			—		
	Voltage Rated	300V / DC			—		
	Cable O.D Range	—			—		
	Wire Size	28~24AWG			28~24AWG		
	Protection Level	Standard is IP65, IP67&IP68 Option Available			Standard is IP65, IP67&IP68 Option Available		
	Assembly Method	Bayonet locking			Bayonet locking		
		USB2.0 (Line length:1m)			USB3.0		
Product Image							—
Part No	YU-USB2-MP-MP-1M-001	YU-USB2-MP-MP-1M-002	YU-USB2-FS-MP-1M-004	YU-USB3-MP-MP-1M-001	YU-USB3-MP-MP-1M-002	YU-USB3-FS-MP-1M-003	—
Product Image						—	—
Part No	YU-USB2-FS-MP-1M-005	YU-USB2-FS-MP-1M-001	YU-USB2-JSX-01-001	YU-USB3-FS-FS-1M-001	YU-USB3-JSX-01-001	—	—
Product Image						—	—
Part No	YU-USB2-JSX-04-001	YU-USB2-JSX-01-003	YU-USB2-FS-MP-1M-006	YU-USB3-JSX-01-004	YU-USB3-FS-MP-1M-004	—	—
Product Image			—	—	—	—	—
Part No	YU-USB2-JSX-02-001	YU-USB2-JSX-17-001	—	—	—	—	—

YU-USB Dimension Drawing (unit: mm)

Plug



Single hole straight receptacle



YT RJ45 SERIES

Dedicated signal connector



YT-RJ45 waterproof connector application type

YT-RJ45 dedicated for signals of CNLINKO provides solutions for signal transmission in harsh environments. These connectors are especially suitable for applications for Ethernet in audio, commercial, entertainment, on-site stage equipment, DMX lighting, industrial and outdoor network connection environments. The YT-RJ45 series provides cable jackets, assembled Socket Plug, straight plug, cable couplers and protection styles. The IP44/IP65 protection level is the strongest protection for the installation box.

• **Series product information:**

Series code:	Signal type: RJ45
Material type:	Plastic type, metal type, plastic and metal type

• **Introduction:**

YT series are industrial-specific signal connectors. The metal model uses a zinc alloy shell, which has high strength; the plastic model uses an engineering plastic shell, which is light in weight. The product has excellent and stable electrical performance, and is suitable for the connection of equipment installed in front of and behind the board, and can also be used for system connection outside the equipment. The operation is simple, safe and stable.

• **Main body material, process and surface treatment:**

Shell:	Material: Engineering Plastic/Metal	treatment: chrome plating
	Production Process: Injection Molding & Die Casting & Machining Surface	

• **Module material, process and surface treatment:**

Contact:	Material: Male/Female Pin (Copper Alloy)	Treatment: Gold plated over nickel
	Production Process: Machining & Stamping Surface	
Insulator:	Material: engineering plastic	Production process: injection molding

• **Packaging and Storage:**

The product is in a sealed bag, with a small box in the large box, and a label on the small box. The label indicates the product name, model, batch number, and number of products. Packaged products are recommended to be stored in a warehouse with an ambient temperature of 25°C ± 3°C, a relative humidity of ≤ 72%, and no acidic, alkaline and other corrosive gases in the surrounding air. Other storage environments may affect product life.

• **Check the official website YT-RJ45 series area:**

Scan the QR code below to check the YT-RJ45 area of CNLINKO's official website. If you have any doubts, you can contact the online customer service for more detailed product information.



QR code of YT-RJ45 series

YT · RJ45

YT · RJ45

Applications



YT-RJ45 series products are used in a certain equipment information control box

Features Overview



Excellent waterproof/dustproof performance

The protection level of YT series can reach IP65 when connected, which can provide good electrical protection performance for the equipment.



Super anti-shielding ability

Precise structure, high-speed transmission, without any delay, faster, more stable and more secure transmission.



Multiple style options

Various materials and styles are available to meet the needs of different application scenarios.



Panel Mount

External connection and installation, stable and convenient, safe and reliable.

Series Infographic



YT-RJ45 Series Information Overview

P139

Product application type:	Signal: RJ45 The rated voltage of the power connection is 42V, the rated current is 1.2A, and the shield is optional.
Cable O.D:	Signal type: RJ45; $\Phi 5.5\sim\Phi 7.0\text{mm}$
Details page:	Product Parameter Map: P139 Dimension Drawing: P141

Main feature:

- According to EIA568B/ISO/IEC11801 standard, it complies with D-pole/CAT3e/CAT5e, and the data transmission rate can reach 10M/s, 100M/s, 1000M/s;
- Multi-style connection design, 1/4 quick bayonet connection (YT01), quick plug (YT10) and push-pull;
- The cable jacket has a solid die-cast outer shell and a unique double-clamped ferrule;
- Shielding system---high frequency noise immunity and electromagnetic interference protection;
- The product conforms to the IP44/IP65 protection level when connected.

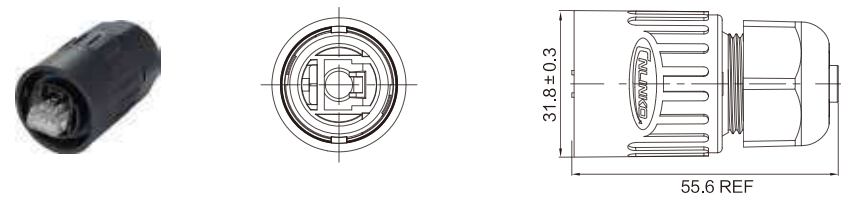
YR-RJ45 Datasheet

YT-RJ45

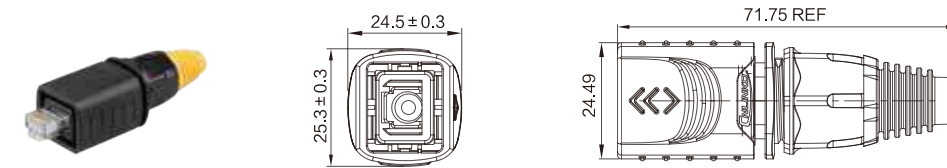
RJ45 Signal	Product Series	YT-RJ45														
	Number Of Cores	RJ45														
	Application Type Section															
	Current Rated	—														
	Rated voltage	—														
	Cable O.D Range	φ 5.5 ~ φ 7.0mm														
	Wire Size	26~24AWG														
	Protection Level	IP44/IP65 (In connected state)														
	Assembly Method	1/4 quick bayonet connection/plug-in connection/push-pull connection														
	Circular Metal					Circular Engineering Plastic				Square Engineering Plastic						
plug	 YT-RJ45-CPE-10-001				 YT-RJ45-CPE-10-002				 YT-RJ45-CPE-11-001							
	 YT-RJ45-CPE-01-001				 YT-RJ45-CPE-29-001				 YT-RJ45-CPE-13-001				 YT-RJ45-CPE-05-001			
	 YT-RJ45-CPE-11-002				 YT-RJ45-CPE-11-003				 YT-RJ45-CPE-11-004				 YT-RJ45-CPE-11-005			
receptacle	 YT-RJ45-JSX-16-001				 YT-RJ45-JSX-17-001				 YT-RJ45-JSX-22-002				 YT-RJ45-JSX-21-002			
	 YT-RJ45-JSX-01-001				 YT-RJ45-JSX-29-001				 YT-RJ45-JSX-05-002				 YT-RJ45-JSX-07-001			
	 YT-RJ45-JSX-24-002				 YT-RJ45-JSX-25-001				 YT-RJ45-JSX-32-001				 YT-RJ45-JSX-26-001(IP44)			
 YT-RJ45-JSX-04-002				 YT-RJ45-JSX-29-004				 YT-RJ45-JSX-02-001				 YT-RJ45-JSX-08-001				
 YT-RJ45-JSX-18-001(IP44)				 YT-RJ45-JSX-19-001(IP44)				 YT-RJ45-JSX-21-001(IP44)				 YT-RJ45-JSX-22-001(IP44)				
 —				 —				 —				 —				

YT-RJ45 Dimension Drawing (unit: mm)

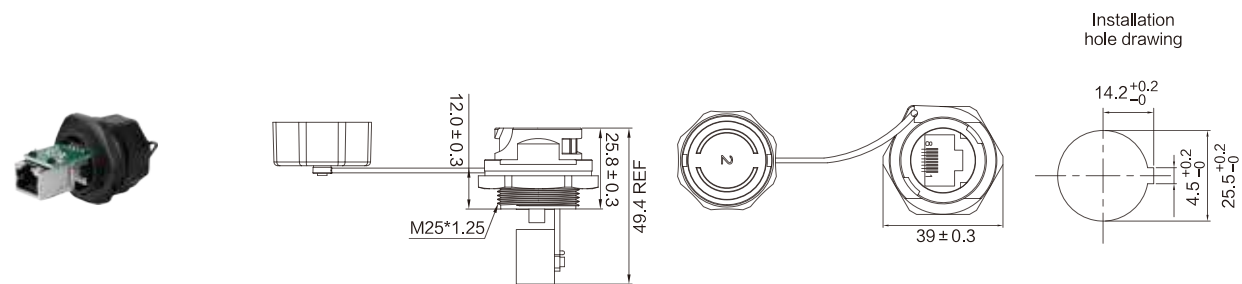
Plastic Circular Connector YT-RJ45-CPE-01-001



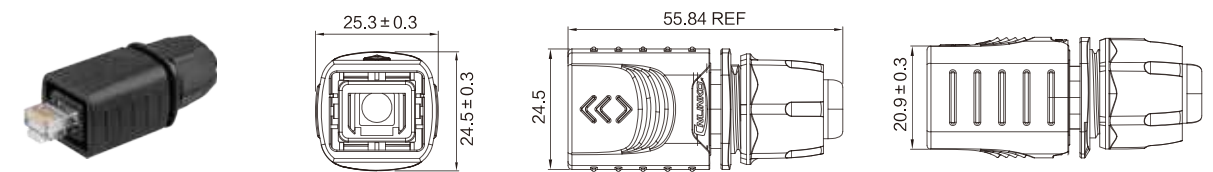
Plastic Square Connector YT-RJ4



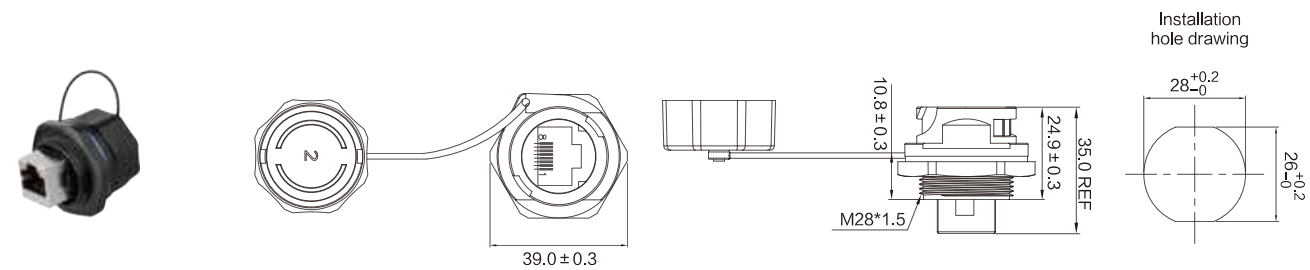
Plastic Circular Receptacle YT-RJ45-JSX-01-001



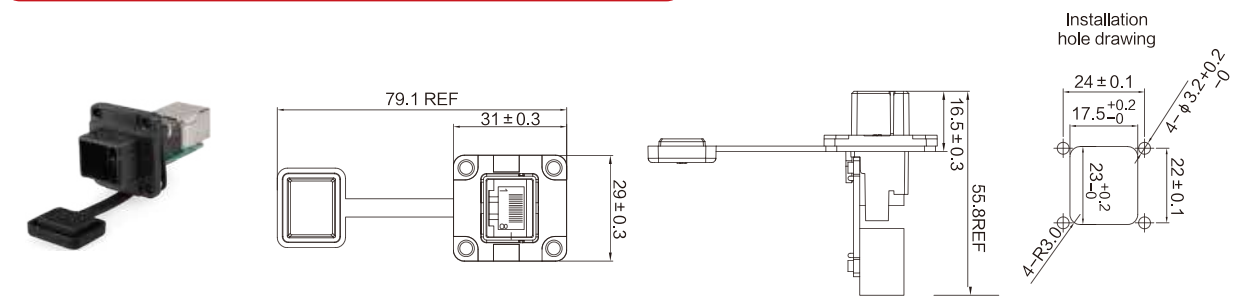
Plastic Square Connector YT-RJ45-CPE-13-001



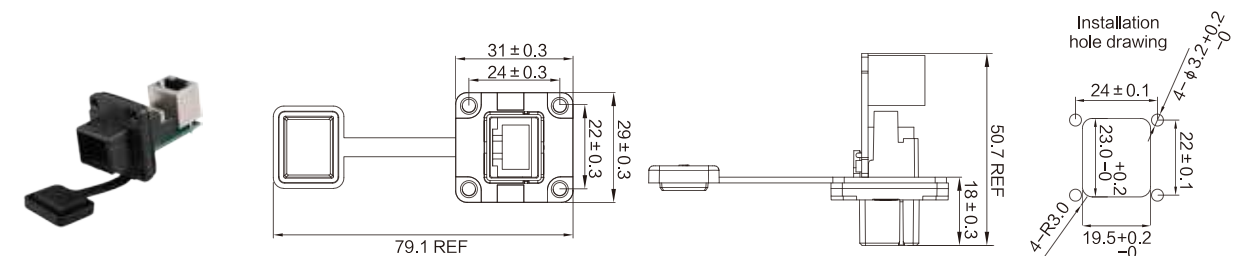
Plastic Circular Receptacle YT-RJ45-JSX-04-002



Plastic Square Receptacle YT-RJ45-JSX-02-001



Plastic Square Receptacle YT-RJ45-JSX-08-001

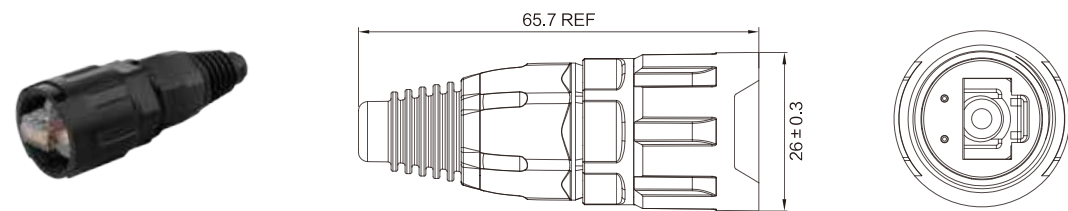


YT · RJ45

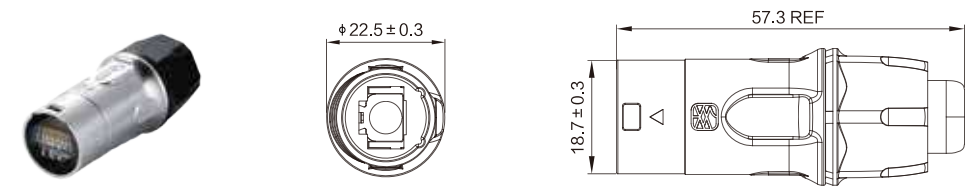
YT · RJ45

YR-RJ45 Dimension Drawing (unit: mm)

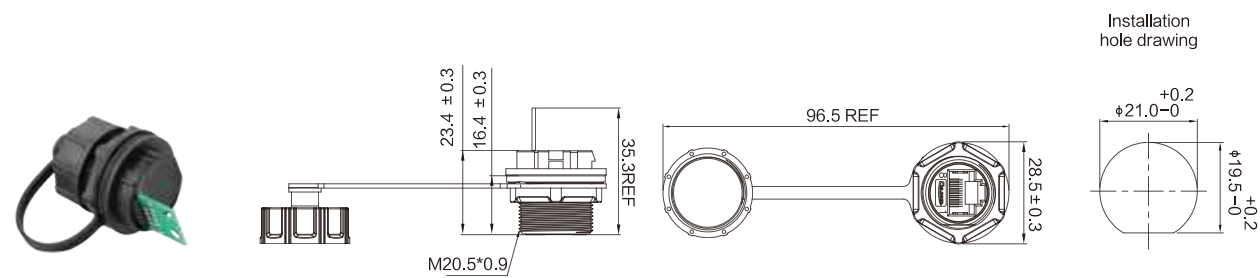
Plastic Circular Connector YR-RJ45-CPE-29-001



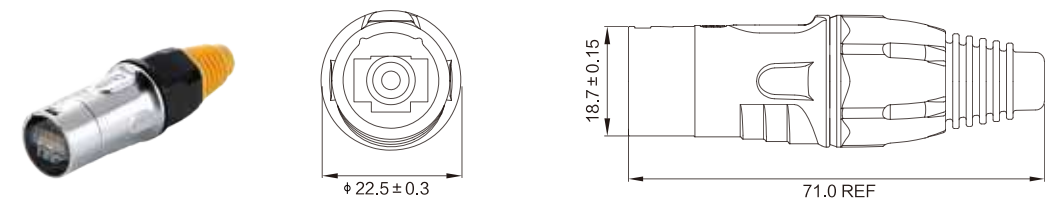
Metal Circularplug Connector YR-RJ45-CPE-11-001/2



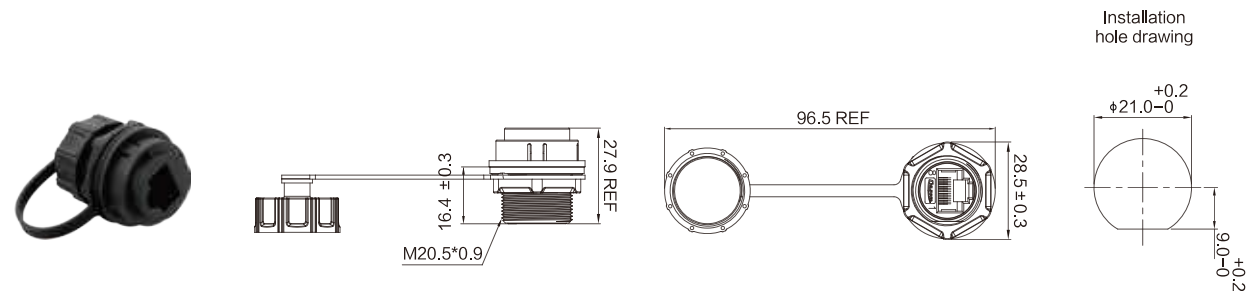
Plastic Circular Receptacle YR-RJ45-JSX-29-001



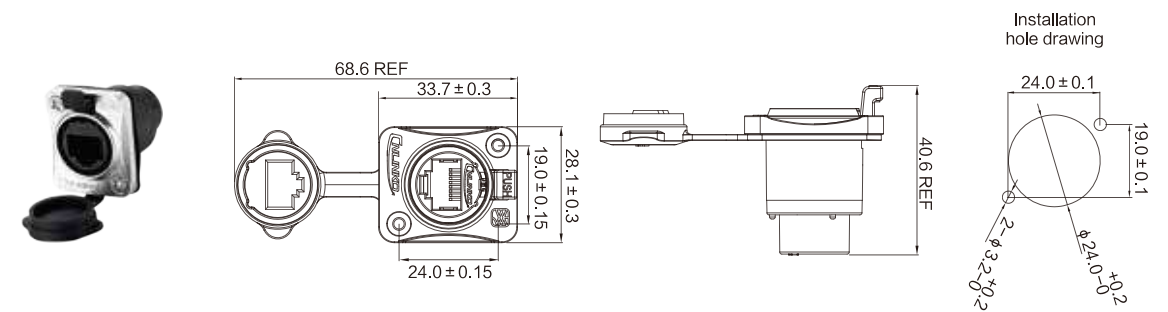
Metal Circularplug Connector YR-RJ45-CPE-10-001/2



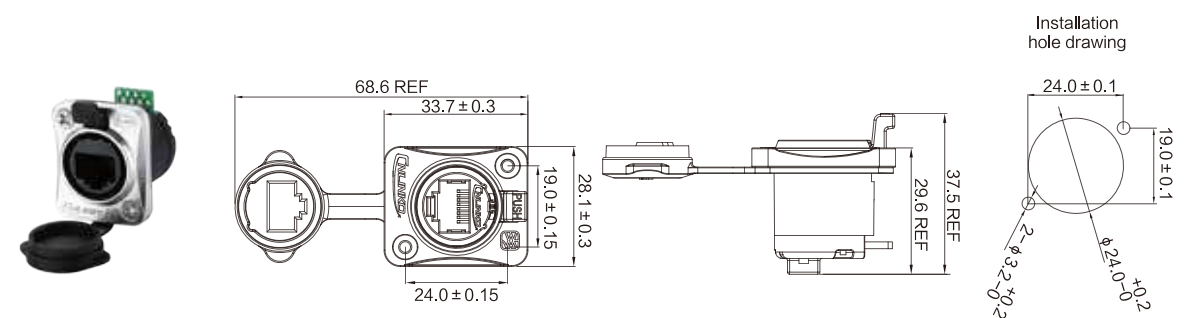
Plastic Circular Receptacle YR-RJ45-JSX-29-004



Metal Square Receptacle YR-RJ45-JSX-16-001



Metal Square Receptacle YR-RJ45-JSX-17-001



YR-RJ45

YR-RJ45

YF SERIES

Dedicated power connector

YF SERIES

YF SERIES

YF waterproof connector application type

CNLINKO is equipped with the international standard YF-24 series power waterproof connectors, and has designed a unique plug-in locking method, which is easy to operate, safe and stable. Using color distinguishes the input and output of the power supply, thereby effectively distinguishing the input and output terminals, and with the power coupler, it can be used in external mobile connections at the same time, increasing the flexibility of equipment use; block internal construction design with an integrated plastic shell, providing safe and stable connection and transmission performance to ensure that the equipment is in use. Stability of electrical properties during the process.

• Series product information:

Series code:	YF- 20
Hole size:	Please refer to the external dimension drawing for detailed hole size.
Application types:	Multi-PIN type: 3 pins The working voltage of the power supply connection can reach 500V, the current rating is 20A, and the input/output connector can be selected.
Material type:	Plastic type

• Introduction:

The product type includes power supply 3 pins. Plastic shell, light weight, good toughness, strong corrosion resistance, using a special 3-pin locking design, easy to operate, safe and stable.

• Main body material, process and surface treatment:

Shell:	Material: engineering plastic	Production process: injection molding
--------	-------------------------------	---------------------------------------

• Module material, process and surface treatment:

Contact:	Material: Male/Female Pin (Copper Alloy)	Production Process: Machining & Stamping
	Surface Treatment: Silver Plated	
Insulator:	Material: engineering plastic	Production process: injection molding

• Packaging and Storage:

The product is in a sealed bag, with a small box in the large box, and a label on the small box. The label indicates the product name, model, batch number, and number of products. Packaged products are recommended to be stored in a warehouse with an ambient temperature of 25°C ± 3°C, a relative humidity of ≤72%, and no acidic, alkaline and other corrosive gases in the surrounding air. Other storage environments may affect product life.

• Check the official website YF series area:

Scan the QR code below to check the YF area of CNLINKO's official website. If you have any doubts, you can contact the online customer service for more detailed product information.



QR code of YF series

Applications



YF-24 series products are used in an automation equipment control box

Features Overview



Slotting locking system

The unique snap + plug connection locking system enables the connection more stable.



Excellent waterproof performance

The protection level IP65 and IP44 in the connected state, providing good electrical protection performance for the equipment.



panel mount

Easy to install and adapt to a variety of different usage scenarios.



Wiring

CNLINKO YF-24 waterproof plug adopts locking screw connection method.

Series Infographic



YF-24 Series Information Overview

P149

Product application type:	Power: 3PIN
	The working voltage of the power connection can reach 500V, the current rating is 20A, and the input/output connector can be selected.
Cable O.D:	≤ Φ 14.0mm
Details page:	Product Parameter Map: P149 Dimension Drawing: P150

Main feature:

- Special 3-pin locking device plug-in, pre-adapted to the safety ground wire;
- Using different colors to control input and output, avoiding the possibility of mismatching errors;
- Quick and easy locking system, safe and secure;
- High current capacity 20A/500V;
- The product complies with IP65 and IP44 when mated;
- TUV, UL certification.

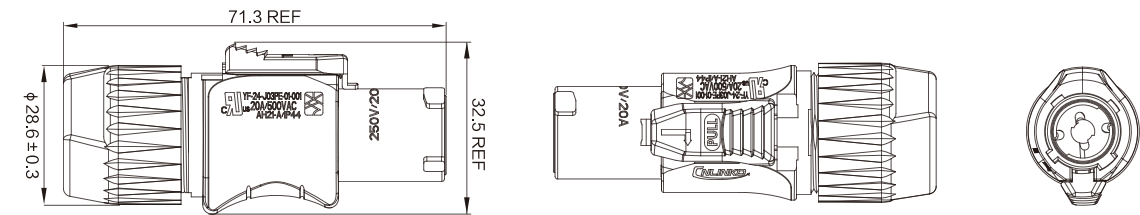
YF-24 Datasheet

YF-24

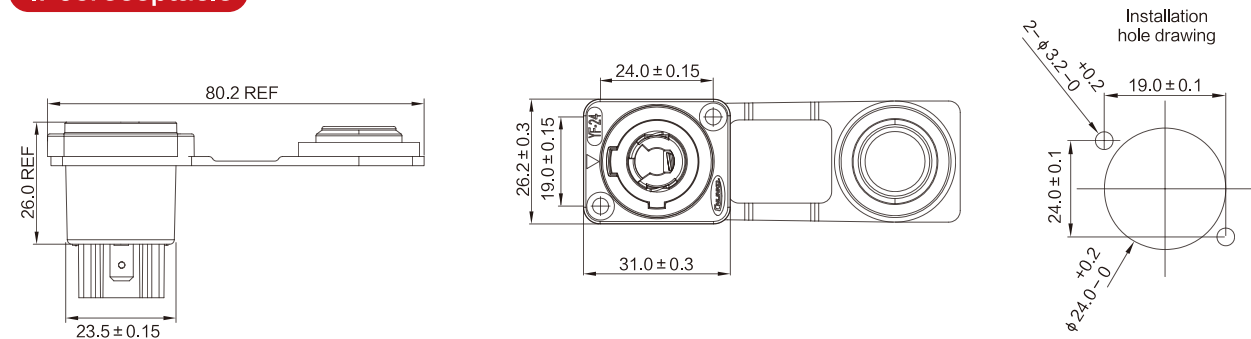
M24 Power/Signal	Product Series	YF-24		
	Application Type Section			
	Current Rated	20A		
	Rated voltage	AC 500V		
	Cable O.D Range	φ 5~ φ 14mm		
	Wire Size	2.5mm ² ~4.0mm ² /14~12AWG		
	Protection Level	IP44 / IP65		
	Assembly Method	Soldering, Screwing		
plug				
YF-24-J03PE-01-001(IP44 right) YF-24-J03PE-02-001(IP65 right)	YF-24-C03PE-01-001(IP44 left) YF-24-C03PE-02-001(IP65 left)	YF-24-C03PE-02-002(IP65 left)	YF-24-J03PE-02-002(IP65 right)	
receptacle				
YF-24-C03SX-02-001 (IP65 right)	YF-24-J03SX-02-001(IP65 left)	YF-24-J03SX-02-002(IP65 left)	YF-24-C03SX-02-002(IP65 right)	
converter				
YF-24-J03SX-03-200(IP44)	YF-24-J03SX-01-200(IP44)	YF-24-C03SX-01-200(IP44)	YF-24-J03SX-02-200(IP65)	

YF-24 Dimension Drawing (unit: mm)

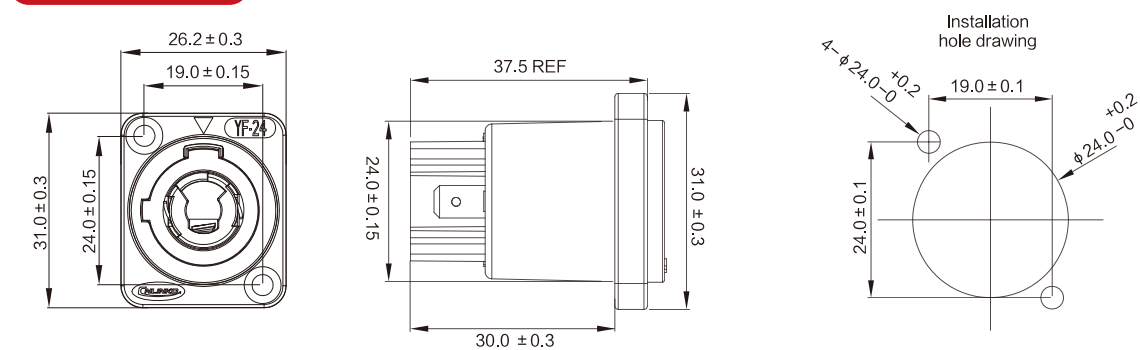
Plug



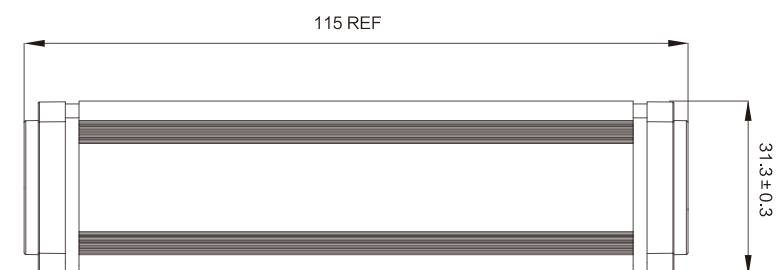
IP65receptacle



IP44receptacle



Converter



Harness and connector customization

Manufacturer of high reliability industrial waterproof connectors



Harness and connector customization



CNLINKO selects international high-quality wires combined with CNLINKO brand connectors, and can customize the corresponding wire harness connectors according to the different needs of customers. We can also carry out engineering design and development to provide solutions according to the needs provided by customers. Flexible and convenient customized solutions make you more worry-free.

The Application case of Wire Harness (Power) P153

Cnlinko's Products series	LP、YM、BD、DH、EV、DZ、YA、YZ、YW、YF and scheme development products
Module type	2/3/4 Pins
Optional cut hole size	M12、M16、M20、M24、M28 and development customization
Optional material types	Plastic type, Metal type, Plastic + Metal type
Note	You can choose according to your needs

The Application case of Wire Harness (Data) P154

Cnlinko's Products series	LP、YM、BD、DH、DZ、YU、YT and scheme development products
Module type	USB/HDMI/Type-C
Optional cut hole size	M12、M16、M20、M24、M28 and development customization
Optional material types	Plastic type, Metal type, Plastic + Metal type
Note	You can choose according to your needs

The Application case of Wire Harness (Power+Signal) P155

Cnlinko's Products series	LP、YM、BD、DH、EV、DZ、YA、YZ、YW and scheme development products
Module type	5/6/7/8/9/10/12/14/19/24 Pins、RJ45、Optical fiber、Hybrid(2+7/2+6/3+2/3+16/4+4 Pins)
Optional cut hole size	M12、M16、M20、M24、M28 and development customization
Optional material types	Plastic type, Metal type, Plastic + Metal type
Note	You can choose according to your needs

• Check the harness and connector customization area:

Scan the QR code below to check the harness and connector customization area of CNLINKO official website.



CNLINKO official website QR code for harness and connector customization area

The Application case of Wire Harness(Power)



LP20 3 Pins

Application: Solar photovoltaic, new energy storage

WVDC: 500V/AC, RC: 20A | Applicable wire diameter: Φ 9.0 ~ 13.0mm

Waterproof level: IP67 | Flame retardant level: VW-1/UL94V-0

Connection method: Soldering/Screwing (optional)

Wires conform to 3C, CQC, UL, VDE certification

Product advantages: It adopts spring snap-type locking connection, which has the characteristics of cold resistance, high temperature resistance and waterproof function.



BD24 3 Pins

Application: Security equipment, communication equipment, industrial robots

WVDC: 500V/AC, RC: 25A | Applicable wire diameter: Φ 10.0 ~ 14.0mm

Waterproof level: IP67 | Flame retardant level: VW-1/UL94V-0

Structure: metal/plastic (optional) | Connection method: Welding/Screwing (optional)

Wires conform to 3C, CQC, UL, VDE certification

Product advantages: It adopts lock-type connection, which has the characteristics of cold resistance, high temperature resistance, corrosion resistance and waterproof function.



YM24 3 Pins

Application: Ships, intelligent storage, fire fighting equipment, medical equipment, Intelligent storage

WVDC: 500V/AC, RC: 25A | Applicable wire diameter: Φ 10.0 ~ 14.0mm

Waterproof level: IP68 | Flame retardant level: VW-1/UL94V-0

Connection method: Soldering

Wires conform to 3C, CQC, UL, VDE certification

Product advantages: It adopts snap-type nut rotation and locking connection, which has the characteristics of fire resistance, explosion resistance, deformation resistance, cold resistance, high temperature resistance, corrosion resistance and waterproof function.



YF24 3 Pins

Application: LED display, stage lighting, audio equipment

WVDC: 500V/AC, RC: 20A | Applicable wire diameter: Φ 9.0 ~ 14.0mm

Waterproof level: IP44/IP65 | Flame retardant level: VW-1/UL94V-0

Connection method: Soldering/Screwing (optional)

Wires conform to 3C, CQC, UL, VDE certification

Product advantages: It adopts unique snap button and plug-type connection, which has the characteristics of explosion resistance, deformation resistance, cold or high temperature resistance, corrosion resistance, excellent insulation performance, and dustproof and waterproof functions.



DH20 3 Pins

Application: Industrial and mining, Mechanical, electromechanical equipment

WVDC: 500V/AC, RC: 20A | Applicable wire diameter: Φ 9.0 ~ 13.0mm

Waterproof level: IP67 | Flame retardant grade: VW-1/UL94V-0

Connection method: Welding/Screwing (optional)

Wires conform to 3C, CQC, UL, VDE certification

Product advantages: Adopt military standard three-point screw locking connection, alloy shell material, effectively reduce external high current generation, electromagnetic and signal radio frequency interference, and with waterproof function, etc.

The Application case of Wire Harness(Data)



LP,DH,YM,YU,BD
(USB2.0/3.0,Type-C 3.1 Series)

Application: Communication, testing, industrial control and automation equipment, photographic equipment

Waterproof level: IP67 | Flame retardant level: VW-1/UL94V-0

Temperature resistance level: -40 ~ 105°C | Contact resistance: 30m Ω /Max

Withstand voltage: 100V/AC | Complies with USB Association EMI requirements

Wires comply with UL2725, UL20276 certification

The transfer rate meets the USB2.0/USB3.0/Type-C Gen1/Gen2 standard.



LP,DH,YM,YT,BD
(RJ45 Series)

Application: LED display, robotics, communication and electronic equipment

Waterproof level: IP67 | Flame retardant level: VW-1/UL94V-0

Temperature resistance level: -40 ~ 105°C

Compliant with T568A and T568B line sequence

Wires comply with UL2835 certification

The wire specification meets the transmission standard of Super Category 5, which is Cat5/Cat-5e/Cat6, multi-strand copper wire is twisted, and the signal transmission is more stable.



LP,DH,YM,BD
(LC Optical fiber Series)

Application: Communication and switch equipment, computer room

Waterproof level: IP67 | Flame retardant level: VW-1/UL94V-0

Temperature resistance level: -40 ~ 105°C

The wire has metal armor, the material is SUS304, which is anti-pulling and bending, preventing it from being bitten by animals.

Mainly used in outdoor connection applications, the rugged PU jacket and single mode APC armored construction cable provides 1 Gigabit/s data transmission in high bandwidth applications.



LP,DH,YM,BD
(HDMI Series)

Application: Videophone, multimedia, audiovisual and monitoring equipment

Waterproof level: IP67 | Flame retardant level: VW-1/UL94V-0

Temperature resistance level: -40 ~ 105°C

Support HDMI2.0 (4K*2K 60Hz), HDMI2.1 | (8K*4K 120Hz) HD video transmission

Wires meet UL certification

The HDMI 2.1 wire has metal armor, the material is SUS304, which is anti-pulling and bending, preventing it from being bitten by animals and its length up to 300M.



LP,DH,YM,BD
(Multi-Pin 5~24 Pins Series)

Application: GPS positioning system, remote monitoring, ECT, and communication equipment





Waterproof level: IP67

Flame retardant level: VW-1/UL94V-0

Temperature resistance level: -40 ~ 105°C

Wires comply with UL, 3C certification

The Application case of Wire Harness(Power+Signal)

 <p>LC20</p>	<p>Application: LED DISPLAY</p> <p>Power interface:Rated current 20A,Operating voltage 500V/AC,Contact resistance < 1mΩ</p> <p>Signal interface:Rated current 5A,Operating voltage 400V/AC,Contact resistance < 5mΩ</p> <p>Waterproof level: IP44 Plug and unplug durability: 1700Cycles</p> <p>Flame retardant level: VW-1/UL94V-0 Temperature resistance level: -40 ~ 105℃</p> <p>Wires comply with UL, 3C certification</p>
 <p>LP28(7+2)</p>	<p>Application: New energy</p> <p>Rated current 1.2A, working voltage 42V/AC, contact resistance < 40mΩ</p> <p>Waterproof level: IP67 Plug durability:500Cycles</p> <p>Flame retardant level: VW-1/UL94V-0 Temperature resistance level: -40 ~ 85℃</p> <p>Wirecomply with UL certification</p>
 <p>DH24(4+4)</p>	<p>Application: Mechanical equipment</p> <p>Rated current 20A+5A, working voltage 400V/AC, contact resistance < 5mΩ</p> <p>Waterproof level: IP67 Plug durability:1700Cycles</p> <p>Flame retardant level: VW-1/UL94V-0 Temperature resistance level: -40 ~ 85℃</p> <p>Wirecomply with UL certification</p>
 <p>LP20(2+6)</p>	<p>Application: Medical equipment, photographic equipment, garden machinery</p> <p>Rated current 25A (current) + 2A (signal),</p> <p>Working voltage 300V/AC, contact resistance < 10mΩ</p> <p>Waterproof level: IP67 Temperature rise < 30℃</p> <p>Plug and unplug durability: 1700Cycles Flame retardant level: VW-1/UL94V-0</p> <p>Temperature resistance level: -40 ~ 80℃ Wirecomply with UL certification</p>

For more customization requirements of application scenarios, please log in to CNLINKO's official website www.cnlinko.com to contact online customer service, CNLINKO can provide you with one-stop professional services according to your needs Customized service.

PROFESSIONAL CUSTOMIZED SERVICE OF WIRE HARNESS WITH WATERPROOF CONNECTOR

Cnlinko is aware of the market trend and is looking forward to the professional customized business of waterproof industrial connector wire harness. Relying on cnlinko's professional product development team and flexible, large-scale and intelligent production line production capacity, which can respond to the customized order needs of a large number of users in real time, providing users with efficient, satisfactory and professional wire harness customization services, and help more industries and more application scenarios to achieve highly compatible professional connections.



Harness and connector customization

Harness and connector customization

Harness and connector customization

Harness and connector customization